

# STR-DA2ES/DB1080

## SERVICE MANUAL

Ver 1.1 2003.07

US Model  
Canadian Model  
STR-DA2ES  
AEP Model  
UK Model  
E Model  
STR-DB1080



Photo: STR-DA2ES

This receiver incorporates Dolby\* Digital and Pro Logic Surround and the DTS\*\* Digital Surround System.

\* Manufactured under license from Dolby Laboratories.

"Dolby", "Pro Logic" and the double-D symbol are trademarks of Dolby Laboratories.

\*\* "DTS", "DTS-ES Extended Surround" and "Neo:6" are trademarks of Digital Theater Systems, Inc.

### SPECIFICATIONS

#### AUDIO POWER SPECIFICATIONS

##### POWER OUTPUT AND TOTAL HARMONIC DISTORTION: (Models of area code U only)

With 8 ohm loads, both channels driven, from 20 – 20,000 Hz; rated 100 watts per channel minimum RMS power, with no more than 0.09 % total harmonic distortion from 250 milliwatts to rated output.

##### Amplifier section

##### POWER OUTPUT

##### Models of area code U, CA

##### Rated Power Output at Stereo Mode

(8 ohms 20 Hz – 20 kHz, THD 0.09 %) 100 W + 100 W  
(4 ohms 20 Hz – 20 kHz, THD 0.09 %) 80 W + 80 W

##### Reference Power Output

(8 ohms 20 Hz – 20 kHz, THD 0.09 %) FRONT<sup>1)</sup>: 100 W + 100 W  
CENTER<sup>1)</sup>: 100 W  
SURR<sup>1)</sup>: 100 W + 100 W  
SURR BACK<sup>1)</sup>: 100 W  
(4 ohms 20 Hz – 20 kHz, THD 0.09 %) FRONT<sup>1)</sup>: 80 W + 80 W  
CENTER<sup>1)</sup>: 80 W  
SURR<sup>1)</sup>: 80 W + 80 W  
SURR BACK<sup>1)</sup>: 80 W

##### Models of other area code

##### Rated Power Output at Stereo Mode

(8 ohms 1 kHz, THD 0.7 %) 100 W + 100 W<sup>2)</sup>  
(4 ohms 1 kHz, THD 0.7 %) 90 W + 90 W<sup>2)</sup>

##### Reference Power Output<sup>2)</sup>

(8 ohms 1 kHz, THD 0.7 %) FRONT<sup>1)</sup>: 100 W + 100 W  
CENTER<sup>1)</sup>: 100 W  
SURR<sup>1)</sup>: 100 W + 100 W  
SURR BACK<sup>1)</sup>: 100 W  
(4 ohms 1 kHz, THD 0.7 %) FRONT<sup>1)</sup>: 90 W + 90 W  
CENTER<sup>1)</sup>: 90 W  
SURR<sup>1)</sup>: 90 W + 90 W  
SURR BACK<sup>1)</sup>: 90 W  
(8 ohms 20 Hz – 20 kHz, THD 0.09 %) FRONT<sup>1)</sup>: 90 W + 90 W  
CENTER<sup>1)</sup>: 90 W  
SURR<sup>1)</sup>: 90 W + 90 W  
SURR BACK<sup>1)</sup>: 90 W  
(4 ohms 20 Hz – 20 kHz, THD 0.09 %) FRONT<sup>1)</sup>: 80 W + 80 W  
CENTER<sup>1)</sup>: 80 W  
SURR<sup>1)</sup>: 80 W + 80 W  
SURR BACK<sup>1)</sup>: 80 W

1) Depending on the sound field settings and the source, there may be no sound output

2) Measured under the following conditions:

| Area code        | Power requirements |
|------------------|--------------------|
| E                | 240 V AC, 50 Hz    |
| SP, CEL, CEK, KR | 230 V AC, 50 Hz    |

##### Frequency response

|   |  |
|---|--|
| PHONO   | RIAA equalization curve<br>±0.5 dB                                   |
| CD/SACD, TAPE,<br>MD/DAT, TV/SAT,<br>DVD/LD, VIDEO 1, 2,<br>3 | 10 Hz – 100 kHz<br>+0.5/-2 dB (when<br>ANALOG DIRECT is<br>selected) |

##### Inputs (Analog)

|  |   |
|--|---|
| PHONO  | Sensitivity: 2.5 mV<br>Impedance: 50 kilohms<br>S/N <sup>3)</sup> : 86 dB (A, 2.5 mV <sup>4)</sup> )    |
| MULTI CH IN 1, 2,<br>CD/SACD, TAPE,<br>MD/DAT, DVD/LD,<br>TV/SAT, VIDEO 1, 2,<br>3 | Sensitivity: 150 mV<br>Impedance: 50 kilohms<br>S/N <sup>3)</sup> : 96 dB<br>(A, 150 mV <sup>4)</sup> ) |

3) INPUT SHORT

4) Weighted network, input level

– Continued on next page –

## FM STEREO FM-AM RECEIVER

9-874-061-02  
2003G05-1  
© 2003.07

Sony Corporation  
Home Audio Company  
Published by Sony Engineering Corporation

# SONY®

# STR-DA2ES/DB1080

## Inputs (Digital)

|  |  |
|--|--|
| DVD/LD (Coaxial)                               | Impedance: 75 ohms<br>S/N: 100 dB<br>(A, 20 kHz LPF) |
| DVD/LD, TV/SAT,<br>MD/DAT, VIDEO3<br>(Optical) | S/N: 100 dB<br>(A, 20 kHz LPF)                       |

## Outputs

|  |   |
|--|---|
| TAPE, MD/DAT<br>(REC OUT), VIDEO<br>1, 2 (AUDIO OUT)                   | Voltage: 150 mV<br>Impedance: 2.2 kilohms |
| FRONT L/R,<br>CENTER,<br>SURROUND L/R,<br>SURROUND BACK,<br>SUB WOOFER | Voltage: 2 V<br>Impedance: 1 kilohms      |

## EQ

|                               |                     |
|-------------------------------|---------------------|
| BASS:                         | 99 Hz~1.0 kHz       |
| MID (FRONT L/R, CENTER only): | 198 Hz~10 kHz       |
| TREBLE:                       | 1.0 kHz~10 kHz      |
| Gain levels:                  | ±10 dB, 0.5 dB step |

## FM tuner section

|                                     |                               |
|-------------------------------------|-------------------------------|
| <b>Tuning range</b>                 | 87.5 - 108.0 MHz              |
| <b>Antenna terminals</b>            | 75 ohms, unbalanced           |
| <b>Sensitivity</b>                  |                               |
| Mono:                               | 18.3 dBf, 2.2 µV/75 ohms      |
| Stereo:                             | 38.3 dBf, 22.5 µV/75 ohms     |
| <b>Usable sensitivity</b>           | 11.2 dBf, 1 µV/75 ohms        |
| <b>S/N</b>                          |                               |
| Mono:                               | 76 dB                         |
| Stereo:                             | 70 dB                         |
| <b>Harmonic distortion at 1 kHz</b> |                               |
| Mono:                               | 0.3%                          |
| Stereo:                             | 0.5%                          |
| <b>Separation</b>                   | 45 dB at 1 kHz                |
| <b>Frequency response</b>           | 30 Hz - 15 kHz,<br>+0.5/-2 dB |
| <b>Selectivity</b>                  | 60 dB at 400 kHz              |

## AM tuner section

**Tuning range**  
**Models of area code U, CA**  
 With 10-kHz tuning scale: 530 - 1,710 kHz<sup>5)</sup>  
 With 9-kHz tuning scale: 531 - 1,710 kHz<sup>5)</sup>  
**Models of area code E**  
 With 10-kHz tuning scale: 530 - 1,610 kHz<sup>5)</sup>  
 With 9-kHz tuning scale: 531 - 1,602 kHz<sup>5)</sup>  
**Models of area code SP, CEL, CEK, KR**  
 With 9-kHz tuning scale: 531 - 1,602 kHz

|                            |                                   |
|----------------------------|-----------------------------------|
| <b>Antenna</b>             | Loop antenna                      |
| <b>Usable sensitivity</b>  | 50 dB/m (at 1,000 kHz or 999 kHz) |
| <b>S/N</b>                 | 54 dB (at 50 mV/m)                |
| <b>Harmonic distortion</b> | 0.5% (50 mV/m, 400 Hz)            |
| <b>Selectivity</b>         |                                   |
| At 9 kHz:                  | 35 dB                             |
| At 10 kHz:                 | 40 dB                             |

5) You can change the AM tuning scale to 9 kHz or 10 kHz. After tuning in any AM station, turn off the receiver. Hold down TUNING + and press I/⏏. All preset stations will be erased when you change the tuning scale. To reset the scale to 10 kHz (or 9 kHz), repeat the procedure.

## Video section

|  |  |
|--|--|
| <b>Inputs/Outputs</b>  |  |
| Video:   | 1 Vp-p, 75 ohms                              |
| S-video:   | Y: 1 Vp-p, 75 ohms<br>C: 0.286 Vp-p, 75 ohms |
| <b>COMPONENT VIDEO</b><br>(Except for models of area code CEL, CEK): |  |
| Y:   | 1 Vp-p, 75 ohms                              |
| B-Y:   | 0.7 Vp-p, 75 ohms                            |
| R-Y:   | 0.7 Vp-p, 75 ohms                            |

## General

### Power requirements

| Area code | Power requirements         |
|-----------|----------------------------|
| U, CA     | 120 V AC, 60 Hz            |
| CEL, CEK  | 230 V AC, 50/60 Hz         |
| SP        | 220 - 230 V AC, 50/60 Hz   |
| E         | 120/220/240 V AC, 50/60 Hz |
| KR        | 220 - 230 V AC, 60 Hz      |

## Power consumption

| Area code | Power consumption |
|-----------|-------------------|
| U         | 290 W             |
| CA        | 340 VA            |
| CEL, CEK  | 300 W             |
| SP, E, KR | 300 W             |

### Power consumption (during standby mode)

0.8 W (when "POWER SAVE" in the CUSTOMIZE menu is set to "OFF")/0.5 W ("ON")

## AC outlets

| Area code    | AC outlets               |
|--------------|--------------------------|
| U, CA        | 2 switched, 120 W/1A MAX |
| SP, CEL, CEK | 1 switched, 100 W MAX    |
| E            | 2 switched, 100 W MAX    |

## Dimensions

430 × 161 × 400 mm  
including projecting parts and controls

## Mass (Approx.)

13.3 kg

## Supplied accessories

FM wire antenna (1)  
 AM loop antenna (1)  
 Models of area code U, CA:  
 Audio/video/control S cord (1)  
 Control S cord (mini jack) (1)  
 Remote commander RM-PG411 (1)  
 R6 (size-AA) batteries (2)  
 Models of other area codes:  
 Remote commander RM-LP211 (1)  
 R6 (size-AA) batteries (3)

Design and specifications are subject to change without notice.

**Notes on chip component replacement**

- Never reuse a disconnected chip component.
- Notice that the minus side of a tantalum capacitor may be damaged by heat.

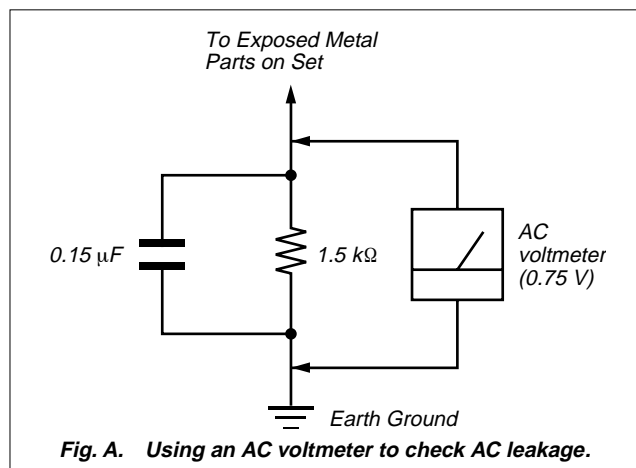
**SAFETY CHECK-OUT**

After correcting the original service problem, perform the following safety check before releasing the set to the customer: Check the antenna terminals, metal trim, “metallized” knobs, screws, and all other exposed metal parts for AC leakage. Check leakage as described below.

**LEAKAGE TEST**

The AC leakage from any exposed metal part to earth ground and from all exposed metal parts to any exposed metal part having a return to chassis, must not exceed 0.5 mA (500 microamperes.). Leakage current can be measured by any one of three methods.

1. A commercial leakage tester, such as the Simpson 229 or RCA WT-540A. Follow the manufacturers' instructions to use these instruments.
2. A battery-operated AC milliammeter. The Data Precision 245 digital multimeter is suitable for this job.
3. Measuring the voltage drop across a resistor by means of a VOM or battery-operated AC voltmeter. The “limit” indication is 0.75 V, so analog meters must have an accurate low-voltage scale. The Simpson 250 and Sanwa SH-63Trd are examples of a passive VOM that is suitable. Nearly all battery operated digital multimeters that have a 2 V AC range are suitable. (See Fig. A)



**Fig. A.** Using an AC voltmeter to check AC leakage.

**SAFETY-RELATED COMPONENT WARNING!!**

COMPONENTS IDENTIFIED BY MARK  $\triangle$  OR DOTTED LINE WITH MARK  $\triangle$  ON THE SCHEMATIC DIAGRAMS AND IN THE PARTS LIST ARE CRITICAL TO SAFE OPERATION. REPLACE THESE COMPONENTS WITH SONY PARTS WHOSE PART NUMBERS APPEAR AS SHOWN IN THIS MANUAL OR IN SUPPLEMENTS PUBLISHED BY SONY.

**ATTENTION AU COMPOSANT AYANT RAPPORT À LA SÉCURITÉ!**

LES COMPOSANTS IDENTIFIÉS PAR UNE MARQUE  $\triangle$  SUR LES DIAGRAMMES SCHÉMATIQUES ET LA LISTE DES PIÈCES SONT CRITIQUES POUR LA SÉCURITÉ DE FONCTIONNEMENT. NE REMPLACER CES COMPOSANTS QUE PAR DES PIÈCES SONY DONT LES NUMÉROS SONT DONNÉS DANS CE MANUEL OU DANS LES SUPPLÉMENTS PUBLIÉS PAR SONY.

## TABLE OF CONTENTS

|  |    |   |    |
|--|----|---|----|
| <b>1. SERVICING NOTES</b> .....                                      | 5  | 6-35. IC Pin Function Description ..... | 58 |
| <b>2. GENERAL</b> .....  | 6  | <b>7. EXPLODED VIEWS</b>                |    |
| <b>3. DISASSEMBLY</b>  |    | 7-1. Case Section .....                 | 70 |
| 3-1. Disassembly Flow .....  | 7  | 7-2. Front Panel Section-1 .....        | 71 |
| 3-2. Case (414535) .....   | 8  | 7-3. Front Panel Section-2 .....        | 72 |
| 3-3. S-VIDEO board, VIDEO Board,<br>UP CONVERT Board and Tuner ..... | 8  | 7-4. Chassis Section-1 .....            | 73 |
| 3-4. VIDEO.AU Board .....  | 9  | 7-5. Chassis Section-2 .....            | 74 |
| 3-5. DIGITAL Board .....   | 9  | 7-6. Chassis Section-3 .....            | 75 |
| 3-6. MAIN Board, MIX Board .....                                     | 10 | 7-7. Chassis Section-4 .....            | 76 |
| <b>4. TEST MODE</b> .....  | 11 | 7-8. BIAS Board Section .....           | 77 |
| <b>5. ELECTRICAL ADJUSTMENT</b> .....                                | 12 | 7-9. MAIN Board Section .....           | 78 |
| <b>6. DIAGRAMS</b>   |    | 7-10. Foot Section .....                | 79 |
| 6-1. Block Diagram   |    | <b>8. ELECTRICAL PARTS LIST</b> .....   | 80 |
| – TUNER/VIDEO INPUT Section – .....                                  | 13 |   |    |
| 6-2. Block Diagram – AUDIO DSP Section – .....                       | 14 |   |    |
| 6-3. Block Diagram – AUDIO CONTROL Section – .....                   | 15 |   |    |
| 6-4. Block Diagram – POWER AMP Section – .....                       | 16 |   |    |
| 6-5. Block Diagram   |    |   |    |
| – DISPLAY/KEY CONTROL Section – .....                                | 17 |   |    |
| 6-6. Block Diagram – POWER SUPPLY Section – .....                    | 18 |   |    |
| 6-7. Note for Printed Wiring Boards<br>and Schematic Diagrams .....  | 19 |   |    |
| 6-8. Schematic Diagram   |    |   |    |
| – DIGITAL (1/5)/V3-OPT Boards – .....                                | 21 |   |    |
| 6-9. Schematic Diagram – DIGITAL Board (2/5) – .....                 | 22 |   |    |
| 6-10. Schematic Diagram – DIGITAL Board (3/5) – .....                | 23 |   |    |
| 6-11. Schematic Diagram – DIGITAL Board (4/5) – .....                | 24 |   |    |
| 6-12. Schematic Diagram – DIGITAL Board (5/5) – .....                | 25 |   |    |
| 6-13. Printed Wiring Board   |    |   |    |
| – DIGITAL Board (Component Side) – .....                             | 26 |   |    |
| 6-14. Printed Wiring Boards  |    |   |    |
| – DIGITAL (Conductor Side)/V3-OPT Boards – .....                     | 27 |   |    |
| 6-15. Printed Wiring Board – VIDEO Board – .....                     | 28 |   |    |
| 6-16. Schematic Diagram – VIDEO Board – .....                        | 29 |   |    |
| 6-17. Printed Wiring Boards  |    |   |    |
| – S-VIDEO/VIDEO 3/VIDEO.AU Boards – .....                            | 30 |   |    |
| 6-18. Schematic Diagram  |    |   |    |
| – S-VIDEO/VIDEO 3/VIDEO.AU Boards – .....                            | 31 |   |    |
| 6-19. Printed Wiring Board – UP CONVERT Board – .....                | 32 |   |    |
| 6-20. Schematic Diagram – UP CONVERT Board – .....                   | 33 |   |    |
| 6-21. Printed Wiring Board – MAIN Board – .....                      | 34 |   |    |
| 6-22. Schematic Diagram – MAIN Board (1/3) – .....                   | 35 |   |    |
| 6-23. Schematic Diagram – MAIN Board (2/3) – .....                   | 36 |   |    |
| 6-24. Schematic Diagram – MAIN Board (3/3) – .....                   | 37 |   |    |
| 6-25. Printed Wiring Boards – BIAS/MIX Boards – .....                | 38 |   |    |
| 6-26. Schematic Diagram – BIAS/MIX Boards – .....                    | 39 |   |    |
| 6-27. Printed Wiring Boards – H.P/SP/SP-B Boards – .....             | 40 |   |    |
| 6-28. Schematic Diagram – H.P/SP/SP-B Boards – .....                 | 41 |   |    |
| 6-29. Printed Wiring Board – DISPLAY Board – .....                   | 42 |   |    |
| 6-30. Schematic Diagram – DISPLAY Board – .....                      | 43 |   |    |
| 6-31. Printed Wiring Boards  |    |   |    |
| – MUTING/POWER/SW Boards – .....                                     | 44 |   |    |
| 6-32. Schematic Diagram  |    |   |    |
| – MUTING/POWER/SW Boards – .....                                     | 45 |   |    |
| 6-33. Printed Wiring Boards  |    |   |    |
| – AC/DC 1/DC 2/V.SWITCH Boards – .....                               | 46 |   |    |
| 6-34. Schematic Diagram  |    |   |    |
| – AC/DC 1/DC 2/V.SWITCH Boards – .....                               | 47 |   |    |

## SECTION 1 SERVICING NOTES

### • MODEL IDENTIFICATION

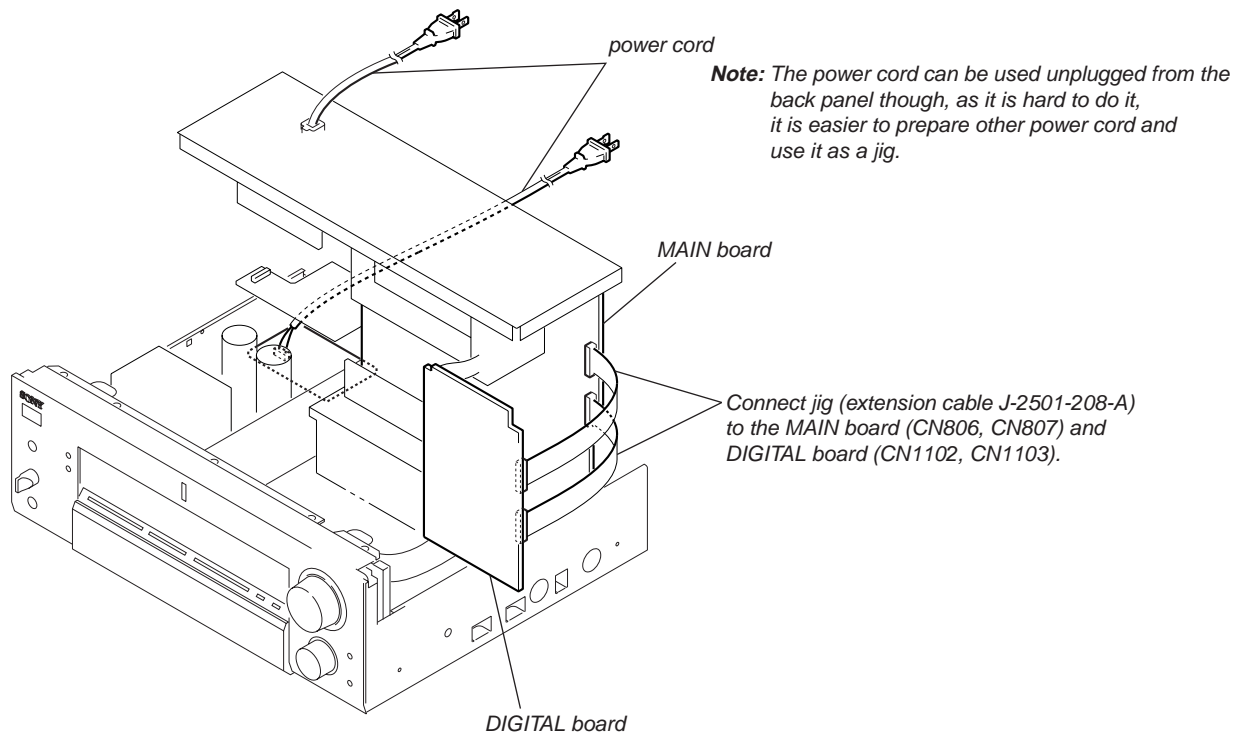
#### – Back Panel –



| Model                                  | PART No.     |
|--|--------------|
| DA2ES : US model                       | 4-239-175-0□ |
| DA2ES : Canadian model                 | 4-239-175-1□ |
| DB1080 : Singapore and Malaysia models | 4-239-175-2□ |
| DB1080 : AEP and UK models             | 4-239-175-3□ |
| DB1080 : E model                       | 4-239-175-4□ |
| DB1080 : Korean model                  | 4-239-175-5□ |

### SERVICE POSITION

In checking the DIGITAL board, prepare jig (extension cable J-2501-208-A: 200 mm 21 core).

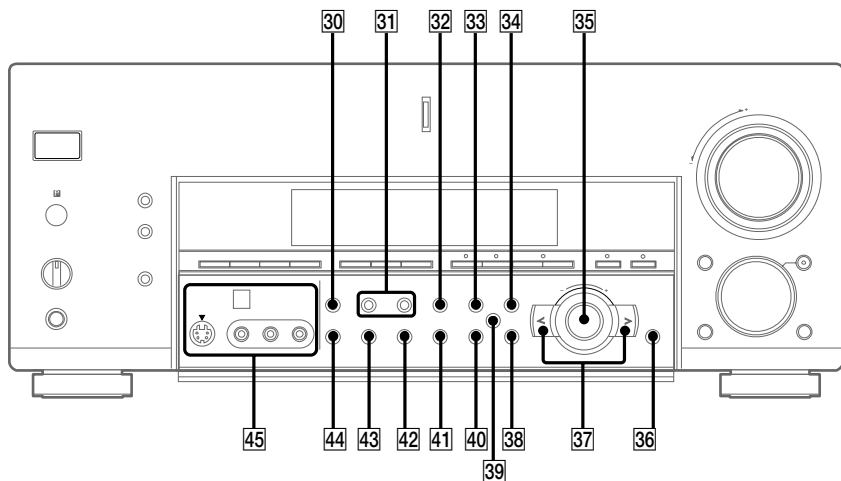
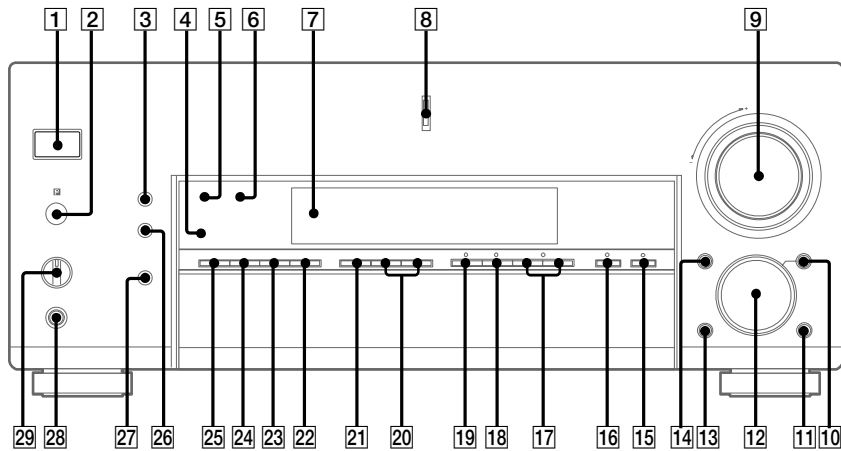


## SECTION 2 GENERAL

This section is extracted from  
instruction manual.

### LOCATION OF CONTROLS

– Front Panel –

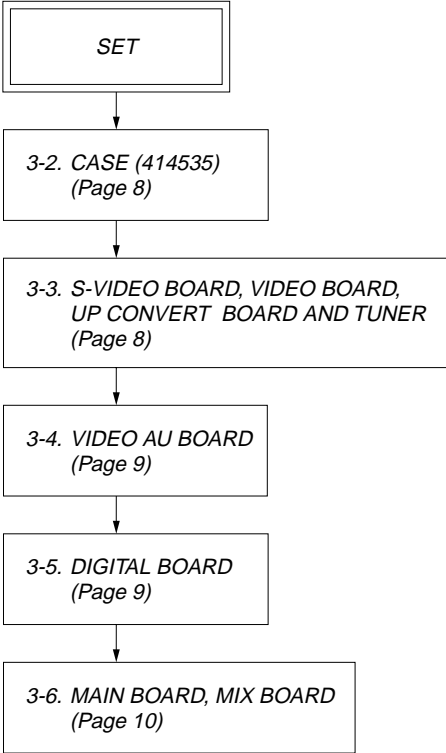


- |   |  |  |
|---|--|--|
| ANALOG DIRECT <b>16</b>                 | MASTER VOLUME <b>9</b>                       | SPEAKERS switch <b>29</b>                      |
| AUDIO SPLIT <b>10</b>                   | MEMORY <b>30</b>                             | SURR <b>39</b>                                 |
| AUTO DEC <b>19</b>                      | MODE +/- <b>17</b>                           | SURR BACK DECODING <b>24</b>                   |
| CINEMA STUDIO EX <b>23</b>              | MULTI CH DIRECT <b>15</b>                    | TEST TONE <b>42</b>                            |
| Cursor buttons (</>) <b>37</b>          | MULTI CHANNEL DECODING<br>indicator <b>8</b> | TUNING +/- <b>31</b>                           |
| CUSTOMIZE <b>40</b>                     | MUTING <b>11</b>                             | (Models of area code U, CA,<br>SP, KR, E only) |
| Digital Cinema Sound indicator <b>5</b> | NIGHT MODE <b>41</b>                         | TUNING/PTY SELECT +/- <b>31</b>                |
| DIGITAL CONCERT HALL <b>22</b>          | NIGHT MODE indicator <b>4</b>                | (Models of area code CEL, CEK<br>only)         |
| DIMMER <b>26</b>                        | NORMAL SURR<br>(DPLII/NEO 6) <b>25</b>       | VIDEO 3 INPUT jacks <b>45</b> (16)             |
| DISPLAY <b>3</b>                        | ON SCREEN <b>27</b>                          | 2CH STEREO <b>18</b>                           |
| Display <b>7</b>                        | PHONES jack <b>28</b>                        | 2ND ROOM <b>43</b> (58)                        |
| DOOR OPEN <b>14</b>                     | PRESET TUNING +/- <b>20</b>                  | (Models of area code U, CA<br>only)            |
| ENTER <b>36</b>                         | RDS PTY <b>43</b>                            | I/⏻ (power) <b>1</b>                           |
| EQ <b>38</b>                            | (Models of area code<br>CEL, CEK only)       |  |
| EQUALIZER <b>32</b>                     | SB DEC indicator <b>6</b>                    |  |
| FM/AM <b>21</b>                         | SET UP <b>33</b>                             |  |
| FM MODE <b>44</b>                       | SLEEP <b>43</b>                              |  |
| FUNCTION <b>12</b>                      | (Models of area code<br>SP, KR, E only)      |  |
| INPUT MODE <b>13</b>                    |  |  |
| IR receptor <b>2</b>                    |  |  |
| Jog dial <b>35</b>                      |  |  |
| LEVEL <b>34</b>                         |  |  |

# SECTION 3 DISASSEMBLY

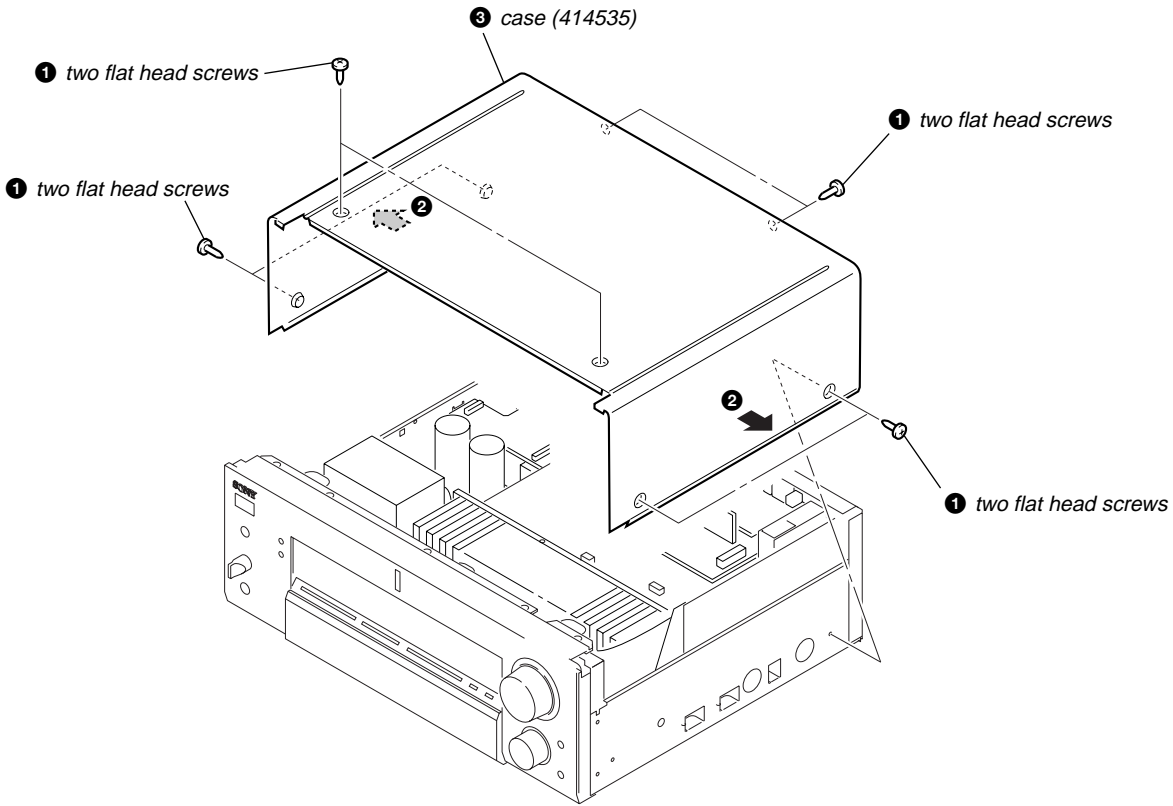
• This set can be disassembled in the order shown below.

## 3-1. DISASSEMBLY FLOW

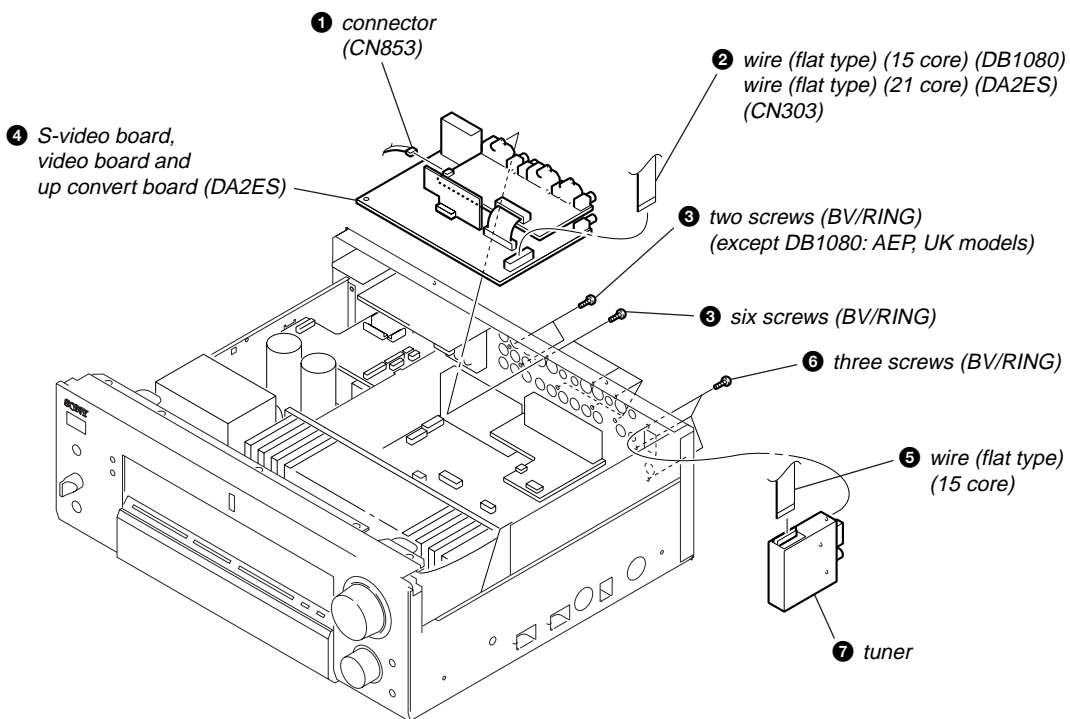


**Note:** Follow the disassembly procedure in the numerical order given.

**3-2. CASE (414535)**

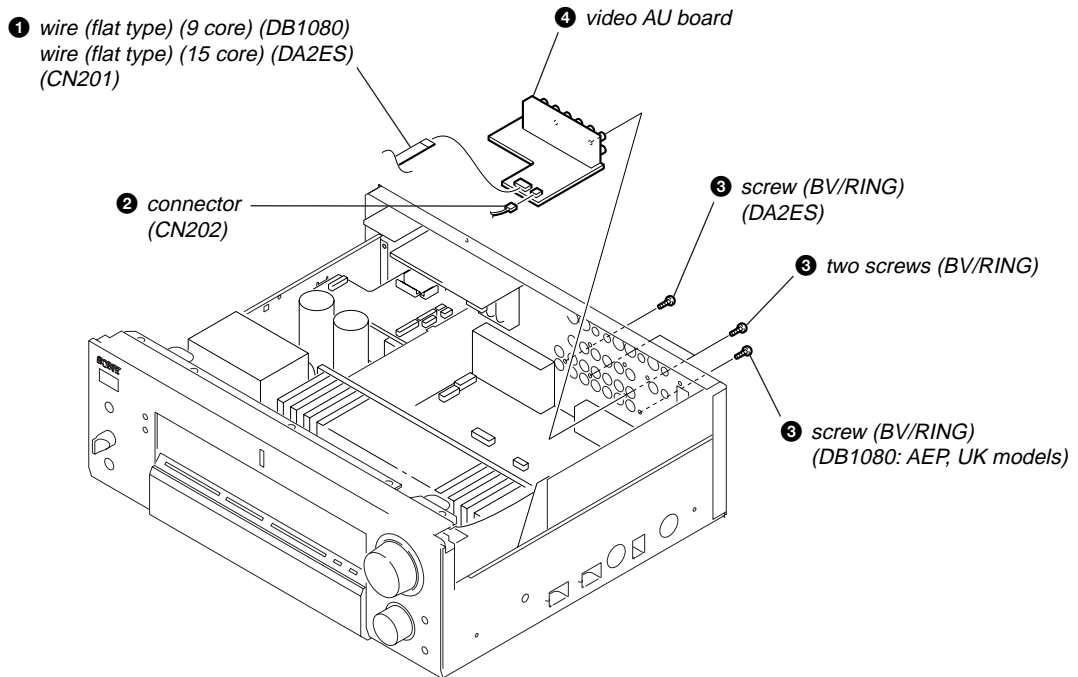


**3-3. S-VIDEO BOARD, VIDEO BOARD, UP CONVERT BOARD (DA2ES) AND TUNER**

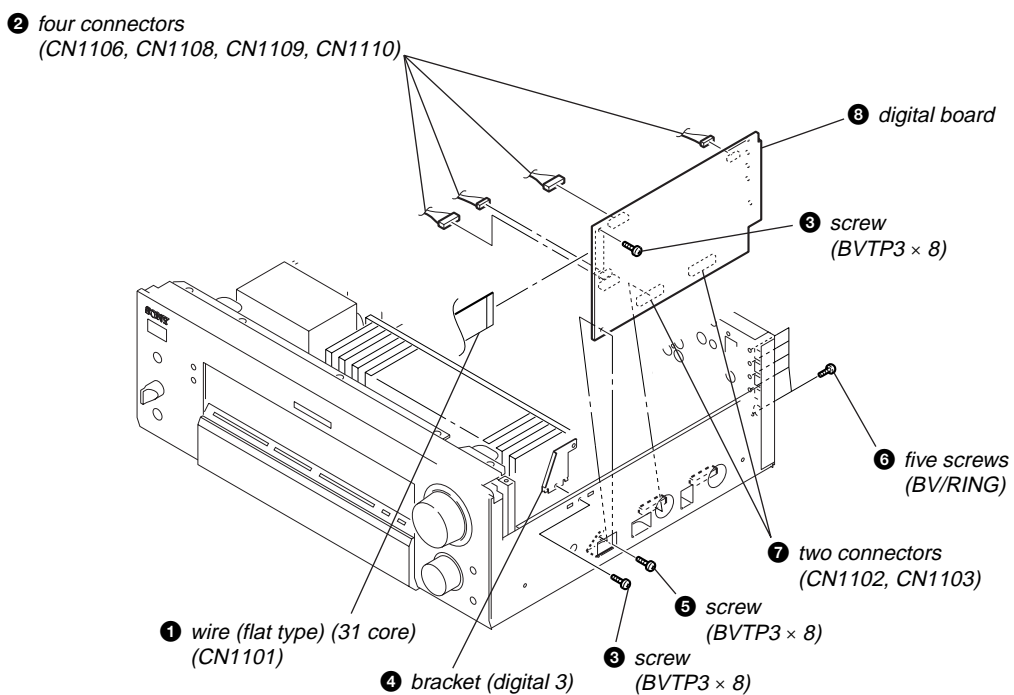




3-4. VIDEO.AU BOARD

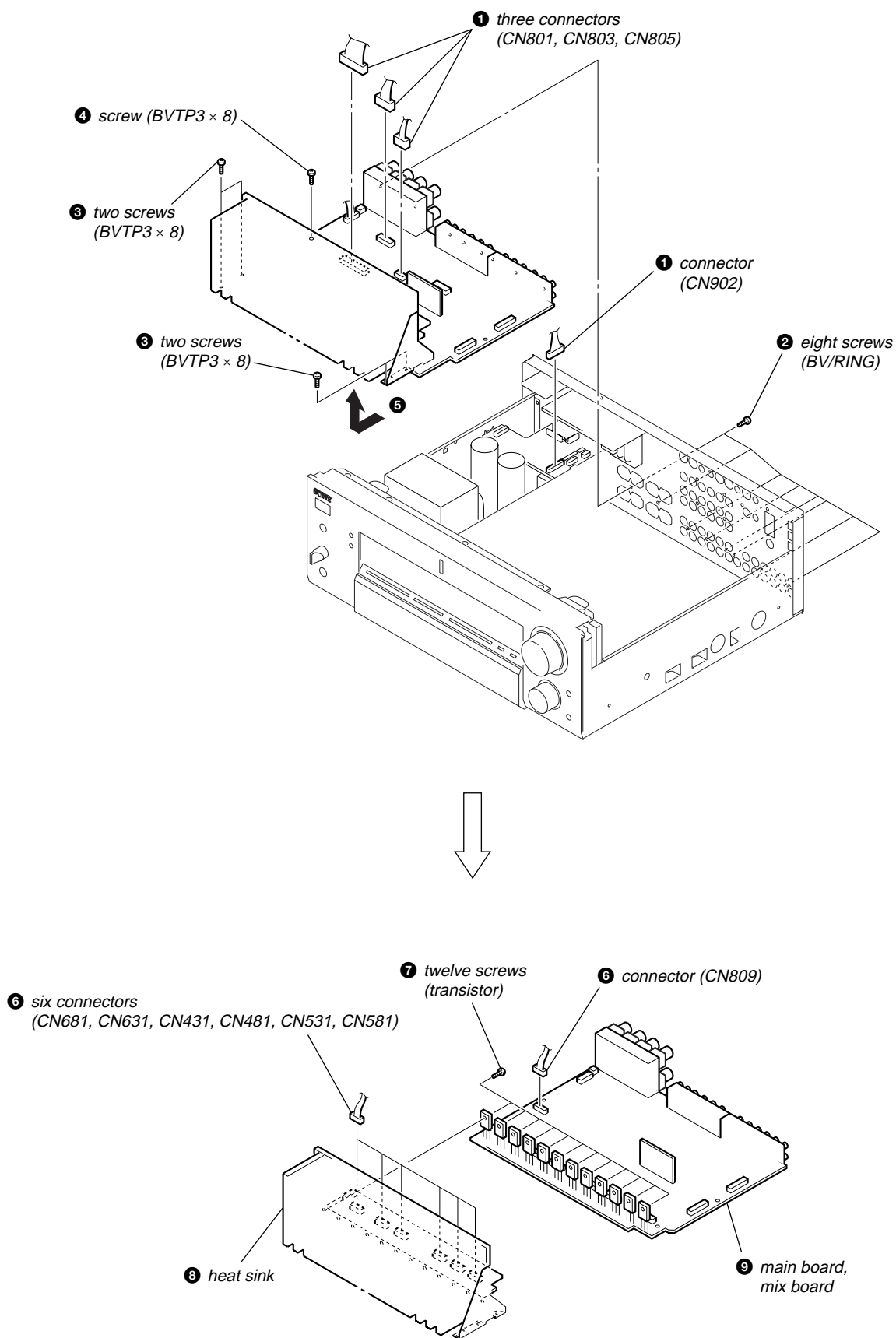


3-5. DIGITAL BOARD



**Note:** When installing the digital board (CN1101), connecting the wire (flat type) (31 core) to the digital board beforehand improves the operability.

3-6. MAIN BOARD, MIX BOARD



## SECTION 4 TEST MODE

### TUNER FACTORY PRESET MODE

All preset contents are reset to the default setting.

#### Procedure:

1. While pressing the **[DIMMER]** and **[SET UP]** buttons, press the **[I/⏻]** button to turn on the main power.
2. The message "TUNER FACTORY PRESET" appears and the present contents are reset to the default values.

### TUNER AM STEP CHANGE (9 kHz/10 kHz) MODE (Except STR-DB1080: AEP and UK models)

Either the 9 kHz step or 10 kHz step can be selected for the AM channel step.

#### Procedure:

1. While pressing the **[PRESET TUNING +]** or **[TUNING +]** button, press the **[I/⏻]** button to turn on the main power.
2. Either the message "AM 9 kHz Step" or "AM 10 kHz Step" appears. Select the desired step.

### TUNER AUTOBETICAL TUNING MODE (STR-DB1080: AEP and UK models)

#### Procedure:

1. While pressing the **[MEMORY]** button, press the **[I/⏻]** button to turn on the main power.
2. The message "Autobetel select" appears and scans and stores all the FM and FM RDS stations in the broadcast area.
3. When done, the message "Autobetel finished" appears.

### SOUND FIELD CLEAR MODE

The preset sound field is cleared when this mode is activated. Use this mode before returning the product to clients upon completion of repair.

#### Procedure:

1. While pressing the **[MODE +]** button, press the **[I/⏻]** button to turn on the main power.
2. The message "S.F Initialize" appears and initialization is performed.

### ALL CLEAR MODE

All preset contents are cleared when this mode is activated. Use this mode before returning the product to clients upon completion of repair.

#### Procedure:

1. While pressing the **[AUTO DEC.]** and **[MODE +]** buttons, press the **[I/⏻]** button to turn on the main power.
2. The message "MEMORY CLEARED !" appears and the memories are reset to the default values.

### MENU EXPAND FOR DEBUG MODE

#### Procedure:

1. Press the **[I/⏻]** button to turn on the main power.
2. Press two buttons of **[CINEMA STUDIO EX]** and **[ENTER]** simultaneously.
3. The message "MENU SPECIALIZED !" appears and menu expand turn on.
4. Press two buttons of **[CINEMA STUDIO EX]** and **[ENTER]** simultaneously once again.
5. The message "MENU SPECIALIZED OFF" appears and menu expand turn off.

### FLUORESCENT INDICATOR TUBE PATTERN CHECK MODE

All fluorescent segments are tested. When this test is activated, all segments turn on at the same time, then each segment turns on one after another.

#### Procedure:

1. While pressing the **[DISPLAY]** and **[ENTER]** buttons, press the **[I/⏻]** button to turn on the main power.
2. All segments turn on at the same time.

### SWAP MODE

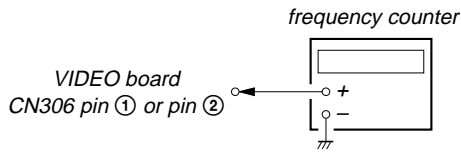
#### Procedure:

1. While pressing the **[DISPLAY]** and **[2CH ST]** buttons, press the **[I/⏻]** button to turn on the main power.
2. The message "SWAP MODE !" appears and swap mode turn on.

## SECTION 5 ELECTRICAL ADJUSTMENT

### OSD ADJUSTMENT

#### Connection



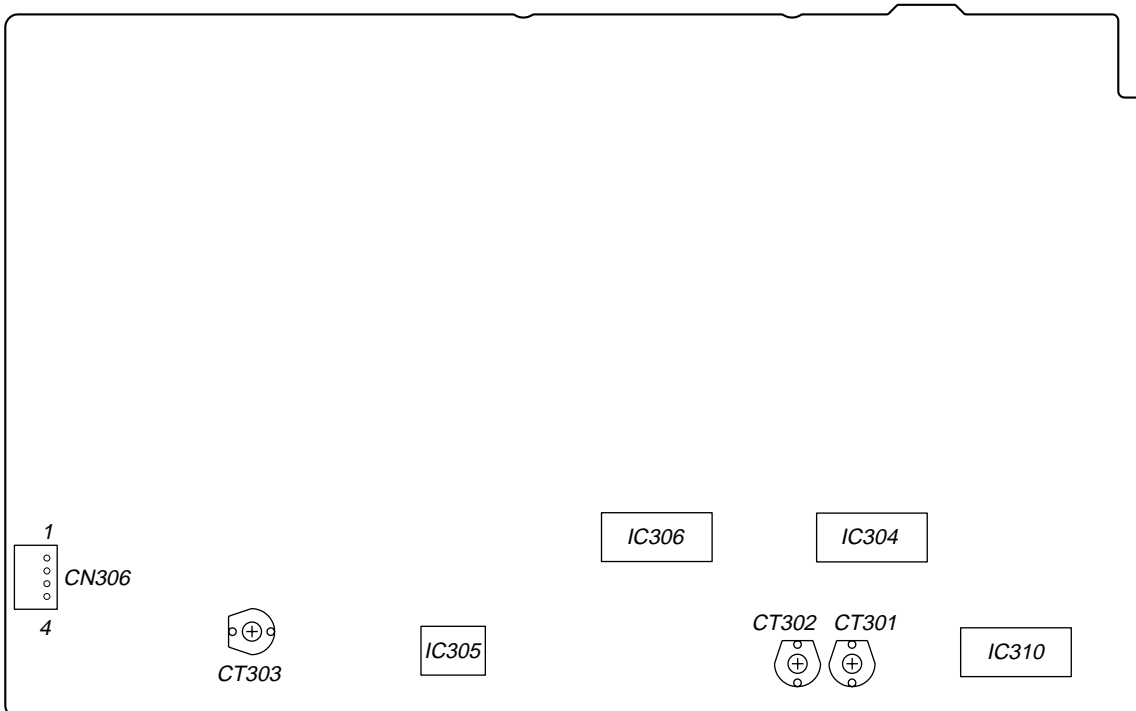
#### Procedure:

1. Short the CN306 pin ④ on the VIDEO board to the GND.
2. Connect a frequency counter to the CN306 pin ② on the VIDEO board.
3. Press the button to turn on the main power.
4. Press the **CUSTOMIZE** button.
5. Press the button to display "COLOR SYSTEM".
6. Turn the JOG DIAL to display "NTSC".
7. Press the button to display "OSD H.POSITION".
8. Adjust the CT302 so that the frequency counter reading is 3.57954 MHz.
9. Press the button to display "COLOR SYSTEM".
10. Turn the JOG DIAL to display "PAL".
11. Press the button to display "OSD H.POSITION".
12. Adjust the CT301 so that the frequency counter reading is 4.43361 MHz.
13. Press the button to turn off the main power.
14. Connect a frequency counter to the CN306 pin ① on the VIDEO board.
15. Press the button to turn on the main power.
16. Press the **CUSTOMIZE** button.
17. Press the button to display "OSD V.POSITION".
18. Adjust the CT303 so that the frequency counter reading is 7.20 MHz.

**Note:** The steps 5, 6 and 9 to 12 should be performed to the models except for the STR-DA2ES and STR-DB1080: Korean.

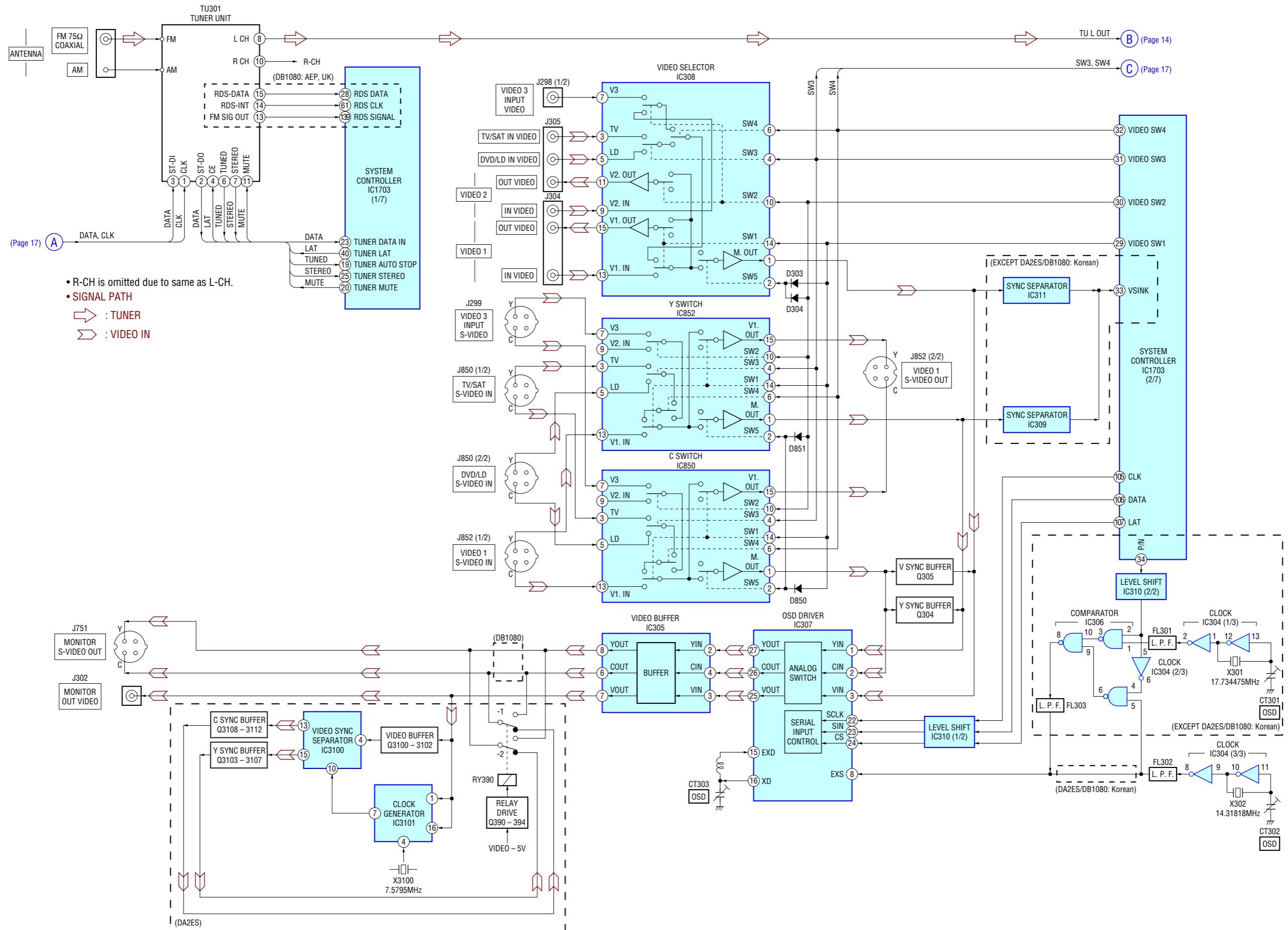
#### Adjustment and Connection Location:

#### – VIDEO BOARD (Component Side) –

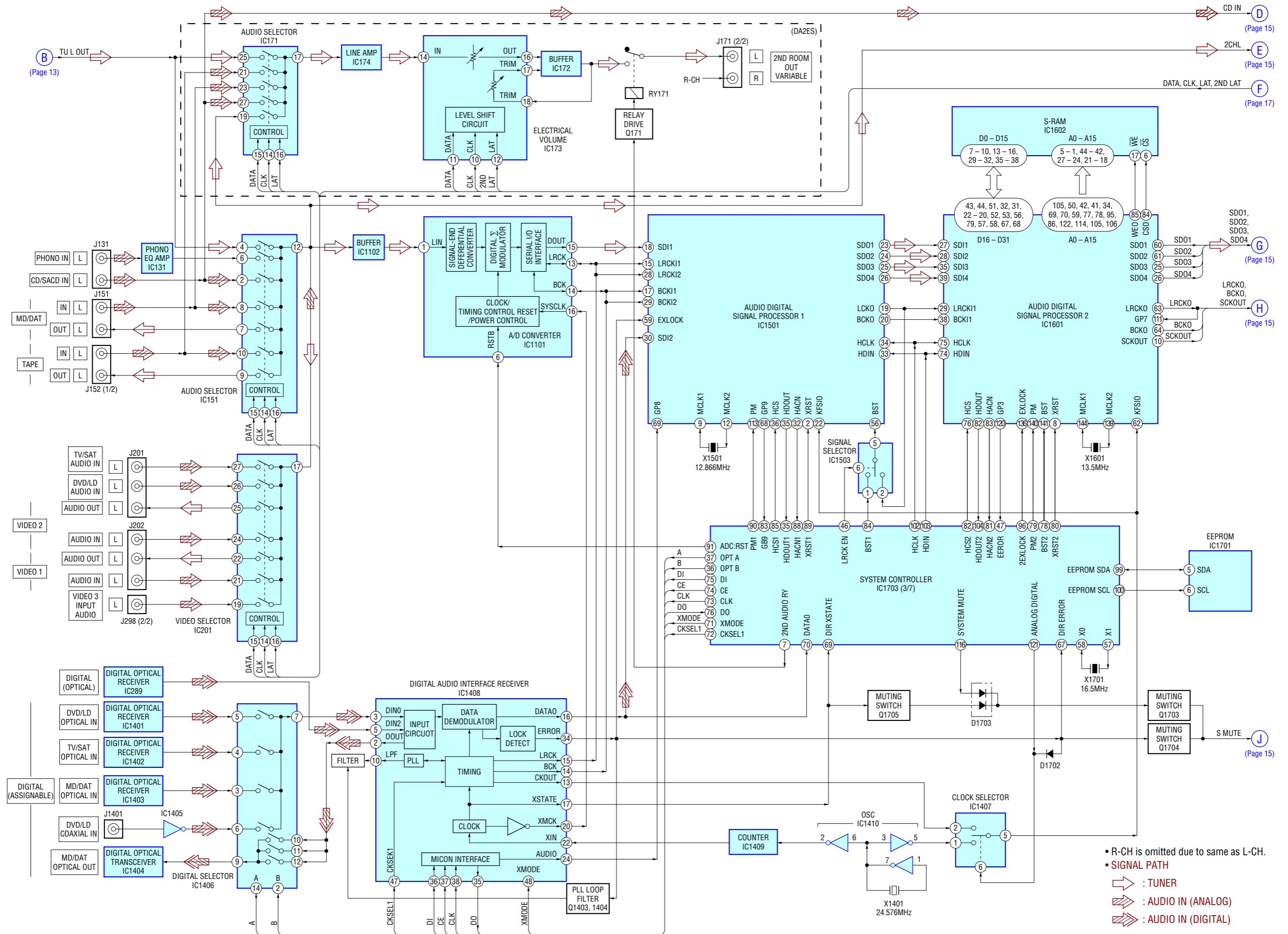


## SECTION 6 DIAGRAMS

### 6-1. BLOCK DIAGRAM – TUNER/VIDEO INPUT Section –

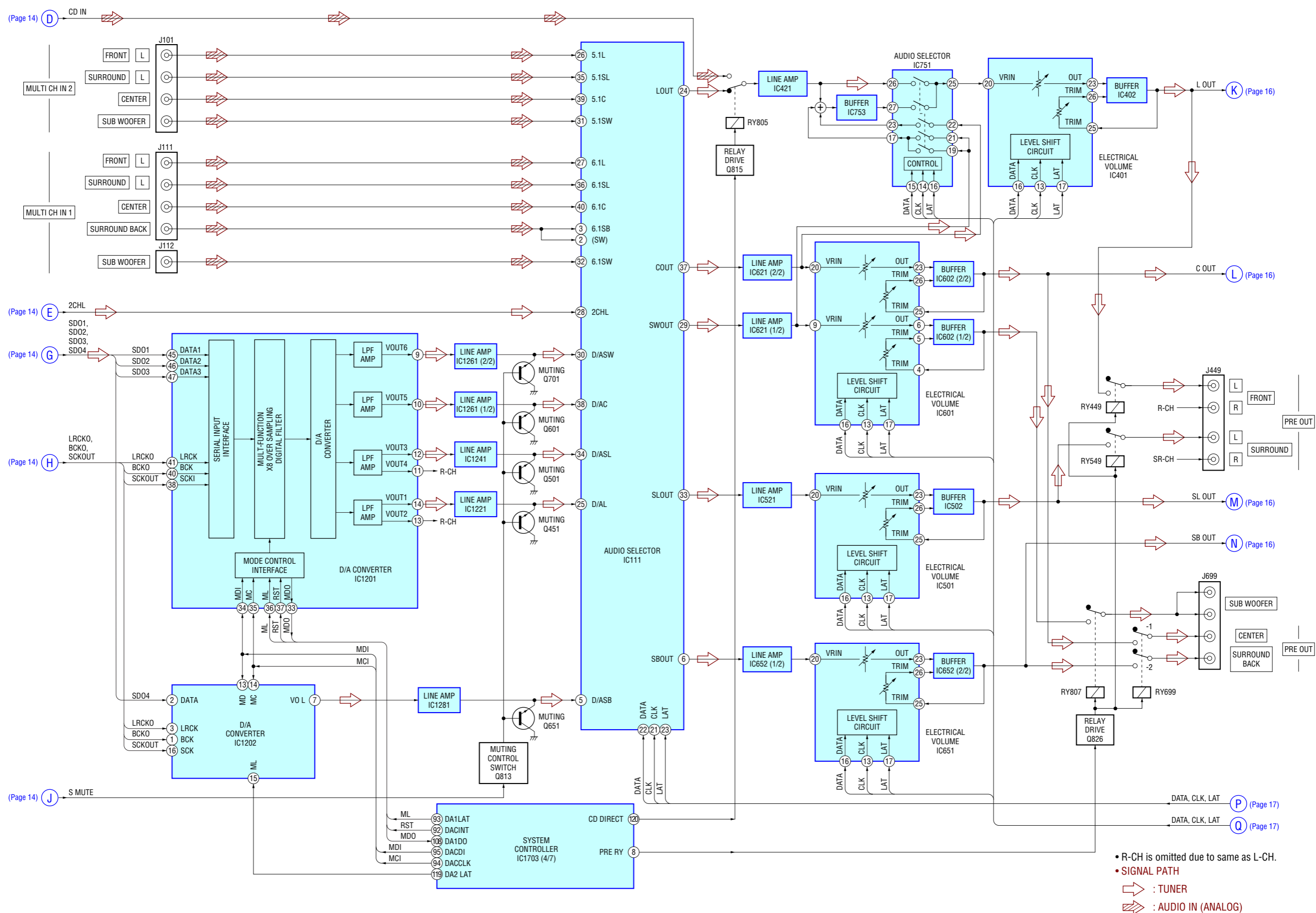


6-2. BLOCK DIAGRAM – AUDIO DSP Section –

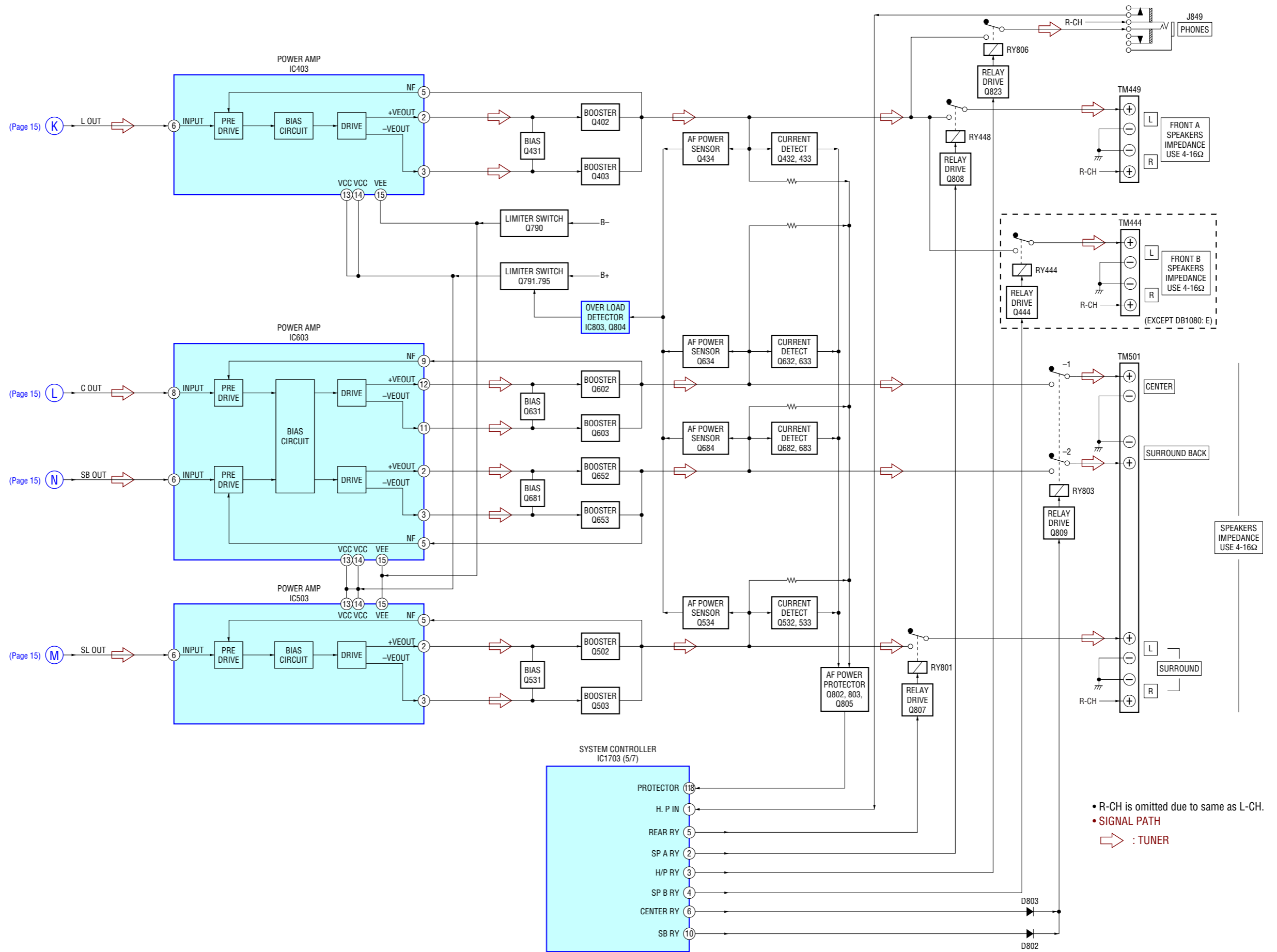


• R-CH is omitted due to same as L-CH.  
 • SIGNAL PATH  
 ↳ : TUNER  
 ↳ : AUDIO IN (ANALOG)  
 ↳ : AUDIO IN (DIGITAL)

6-3. BLOCK DIAGRAM – AUDIO CONTROL Section –

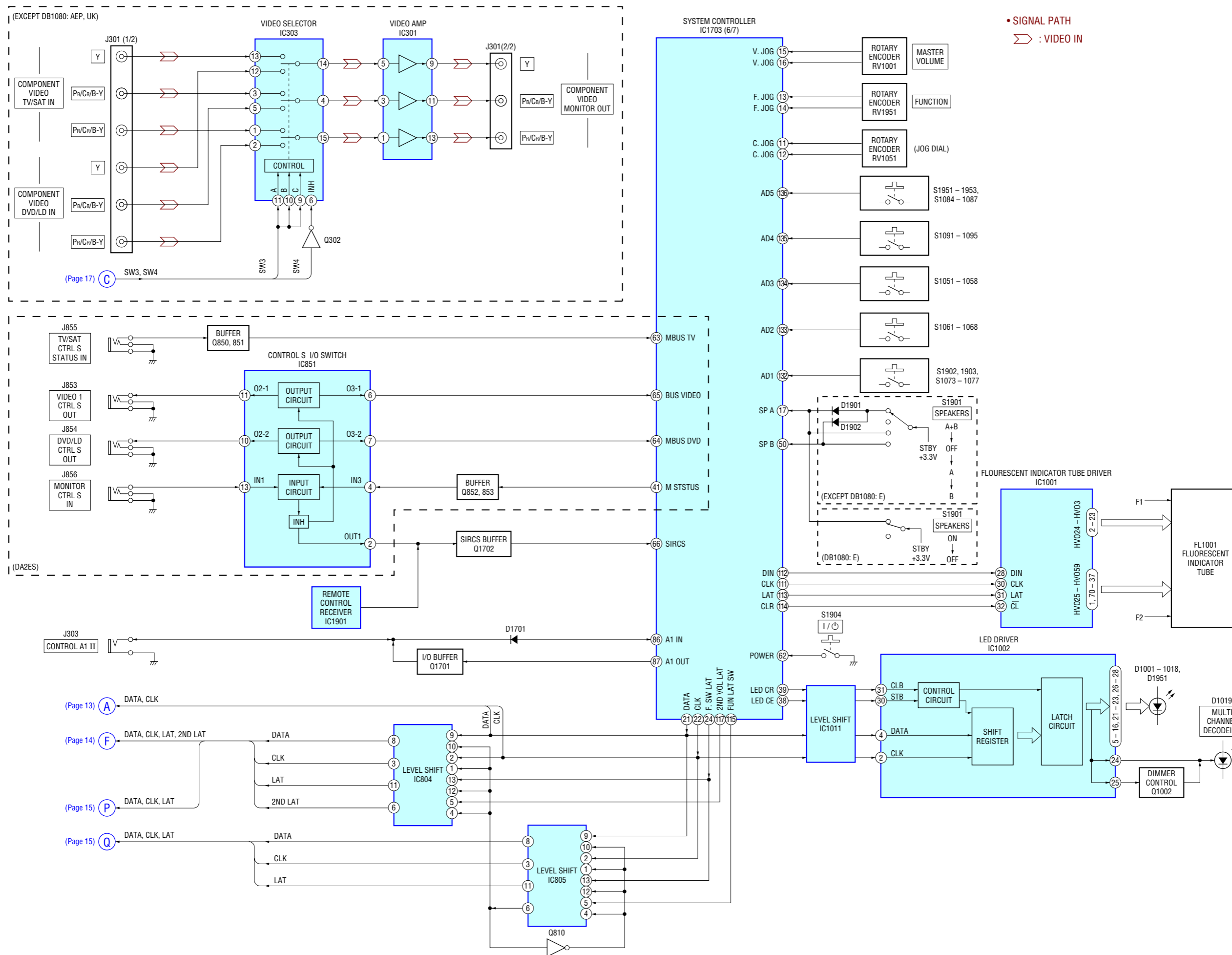


6-4. BLOCK DIAGRAM – POWER AMP Section –

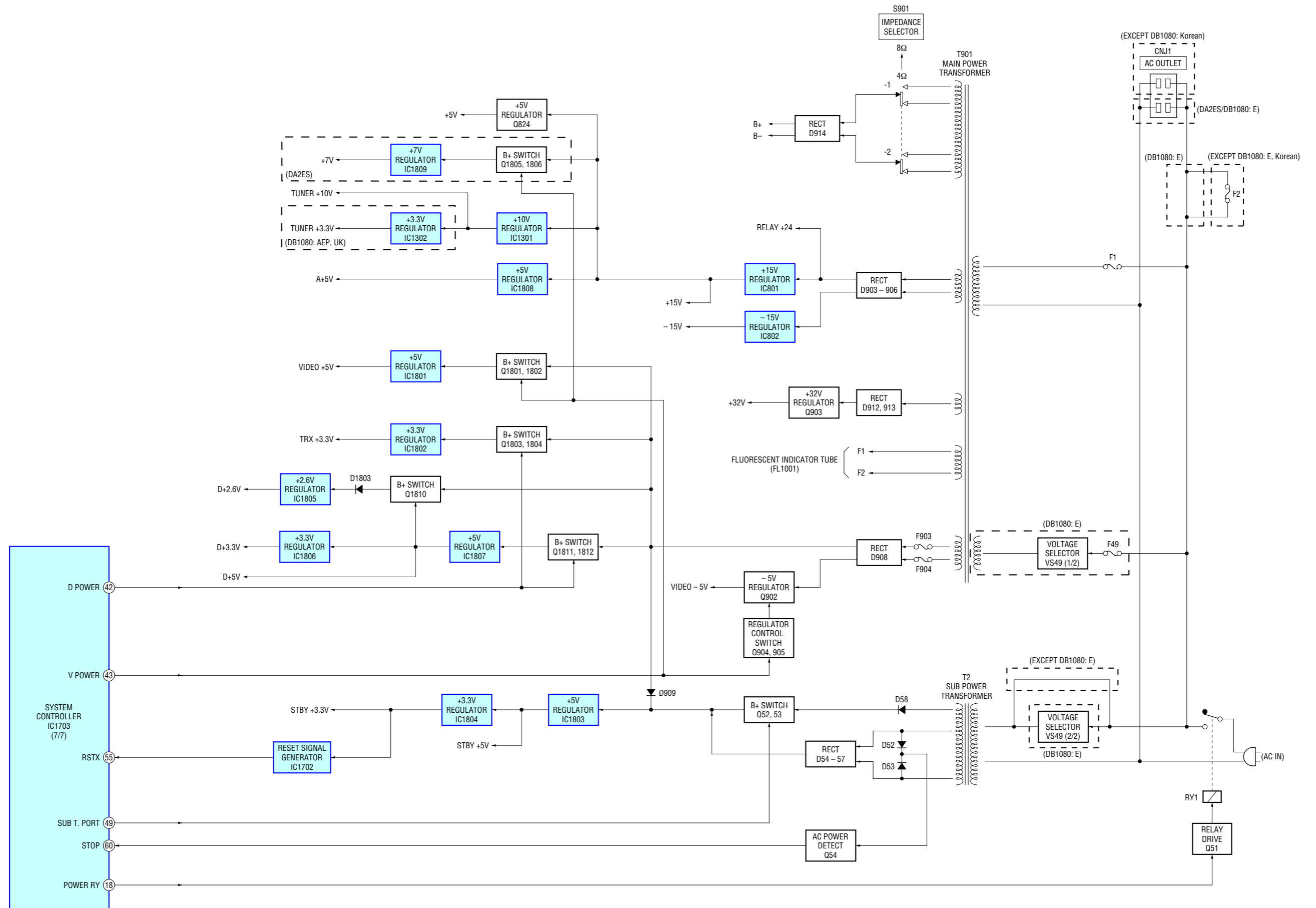




6-5. BLOCK DIAGRAM – DISPLAY/KEY CONTROL Section –



6-6. BLOCK DIAGRAM – POWER SUPPLY Section –



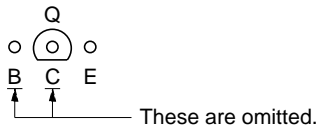
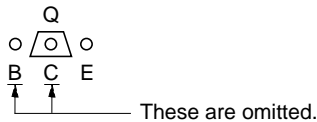
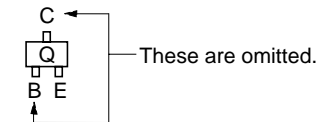
6-7. NOTE FOR PRINTED WIRING BOARDS AND SCHEMATIC DIAGRAMS

**Note on Printed Wiring Board:**

- — : parts extracted from the component side.
- : parts extracted from the conductor side.
- : Pattern from the side which enables seeing.  
(The other layers' patterns are not indicated.)

**Caution:**  
 Pattern face side: Parts on the pattern face side seen from the pattern face are indicated.  
 (Conductor Side)  
 Parts face side: Parts on the parts face side seen from the parts face are indicated.  
 (Component Side)

- Indication of transistor



**Note on Schematic Diagram:**

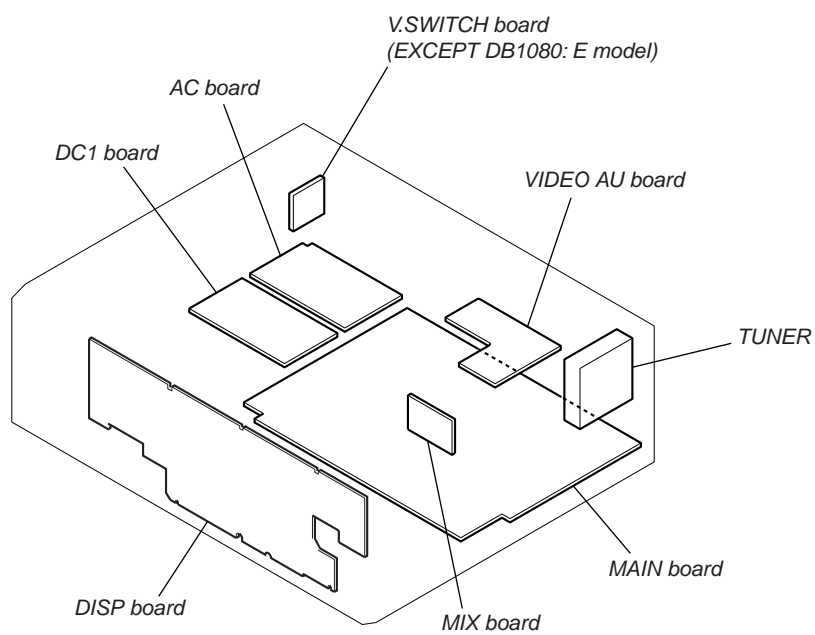
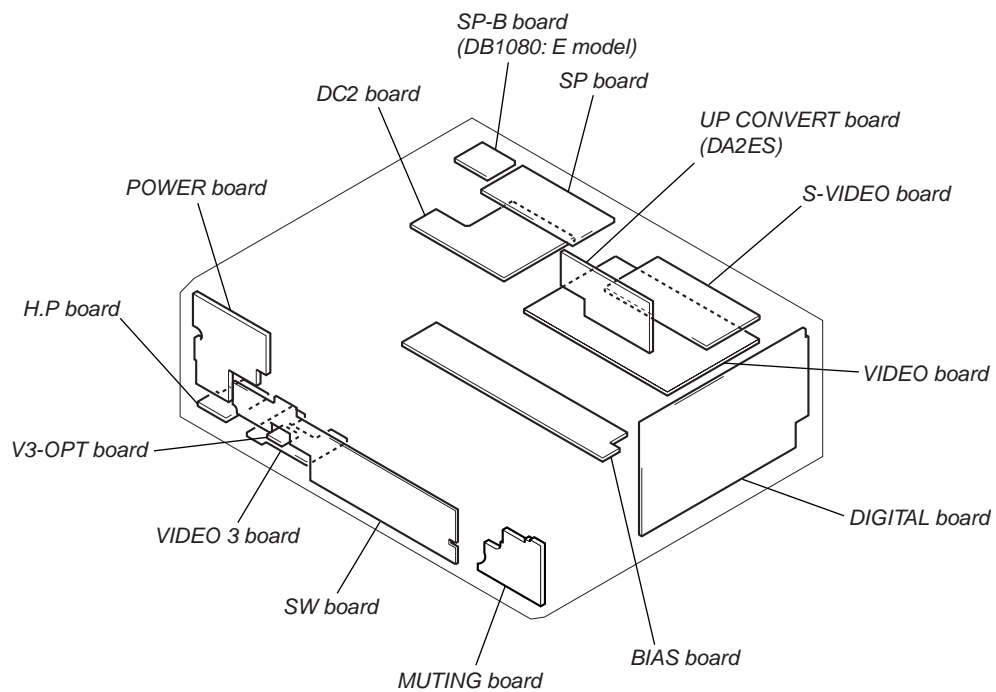
- All capacitors are in  $\mu\text{F}$  unless otherwise noted. pF:  $\mu\mu\text{F}$  50 WV or less are not indicated except for electrolytics and tantalums.
- All resistors are in  $\Omega$  and  $1/4\text{W}$  or less unless otherwise specified.
- $\Delta$  : internal component.
- : nonflammable resistor.
- : panel designation.

**Note:**  
 The components identified by mark  $\Delta$  or dotted line with mark  $\Delta$  are critical for safety. Replace only with part number specified.

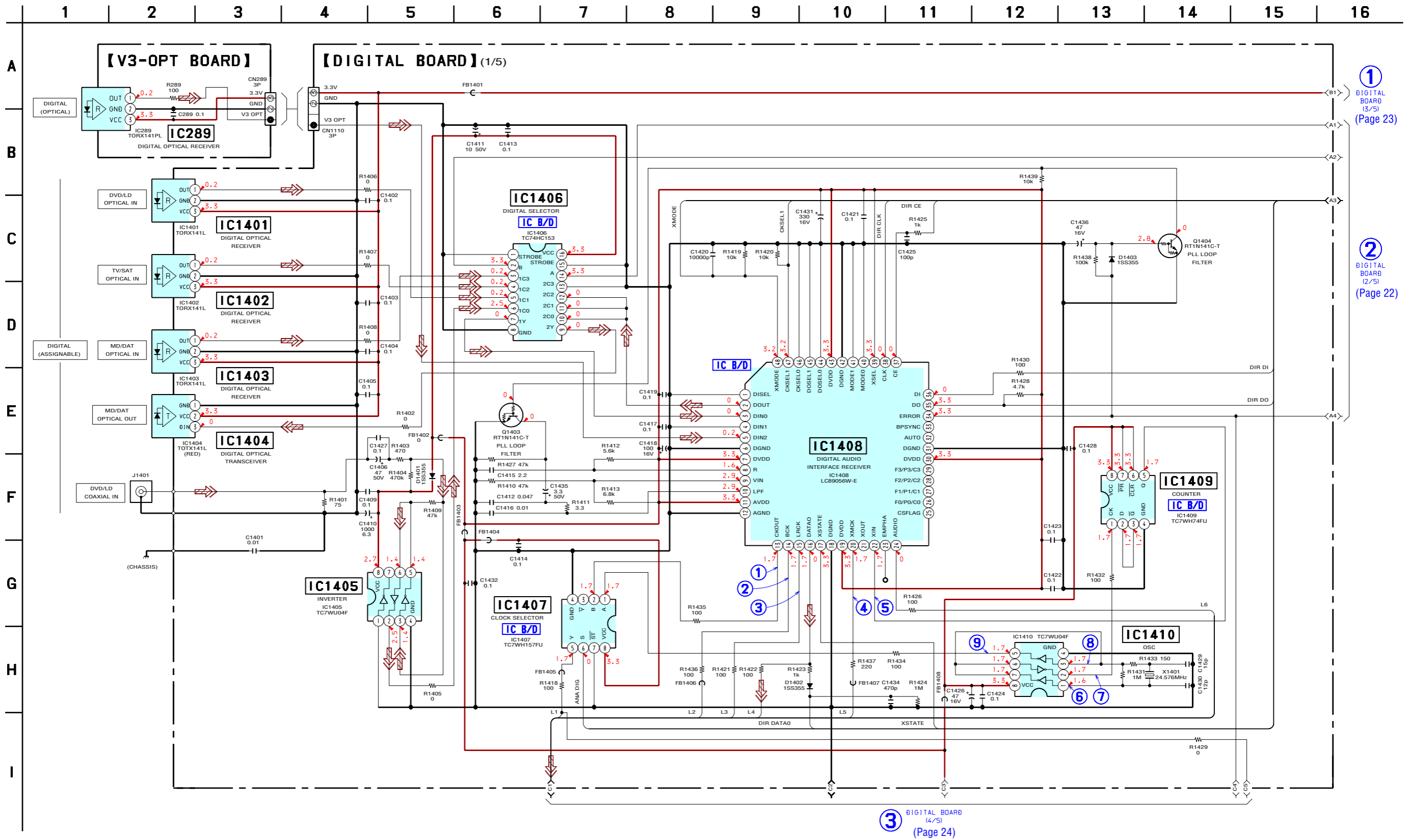
**Note:**  
 Les composants identifiés par une marque  $\Delta$  sont critiques pour la sécurité. Ne les remplacer que par une pièce portant le numéro spécifié.

- : B+ Line.
- : B- Line.
- Voltages and waveforms are dc with respect to ground under no-signal (detuned) conditions.  
 no mark : TUNER  
 ( ) : VIDEO 1  
 \* : Impossible to measure
- Voltages are taken with a VOM (Input impedance  $10\text{M}\Omega$ ). Voltage variations may be noted due to normal production tolerances.
- Waveforms are taken with a oscilloscope. Voltage variations may be noted due to normal production tolerances.
- Circled numbers refer to waveforms.
- Signal path.  
 : TUNER  
 : AUDIO IN (ANALOG)  
 : AUDIO IN (DIGITAL)  
 : VIDEO IN
- Abbreviation  
 CND : Canadian model  
 KR : Korean model  
 MY : Malaysia model  
 SP : Singapore model

## • Circuit Boards Location



6-8. SCHEMATIC DIAGRAM – DIGITAL (1/5)/V-3 OPT Boards – • See page 48 for Waveforms. • See page 50 for IC Block Diagrams.

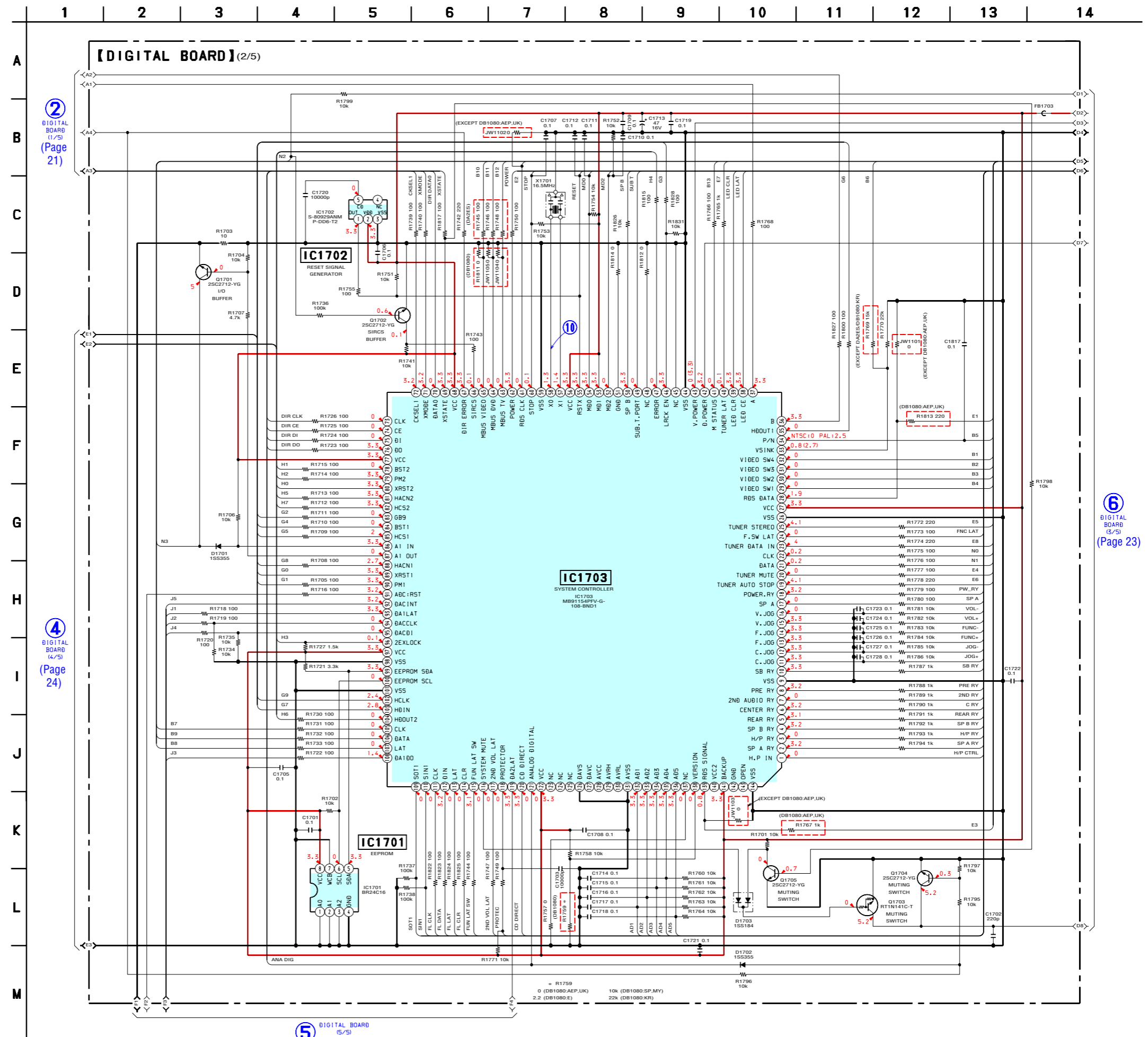


1  
DIGITAL BOARD (3/5)  
(Page 23)

2  
DIGITAL BOARD (2/5)  
(Page 22)

3  
DIGITAL BOARD (4/5)  
(Page 24)

6-9. SCHEMATIC DIAGRAM – DIGITAL Board (2/5) – • See page 48 for Waveform.



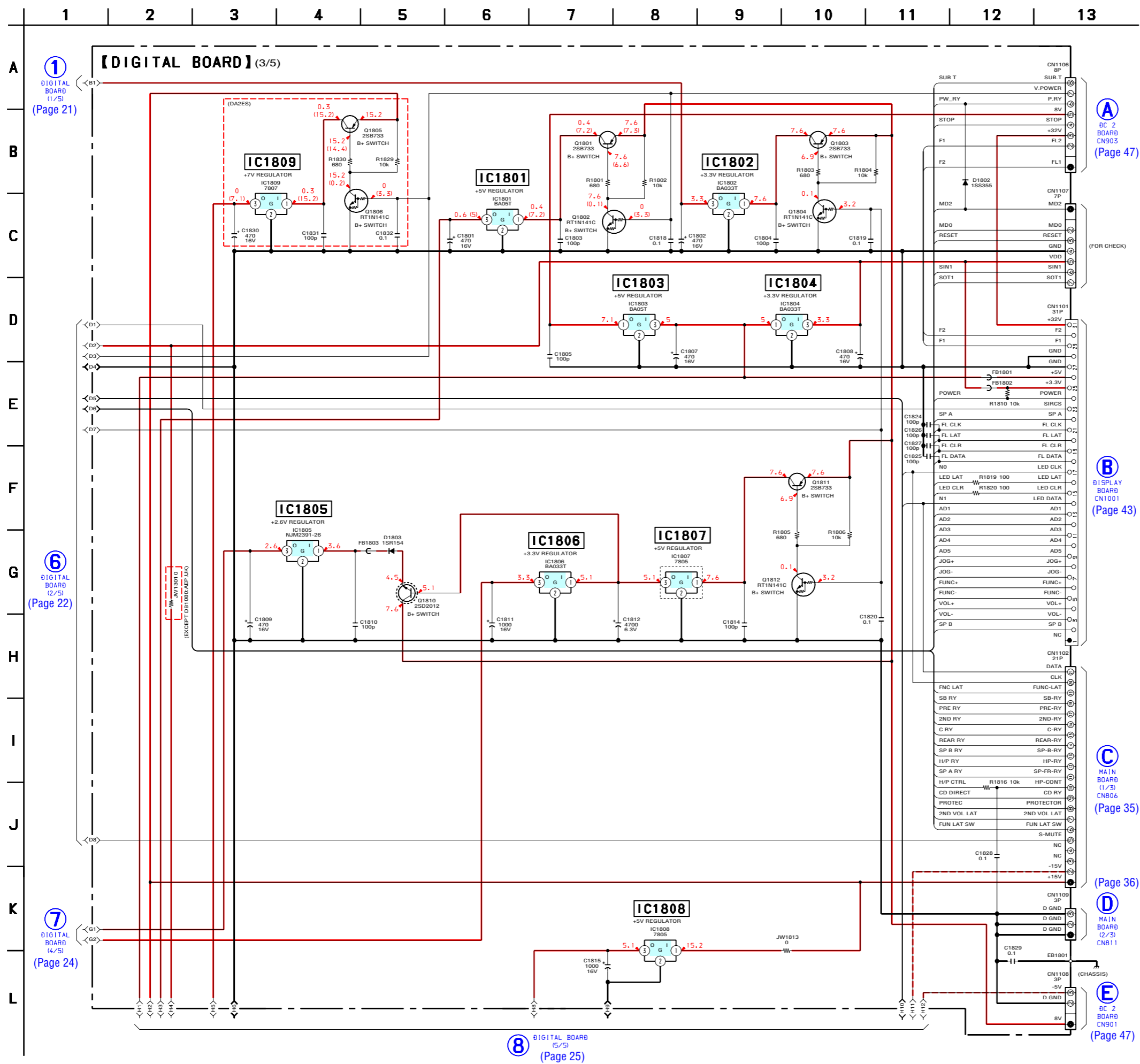
2 DIGITAL BOARD (1/5) (Page 21)

4 DIGITAL BOARD (4/5) (Page 24)

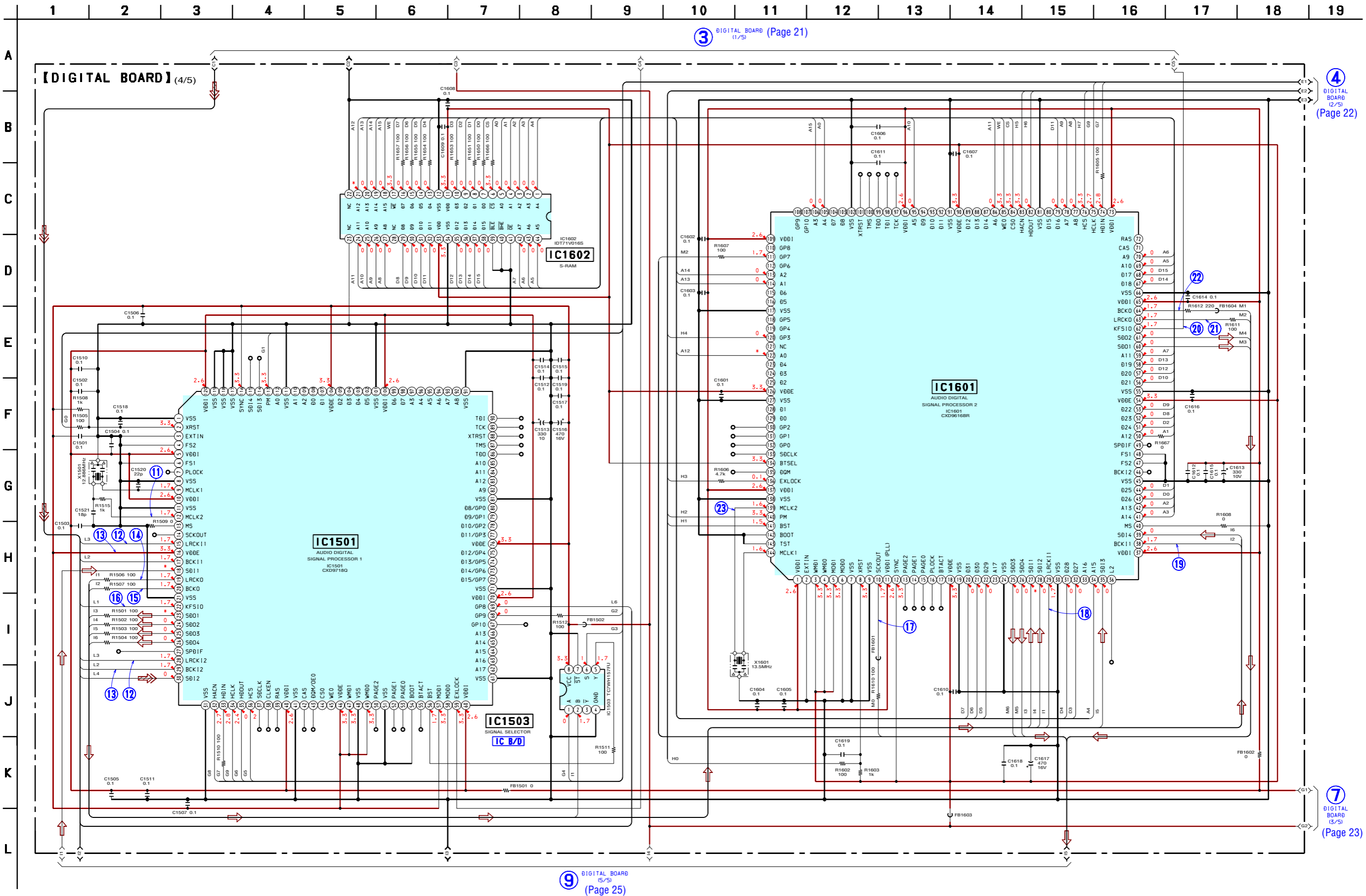
5 DIGITAL BOARD (5/5) (Page 25)

6 DIGITAL BOARD (5/5) (Page 23)

6-10. SCHEMATIC DIAGRAM – DIGITAL Board (3/5) –

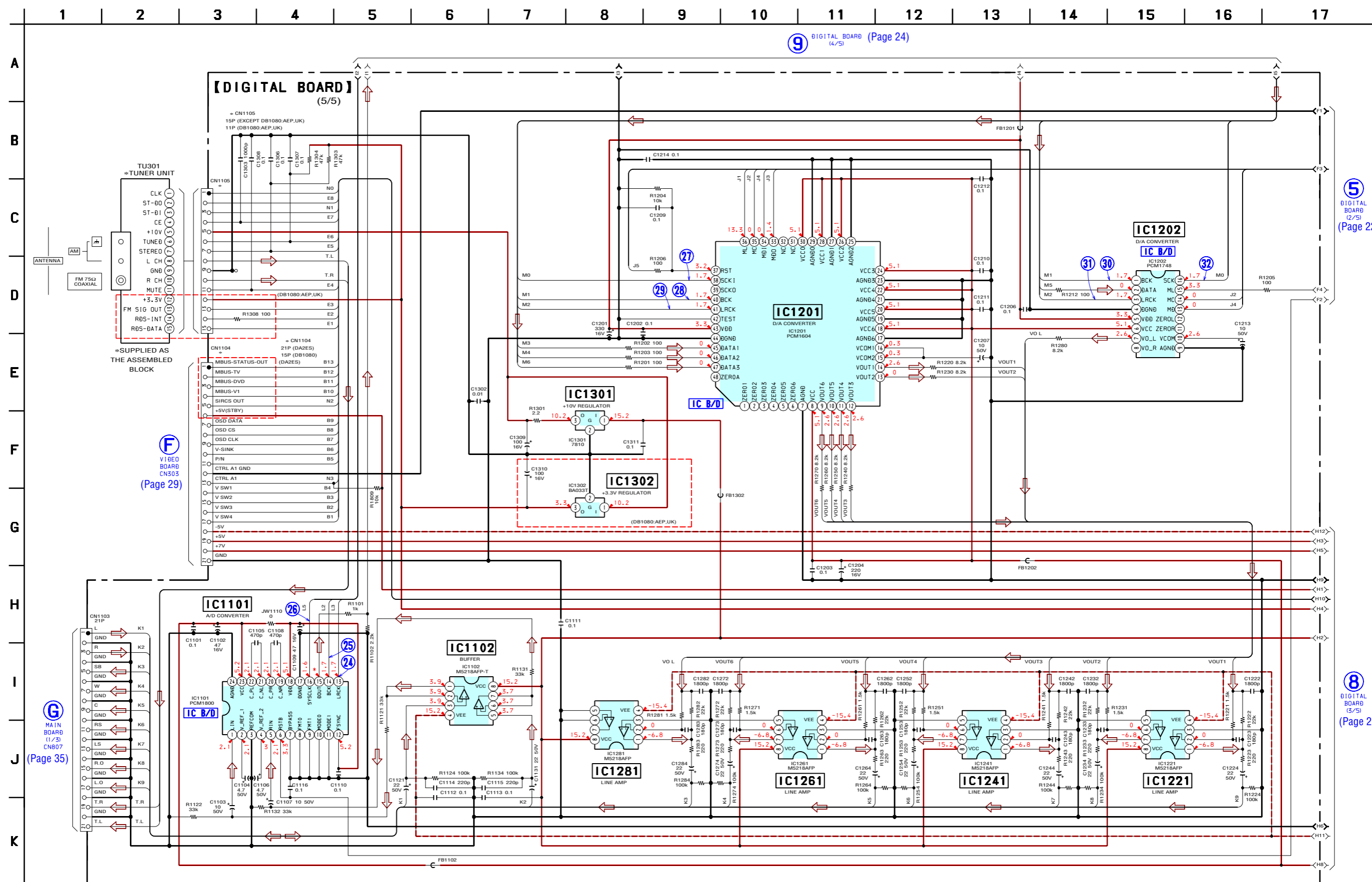


6-11. SCHEMATIC DIAGRAM – DIGITAL Board (4/5) – • See page 48 for Waveforms. • See page 50 for IC Block Diagram.





6-12. SCHEMATIC DIAGRAM – DIGITAL Board (5/5) – • See page 48 for Waveforms. • See page 50 for IC Block Diagrams.



9 DIGITAL BOARD (4/5) (Page 24)

5 DIGITAL BOARD (2/5) (Page 22)

F V1080 BOARD CN303 (Page 29)

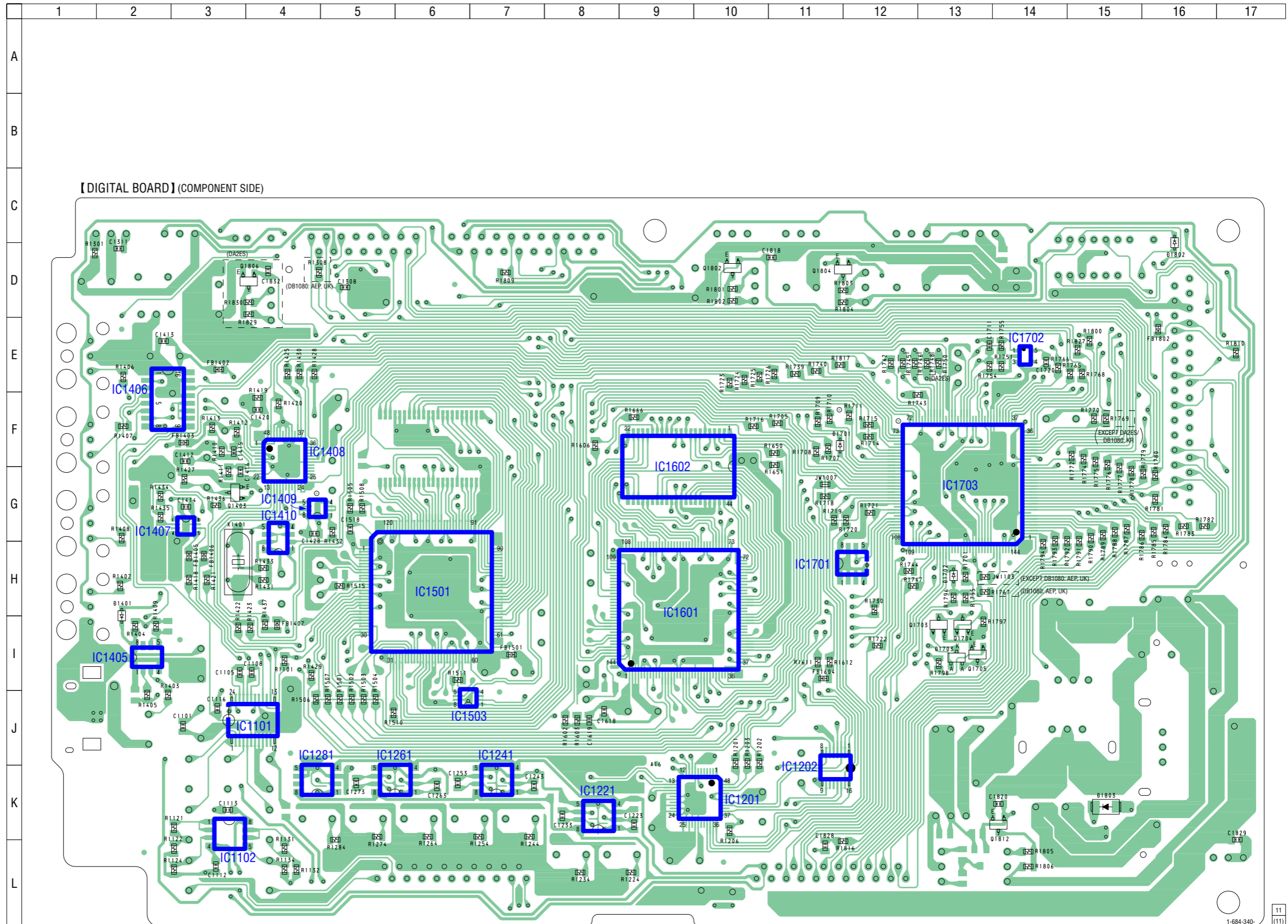
G MAIN BOARD (1/3) CN807 (Page 35)

8 DIGITAL BOARD (3/5) (Page 23)

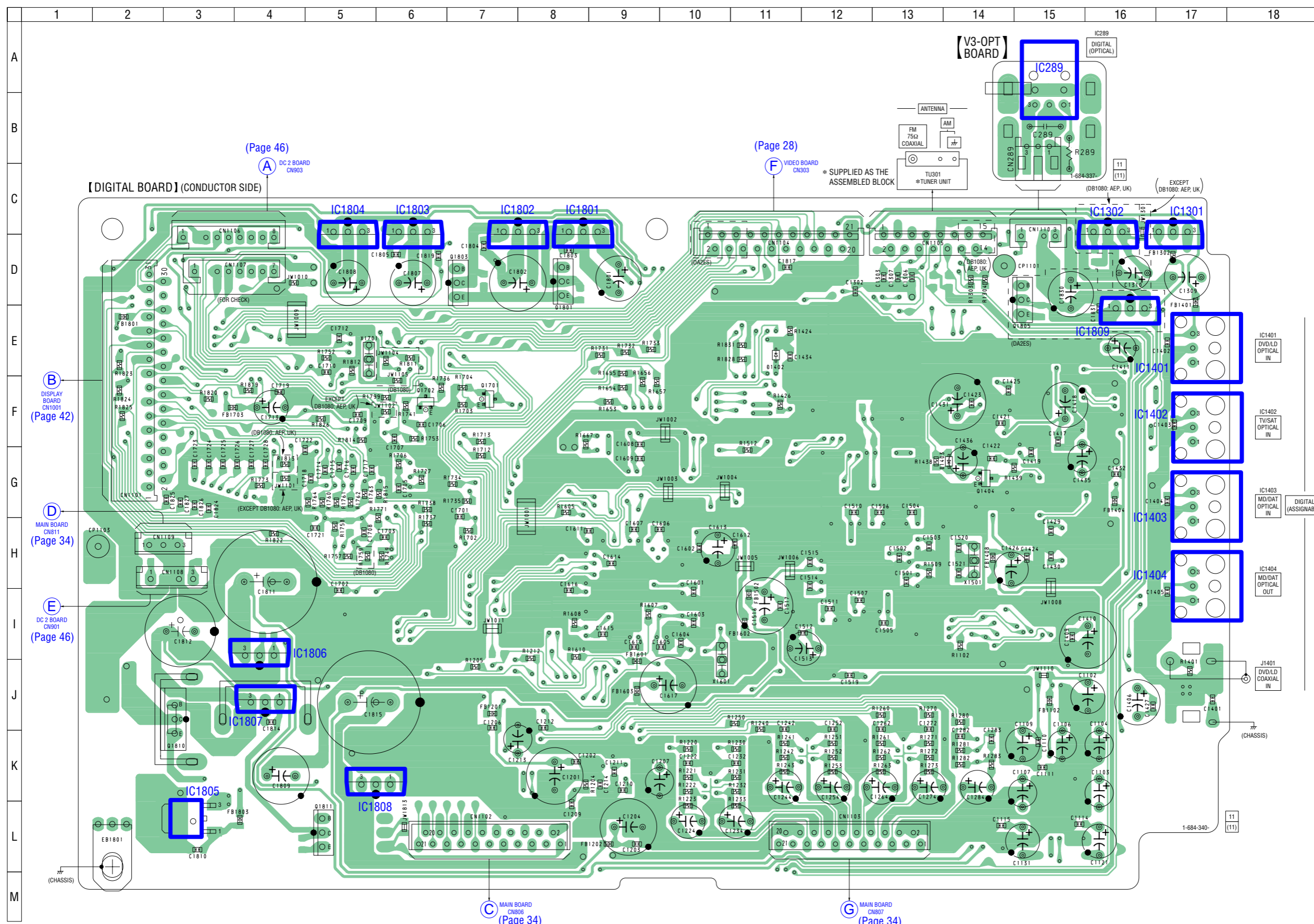
6-13. PRINTED WIRING BOARD – DIGITAL Board (Component Side) – • See page 20 for Circuit Boards Location.

• Semiconductor Location

| Ref. No. | Location |
|----------|----------|
| D1401    | H-2      |
| D1701    | F-11     |
| D1702    | H-13     |
| D1703    | I-13     |
| D1802    | D-16     |
| D1803    | K-15     |
|          |          |
| IC1101   | J-4      |
| IC1102   | K-3      |
| IC1201   | K-10     |
| IC1202   | K-11     |
| IC1221   | K-8      |
| IC1241   | K-7      |
| IC1261   | K-5      |
| IC1281   | K-4      |
| IC1405   | I-2      |
| IC1406   | F-2      |
| IC1407   | G-3      |
| IC1408   | F-4      |
| IC1409   | G-4      |
| IC1410   | G-4      |
| IC1501   | H-6      |
| IC1503   | J-6      |
| IC1601   | H-9      |
| IC1602   | F-9      |
| IC1701   | H-12     |
| IC1702   | E-14     |
| IC1703   | G-13     |
|          |          |
| Q1403    | G-3      |
| Q1703    | I-13     |
| Q1704    | I-13     |
| Q1705    | I-13     |
| Q1802    | D-10     |
| Q1803    | D-11     |
| Q1806    | D-4      |
| Q1812    | K-14     |



6-14. PRINTED WIRING BOARDS – DIGITAL (Conductor Side)/V-3 OPT Boards – • See page 20 for Circuit Boards Location.



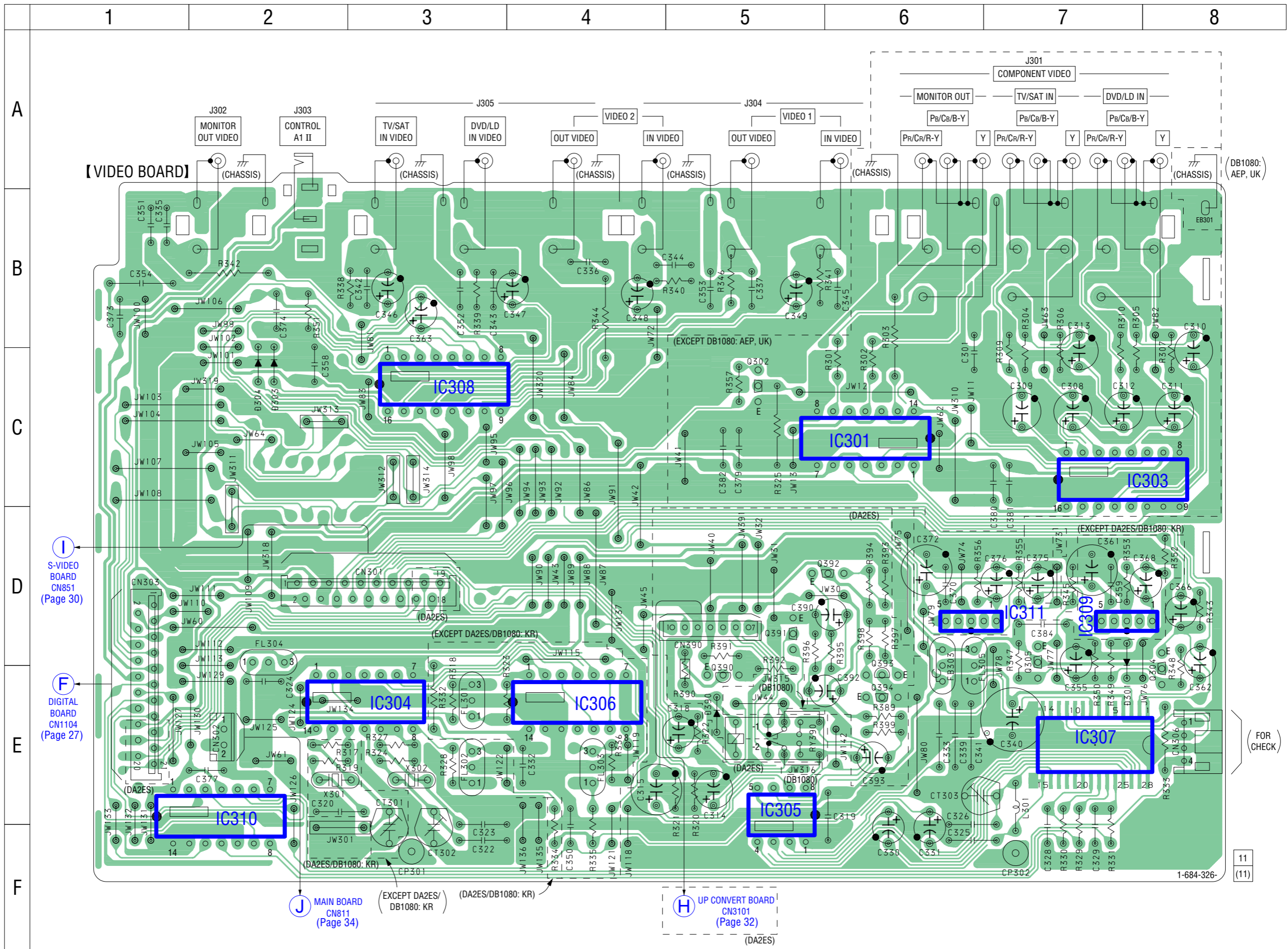
• Semiconductor Location

| Ref. No. | Location |
|----------|----------|
| D1402    | E-11     |
| D1403    | G-14     |
| IC289    | B-15     |
| IC1301   | C-17     |
| IC1302   | C-16     |
| IC1401   | E-17     |
| IC1402   | F-17     |
| IC1403   | G-17     |
| IC1404   | H-17     |
| IC1801   | C-8      |
| IC1802   | C-7      |
| IC1803   | C-6      |
| IC1804   | C-5      |
| IC1805   | L-3      |
| IC1806   | I-4      |
| IC1807   | J-4      |
| IC1808   | K-5      |
| IC1809   | E-16     |
| Q1404    | G-14     |
| Q1701    | F-7      |
| Q1702    | F-6      |
| Q1801    | D-8      |
| Q1804    | D-7      |
| Q1805    | D-15     |
| Q1810    | J-3      |
| Q1811    | L-5      |

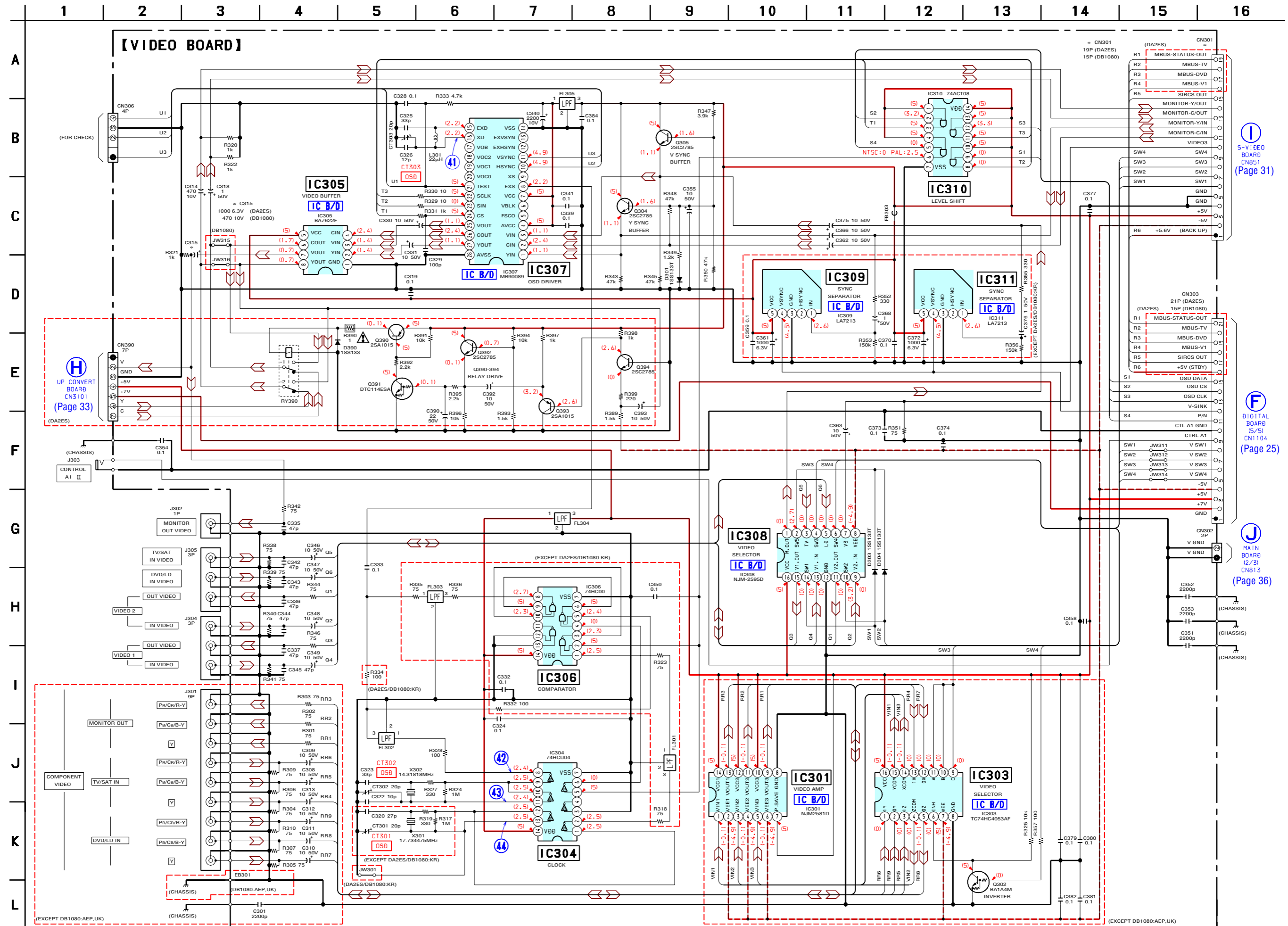
6-15. PRINTED WIRING BOARD – VIDEO Board – • See page 20 for Circuit Boards Location.

• Semiconductor Location

| Ref. No. | Location |
|----------|----------|
| D301     | D-7      |
| D303     | C-2      |
| D304     | C-2      |
| D390     | E-5      |
| IC301    | C-6      |
| IC303    | C-7      |
| IC304    | E-3      |
| IC305    | E-5      |
| IC306    | E-4      |
| IC307    | E-7      |
| IC308    | C-3      |
| IC309    | D-7      |
| IC310    | E-2      |
| IC311    | D-6      |
| Q302     | C-5      |
| Q304     | E-8      |
| Q305     | D-7      |
| Q390     | E-5      |
| Q391     | D-5      |
| Q392     | D-6      |
| Q393     | E-6      |
| Q394     | E-6      |



6-16. SCHEMATIC DIAGRAM – VIDEO Board – • See page 48 for Waveforms. • See page 50 for IC Block Diagrams.



5-VIBO BOARD CN851 (Page 31)

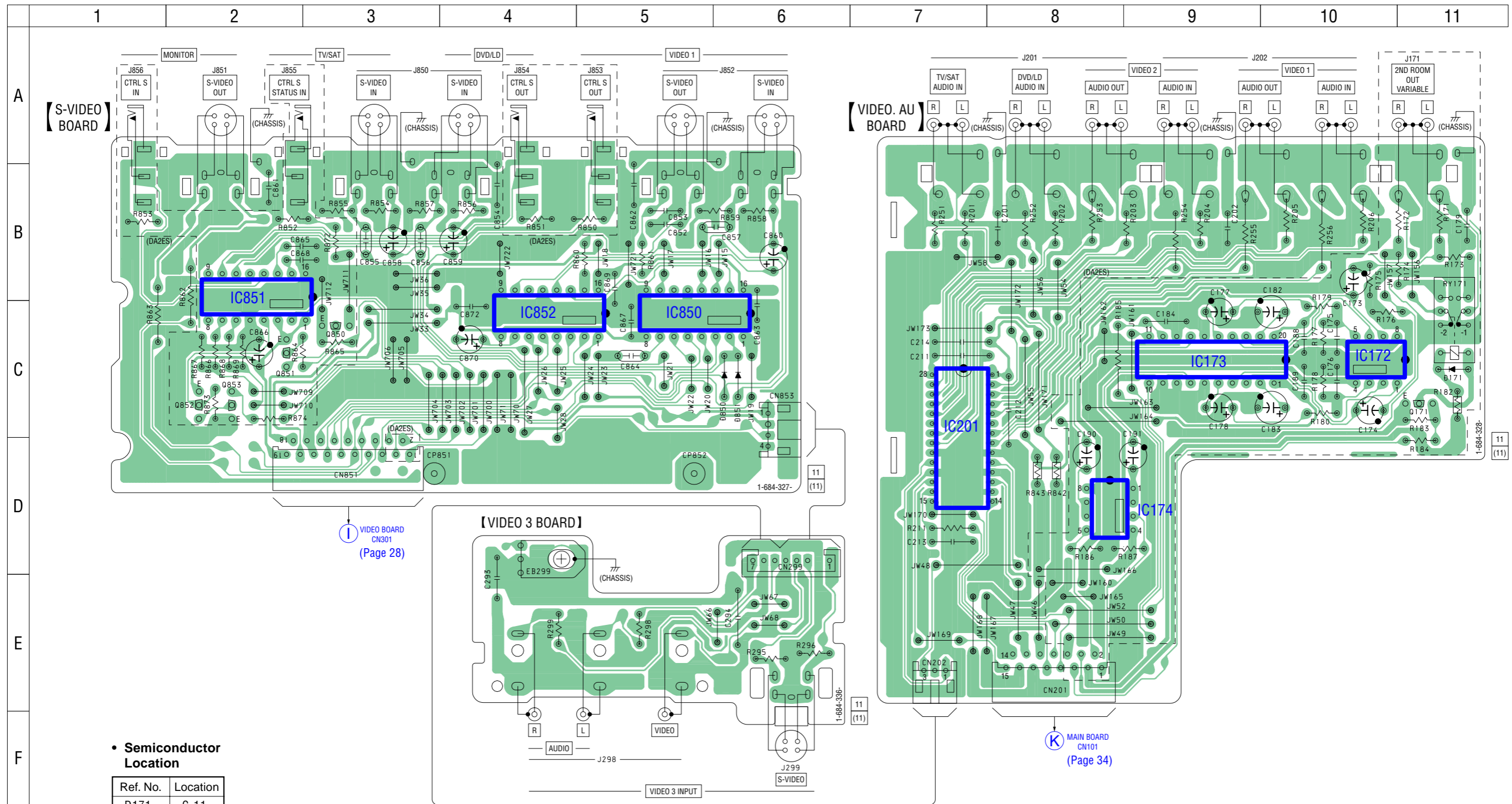
F DIGITAL BOARD (5/5) CN1104 (Page 25)

J MAIN BOARD (2/3) CN13 (Page 36)

The components identified by mark  $\Delta$  or dotted line with mark  $\Delta$  are critical for safety. Replace only with part number specified.

Les composants identifiés par une marque  $\Delta$  sont critiques pour la sécurité. Ne les remplacer que par une pièce portant le numéro spécifié.

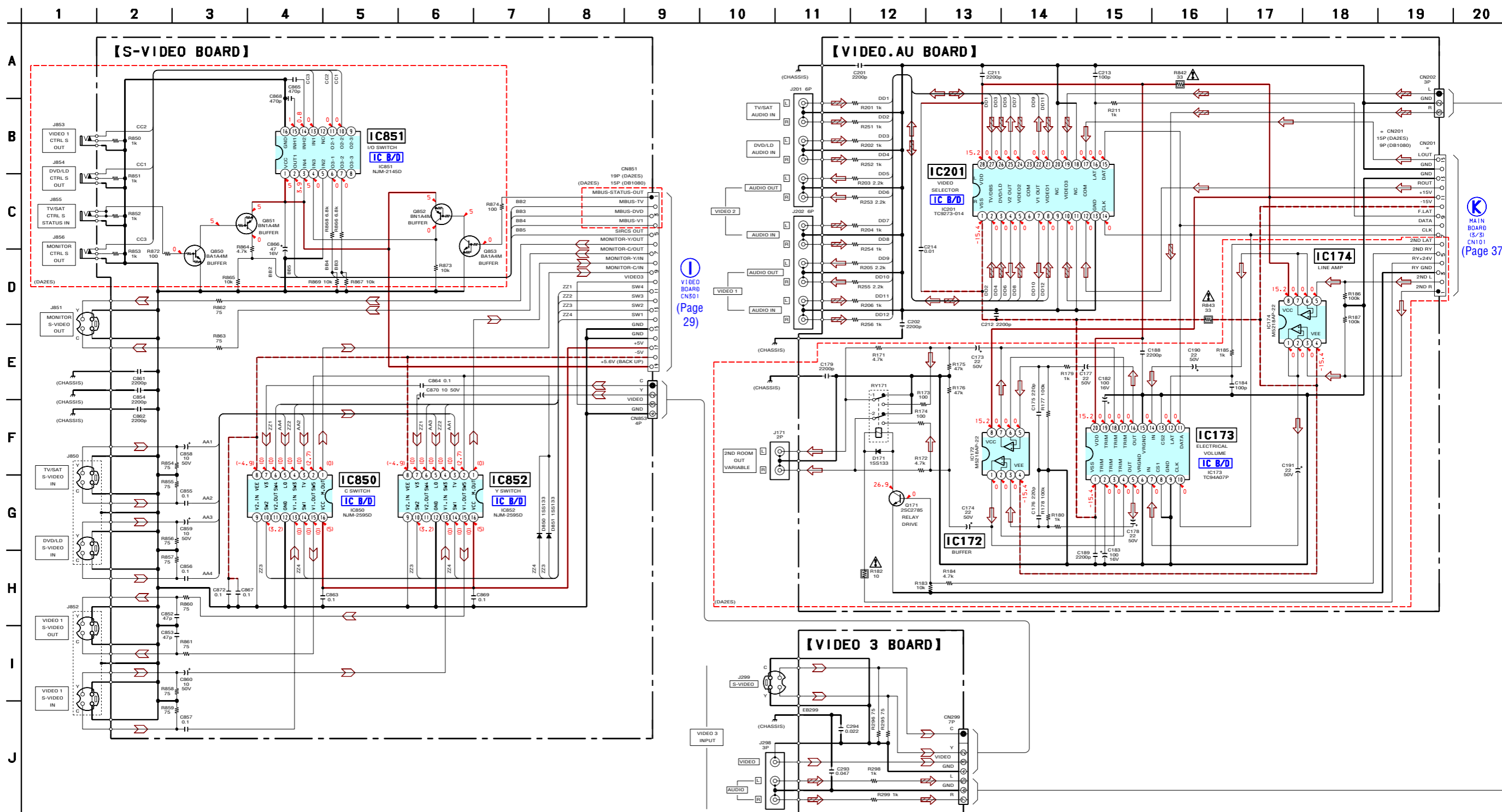
6-17. PRINTED WIRING BOARDS – S-VIDEO/VIDEO 3/VIDEO.AU Boards – • See page 20 for Circuit Boards Location.



• Semiconductor Location

| Ref. No. | Location |
|----------|----------|
| D171     | C-11     |
| D850     | C-6      |
| D851     | C-6      |
| IC172    | C-10     |
| IC173    | C-9      |
| IC174    | D-8      |
| IC201    | C-7      |
| IC850    | C-5      |
| IC851    | B-2      |
| IC852    | C-4      |
| Q171     | C-11     |
| Q850     | C-3      |
| Q851     | C-2      |
| Q852     | C-2      |
| Q853     | C-2      |

6-18. SCHEMATIC DIAGRAM – S-VIDEO/VIDEO 3/VIDEO.AU Boards – • See page 50 for IC Block Diagrams.

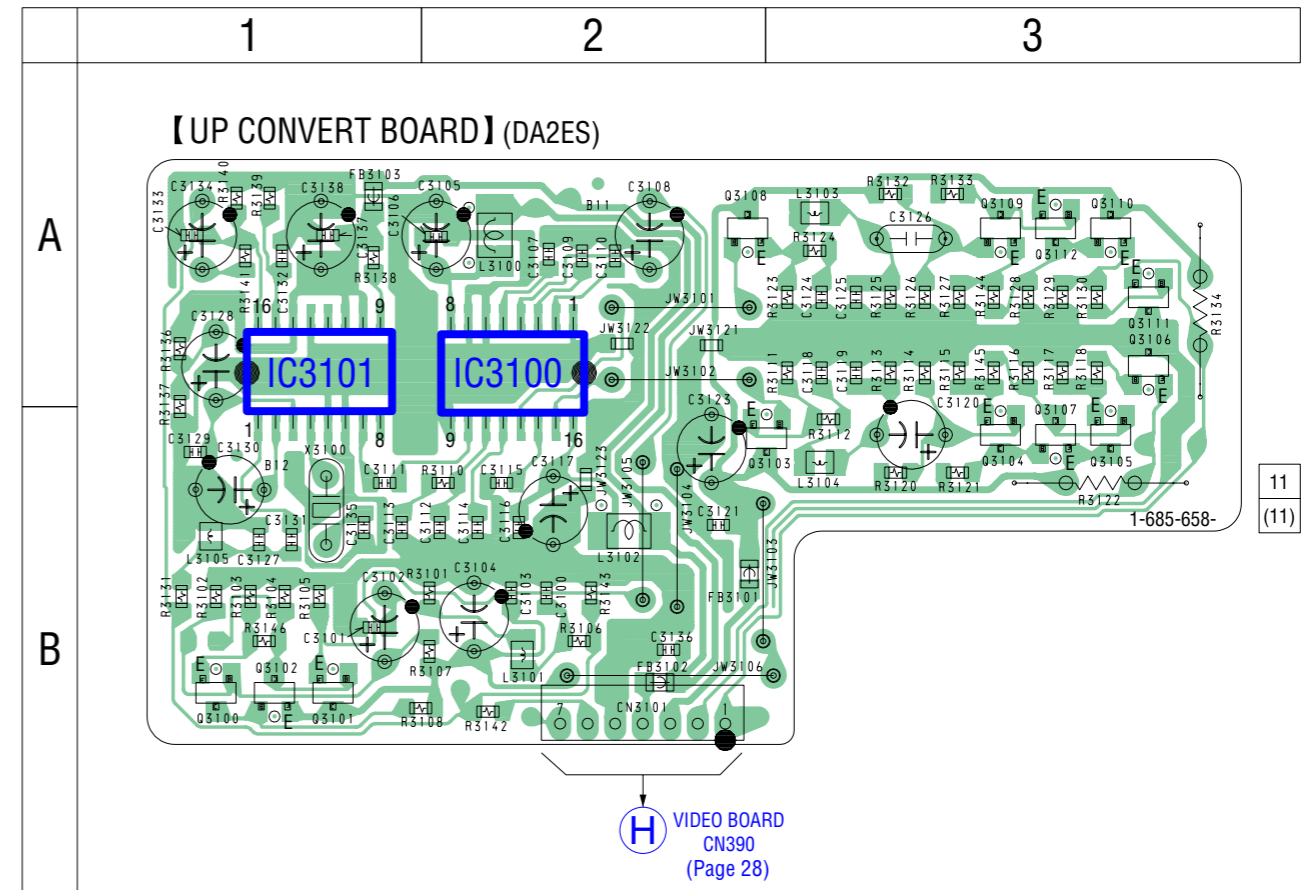


VIDEO BOARD CN501 (Page 29)

MAIN BOARD (S/3) CN101 (Page 37)

The components identified by mark Δ or dotted line with mark Δ are critical for safety. Replace only with part number specified. Les composants identifiés par une marque Δ sont critiques pour la sécurité. Ne les remplacer que par une pièce portant le numéro spécifié.

6-19. PRINTED WIRING BOARD – UP CONVERT Board – • See page 20 for Circuit Boards Location.



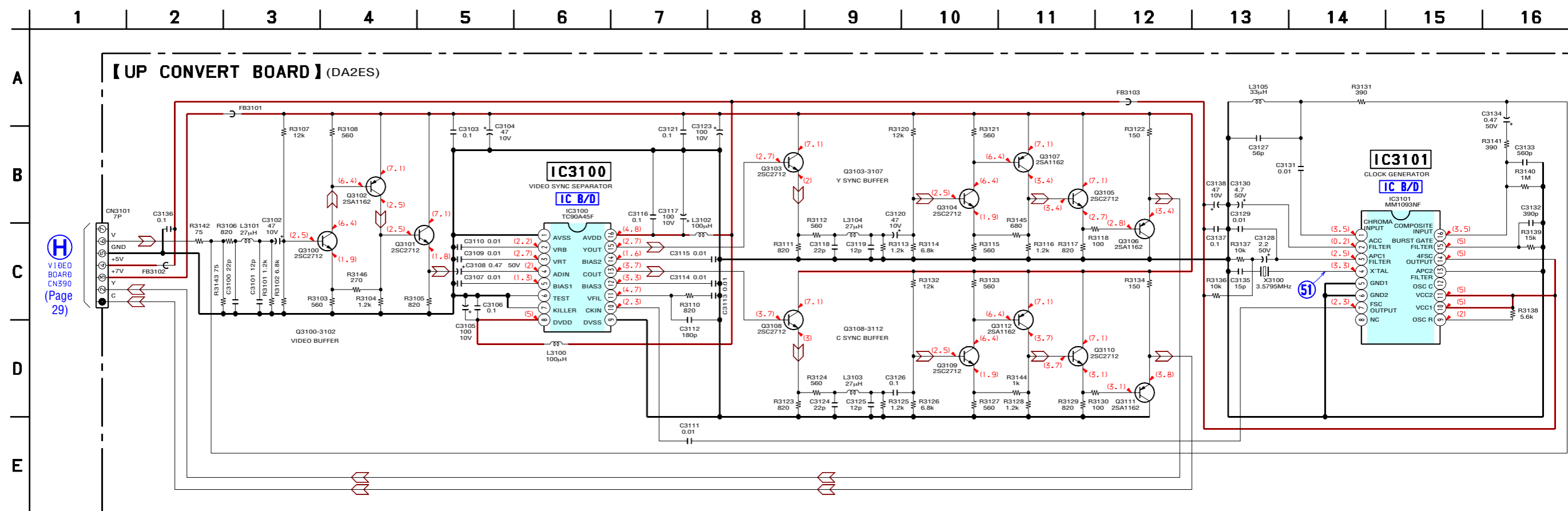
11  
(11)

• Semiconductor Location

| Ref. No. | Location |
|----------|----------|
| IC3100   | A-2      |
| IC3101   | A-1      |
| Q3100    | B-1      |
| Q3101    | B-1      |
| Q3102    | B-1      |
| Q3103    | B-3      |
| Q3104    | B-3      |
| Q3105    | B-3      |
| Q3106    | A-3      |
| Q3107    | B-3      |
| Q3108    | A-2      |
| Q3109    | A-3      |
| Q3110    | A-3      |
| Q3111    | A-3      |
| Q3112    | A-3      |



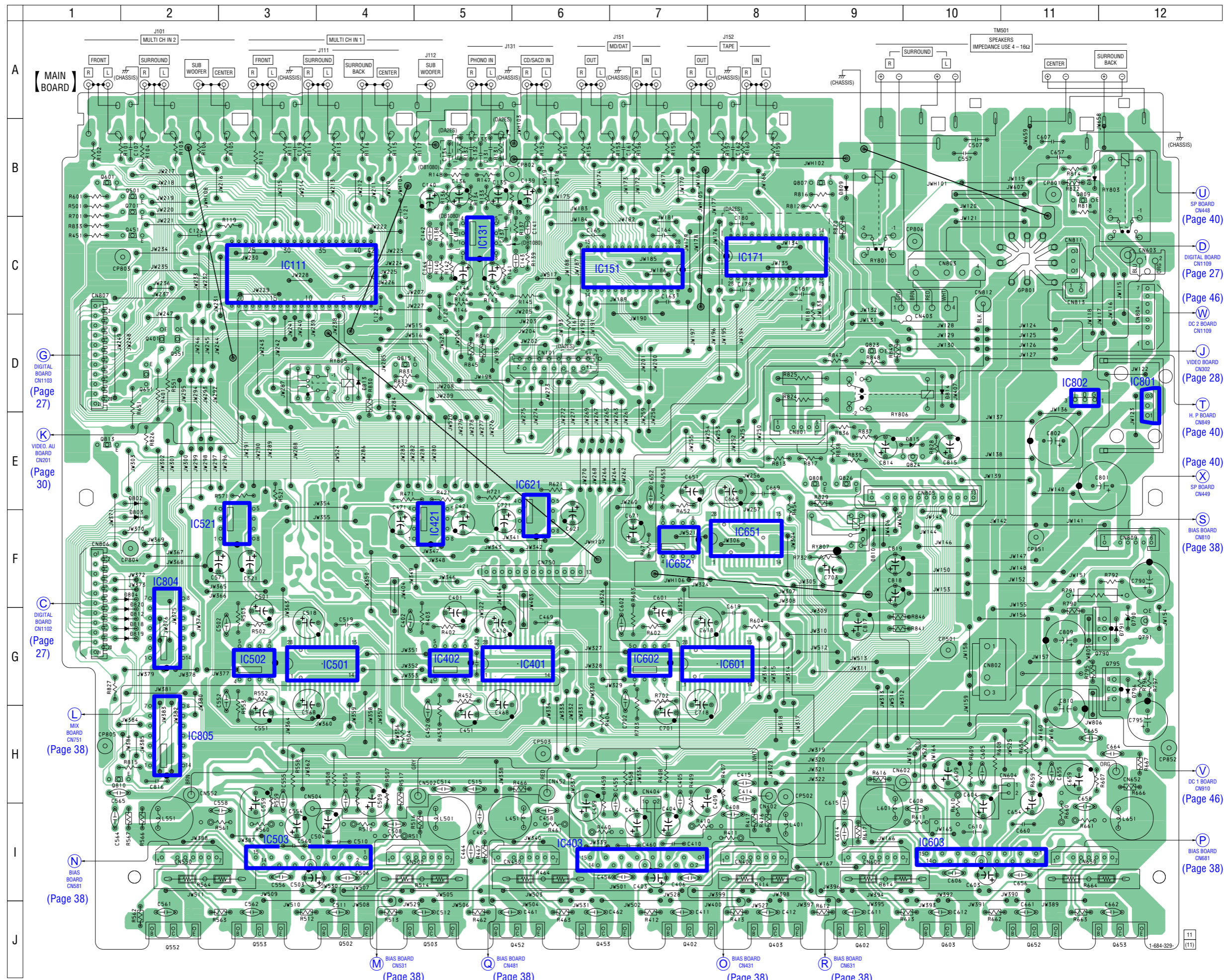
6-20. SCHEMATIC DIAGRAM – UP CONVERT Board – • See page 48 for Waveform. • See page 50 for IC Block Diagrams.



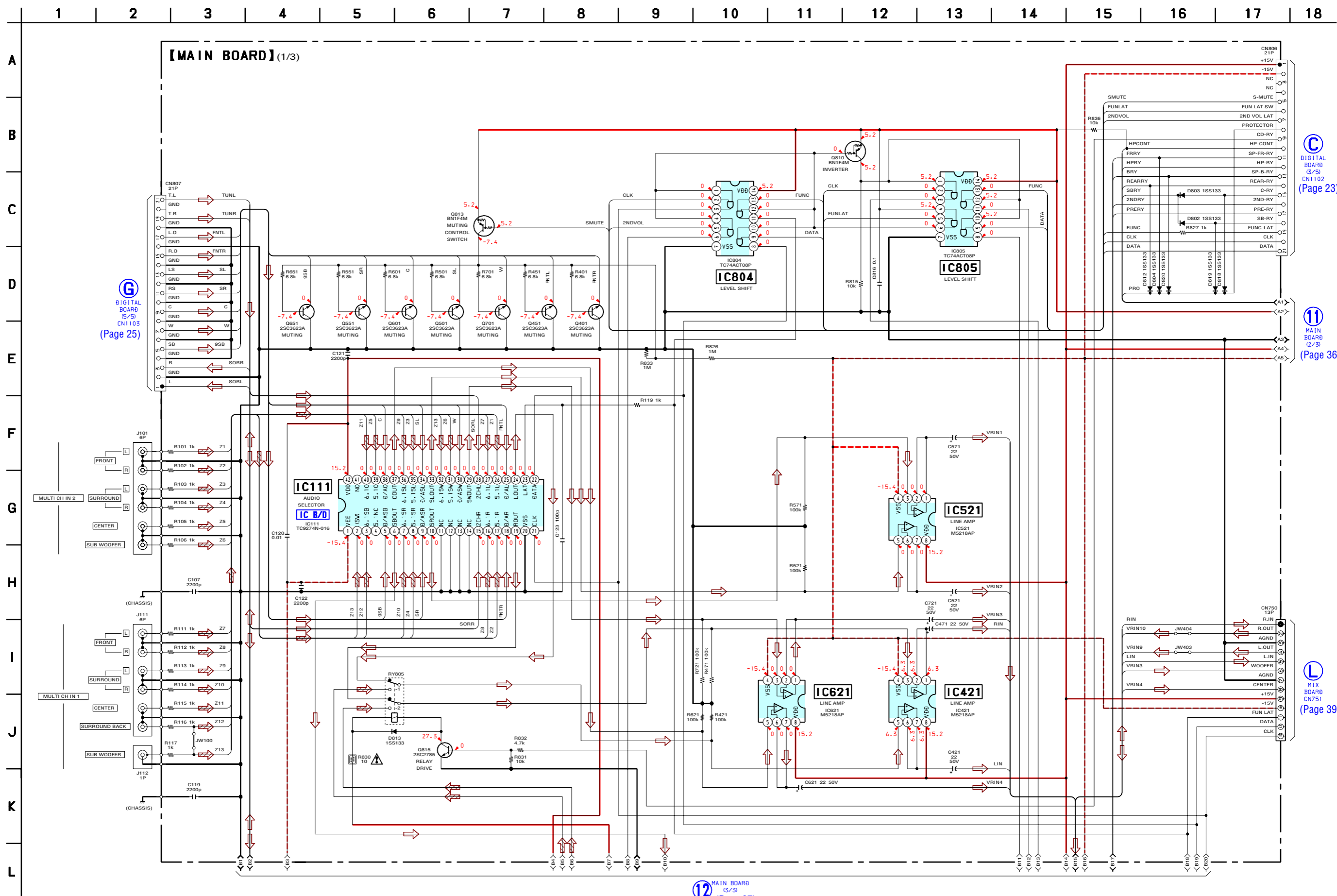
6-21. PRINTED WIRING BOARD – MAIN Board – • See page 20 for Circuit Boards Location.

• Semiconductor Location

| Ref. No. | Location |
|----------|----------|
| D790     | G-12     |
| D791     | G-12     |
| D796     | G-12     |
| D802     | E-2      |
| D804     | F-2      |
| D809     | B-9      |
| D810     | F-9      |
| D811     | B-11     |
| D812     | G-2      |
| D813     | D-4      |
| D814     | D-10     |
| D815     | E-10     |
| D818     | G-2      |
| D819     | G-2      |
| D820     | G-2      |
| IC111    | C-3      |
| IC131    | C-5      |
| IC151    | C-7      |
| IC171    | C-8      |
| IC401    | G-6      |
| IC402    | G-5      |
| IC403    | I-7      |
| IC421    | F-5      |
| IC501    | G-4      |
| IC502    | G-3      |
| IC503    | I-3      |
| IC521    | F-3      |
| IC601    | G-8      |
| IC602    | G-7      |
| IC603    | I-10     |
| IC621    | F-3      |
| IC651    | F-8      |
| IC652    | F-7      |
| IC801    | D-12     |
| IC802    | D-11     |
| IC804    | G-2      |
| IC805    | H-2      |
| Q401     | D-2      |
| Q402     | J-7      |
| Q403     | J-8      |
| Q451     | C-2      |
| Q452     | J-6      |
| Q453     | J-6      |
| Q501     | B-2      |
| Q502     | J-4      |
| Q503     | J-5      |
| Q551     | D-2      |
| Q552     | J-2      |
| Q553     | J-3      |
| Q601     | B-1      |
| Q602     | J-9      |
| Q603     | J-10     |
| Q651     | D-2      |
| Q652     | J-11     |
| Q653     | J-12     |
| Q701     | B-2      |
| Q790     | G-12     |
| Q791     | G-12     |
| Q795     | G-12     |
| Q807     | B-9      |
| Q808     | E-9      |
| Q809     | B-11     |
| Q810     | H-1      |
| Q813     | E-10     |
| Q815     | D-4      |
| Q823     | D-9      |
| Q824     | E-10     |
| Q826     | E-9      |



6-22. SCHEMATIC DIAGRAM – MAIN Board (1/3) – • See page 50 for IC Block Diagram.



**G**  
DIGITAL BOARD (5/5)  
CN1103  
(Page 25)

**C**  
DIGITAL BOARD (3/5)  
CN1102  
(Page 23)

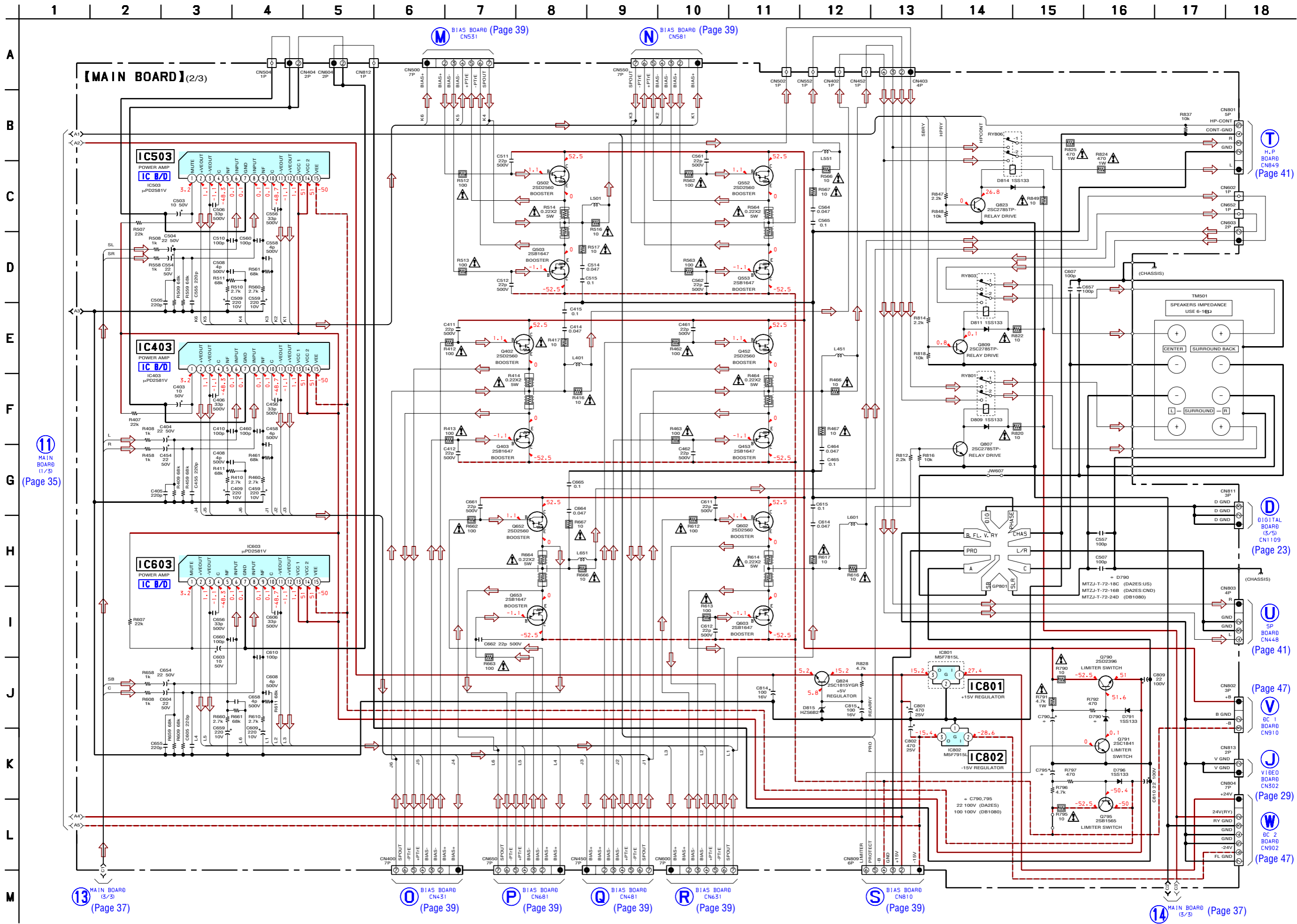
**11**  
MAIN BOARD (2/3)  
(Page 36)

**L**  
MIX BOARD CN751  
(Page 39)

**12** MAIN BOARD (3/3)  
(Page 37)

The components identified by mark  $\Delta$  or dotted line with mark  $\Delta$  are critical for safety. Replace only with part number specified.

Les composants identifiés par une marque  $\Delta$  sont critiques pour la sécurité. Ne les remplacer que par une pièce portant le numéro spécifié.



11 MAIN BOARD (1/3) (Page 35)

13 MAIN BOARD (3/3) (Page 37)

O BIAS BOARD CN431 (Page 39)

P BIAS BOARD CN481 (Page 39)

Q BIAS BOARD CN481 (Page 39)

R BIAS BOARD CN631 (Page 39)

S BIAS BOARD CN610 (Page 39)

14 MAIN BOARD (3/3) (Page 37)

T HP BOARD CN849 (Page 41)

D DIGITAL BOARD (3/5) CN1109 (Page 23)

U SP BOARD CN448 (Page 41)

V DC 1 BOARD CN910 (Page 47)

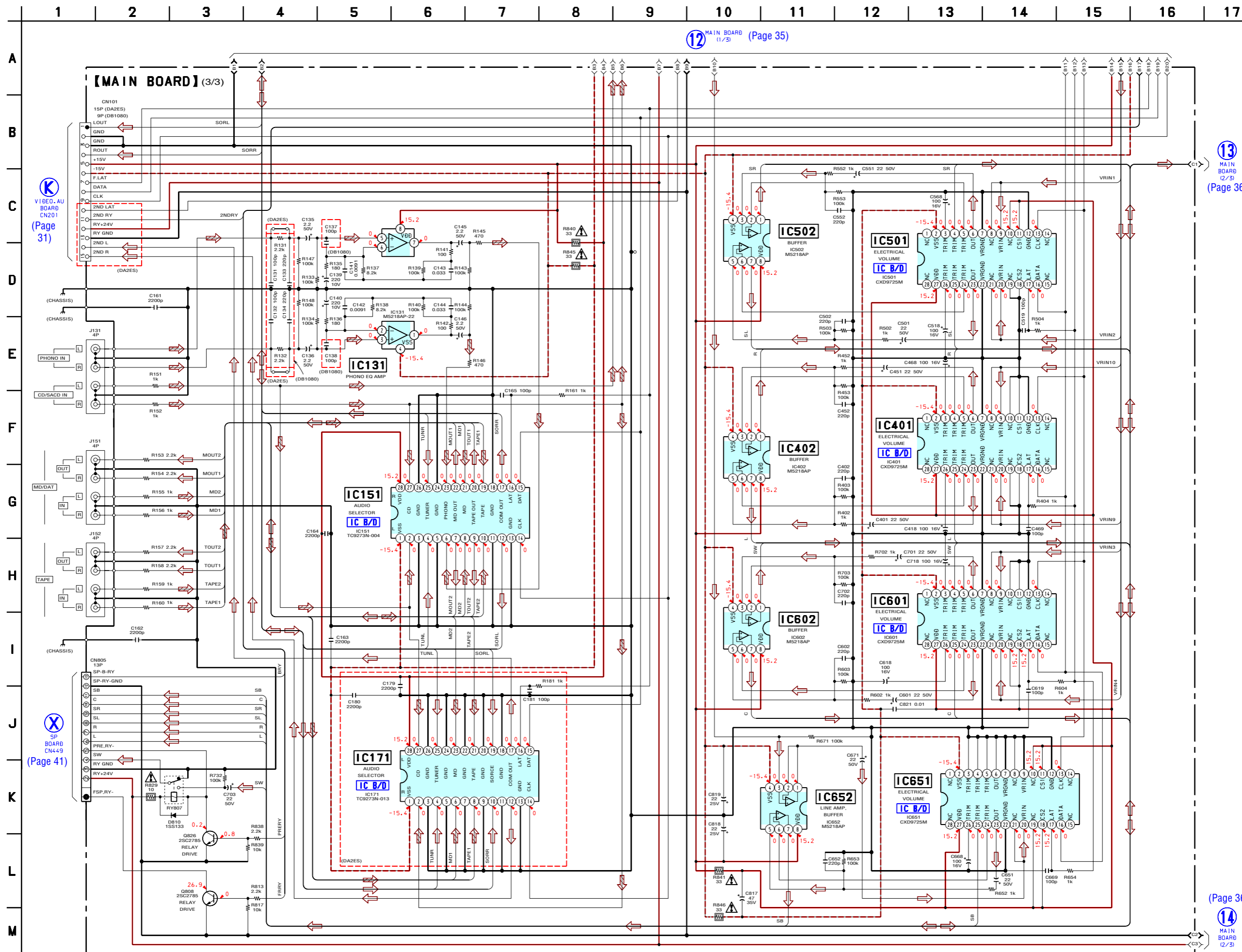
J VIDEO BOARD CN302 (Page 29)

W DC 2 BOARD CN902 (Page 47)

The components identified by mark  $\Delta$  or dotted line with mark  $\Delta$  are critical for safety. Replace only with part number specified.

Les composants identifiés par une marque  $\Delta$  sont critiques pour la sécurité. Ne les remplacer que par une pièce portant le numéro spécifié.

6-24. SCHEMATIC DIAGRAM – MAIN Board (3/3) – • See page 50 for IC Block Diagrams.



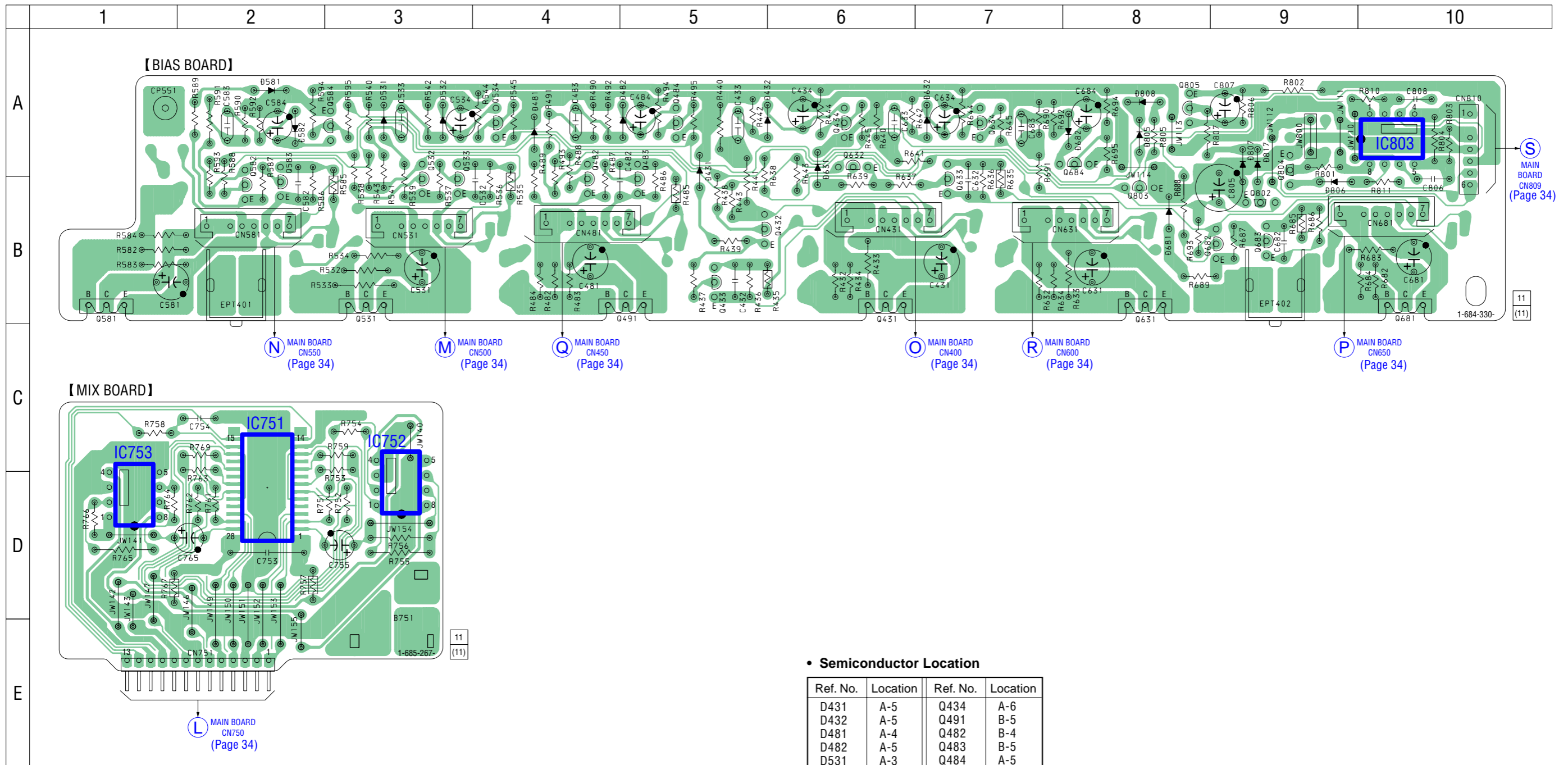
12 MAIN BOARD (1/3) (Page 35)

13 MAIN BOARD (2/3) (Page 36)

14 MAIN BOARD (2/3) (Page 36)

The components identified by mark Δ or dotted line with mark Δ are critical for safety. Replace only with part number specified. Les composants identifiés par une marque Δ sont critiques pour la sécurité. Ne les remplacer que par une pièce portant le numéro spécifié.

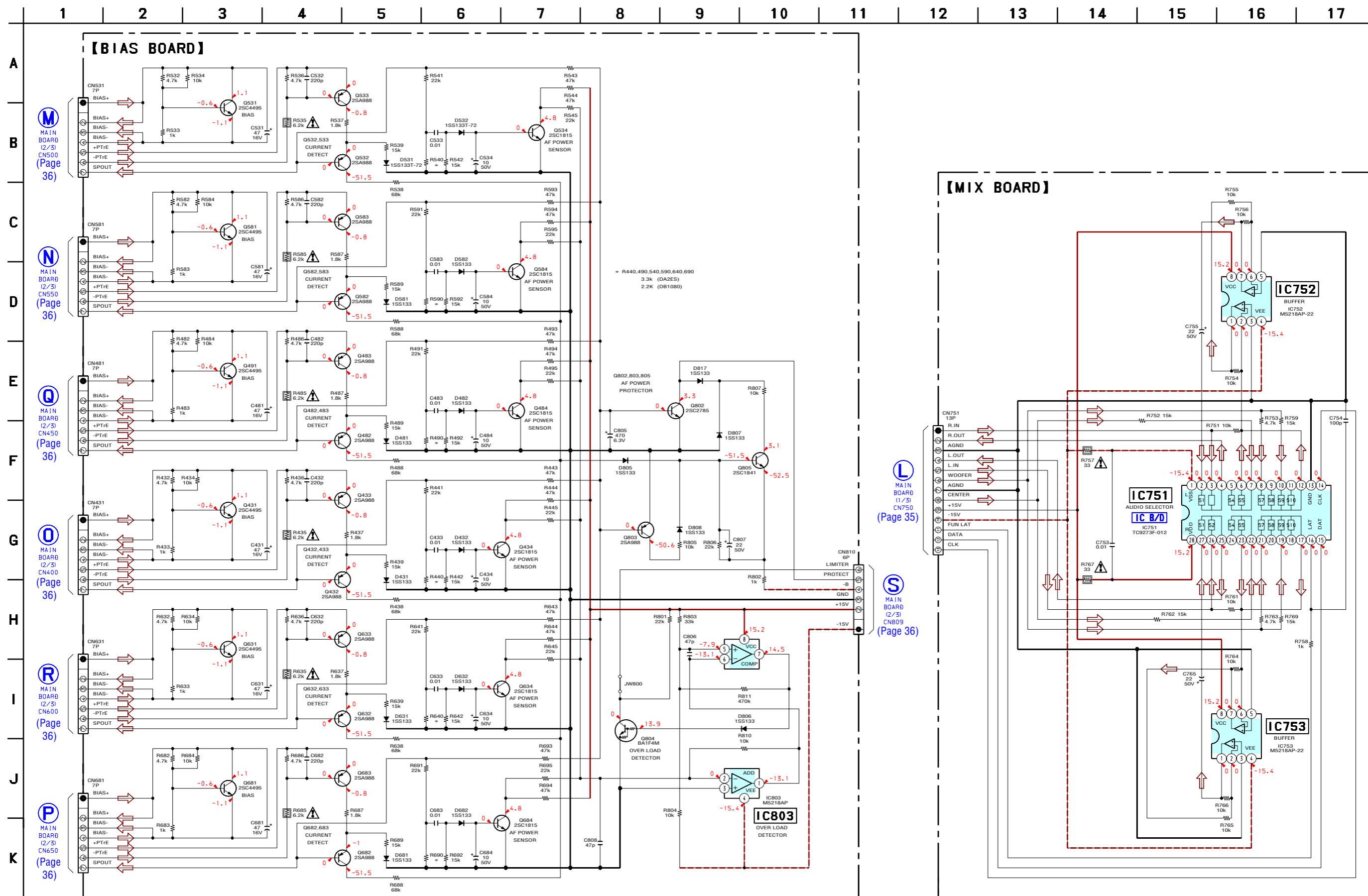
6-25. PRINTED WIRING BOARDS – BIAS/MIX Boards – • See page 20 for Circuit Boards Location.



• Semiconductor Location

| Ref. No. | Location | Ref. No. | Location |
|----------|----------|----------|----------|
| D431     | A-5      | Q434     | A-6      |
| D432     | A-5      | Q491     | B-5      |
| D481     | A-4      | Q482     | B-4      |
| D482     | A-5      | Q483     | B-5      |
| D531     | A-3      | Q484     | A-5      |
| D532     | A-3      | Q531     | B-3      |
| D581     | A-2      | Q532     | B-3      |
| D582     | A-2      | Q533     | B-3      |
| D631     | A-6      | Q534     | A-4      |
| D632     | A-7      | Q581     | B-1      |
| D681     | B-8      | Q582     | B-2      |
| D682     | A-8      | Q583     | B-2      |
| D805     | A-8      | Q584     | A-3      |
| D806     | B-9      | Q631     | B-8      |
| D807     | A-9      | Q632     | A-6      |
| D808     | A-8      | Q633     | B-7      |
| D817     | A-9      | Q634     | A-7      |
|          |          | Q681     | B-10     |
| IC751    | D-2      | Q682     | B-9      |
| IC752    | D-3      | Q683     | B-9      |
| IC753    | D-1      | Q684     | A-8      |
| IC803    | A-10     | Q802     | B-9      |
|          |          | Q803     | B-8      |
| Q431     | B-6      | Q804     | A-9      |
| Q432     | B-5      | Q805     | A-8      |
| Q433     | B-5      |          |          |

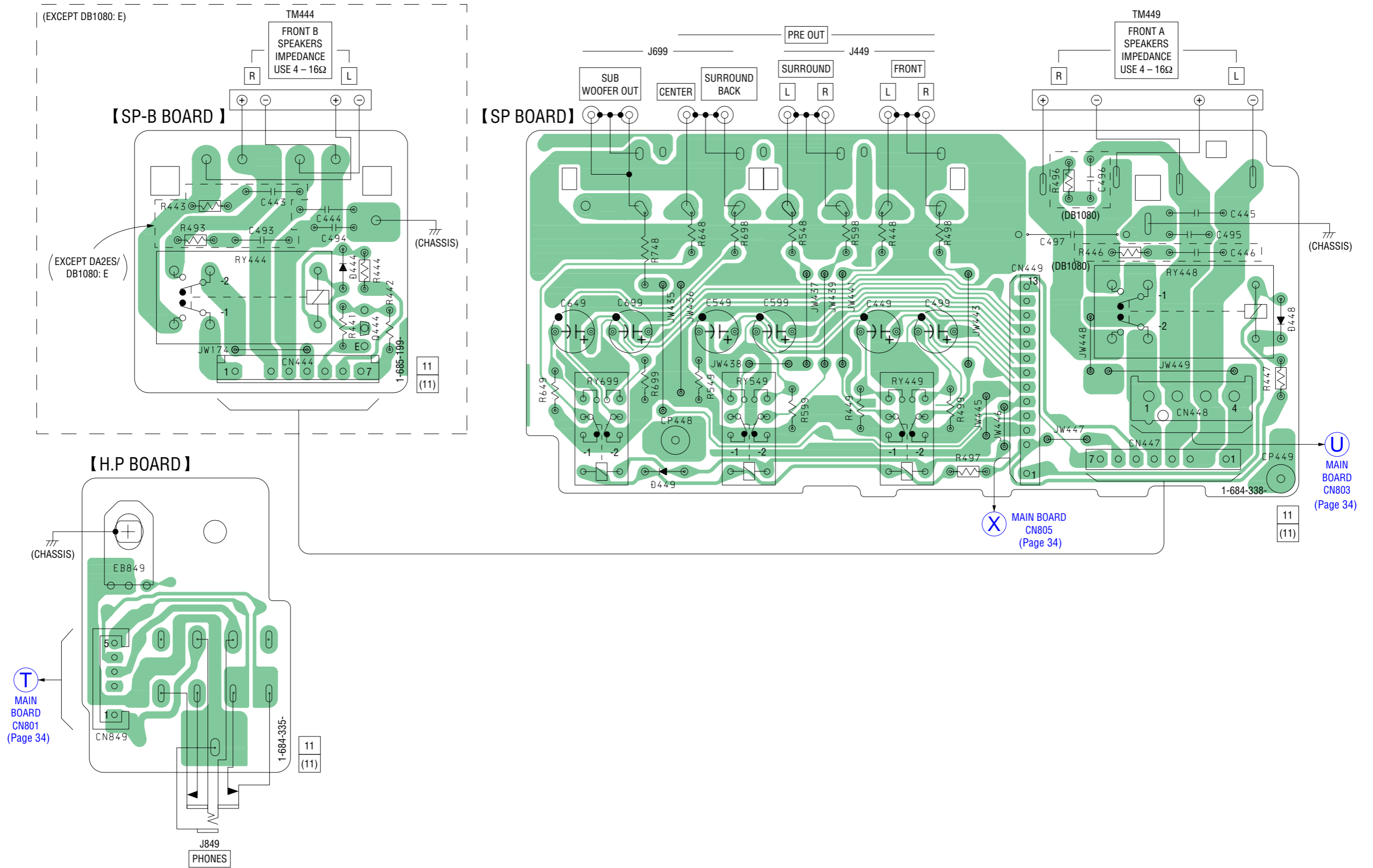
6-26. SCHEMATIC DIAGRAM – BIAS/MIX Boards – • See page 50 for IC Block Diagram.



The components identified by mark  $\Delta$  or dotted line with mark  $\Delta$  are critical for safety. Replace only with part number specified.

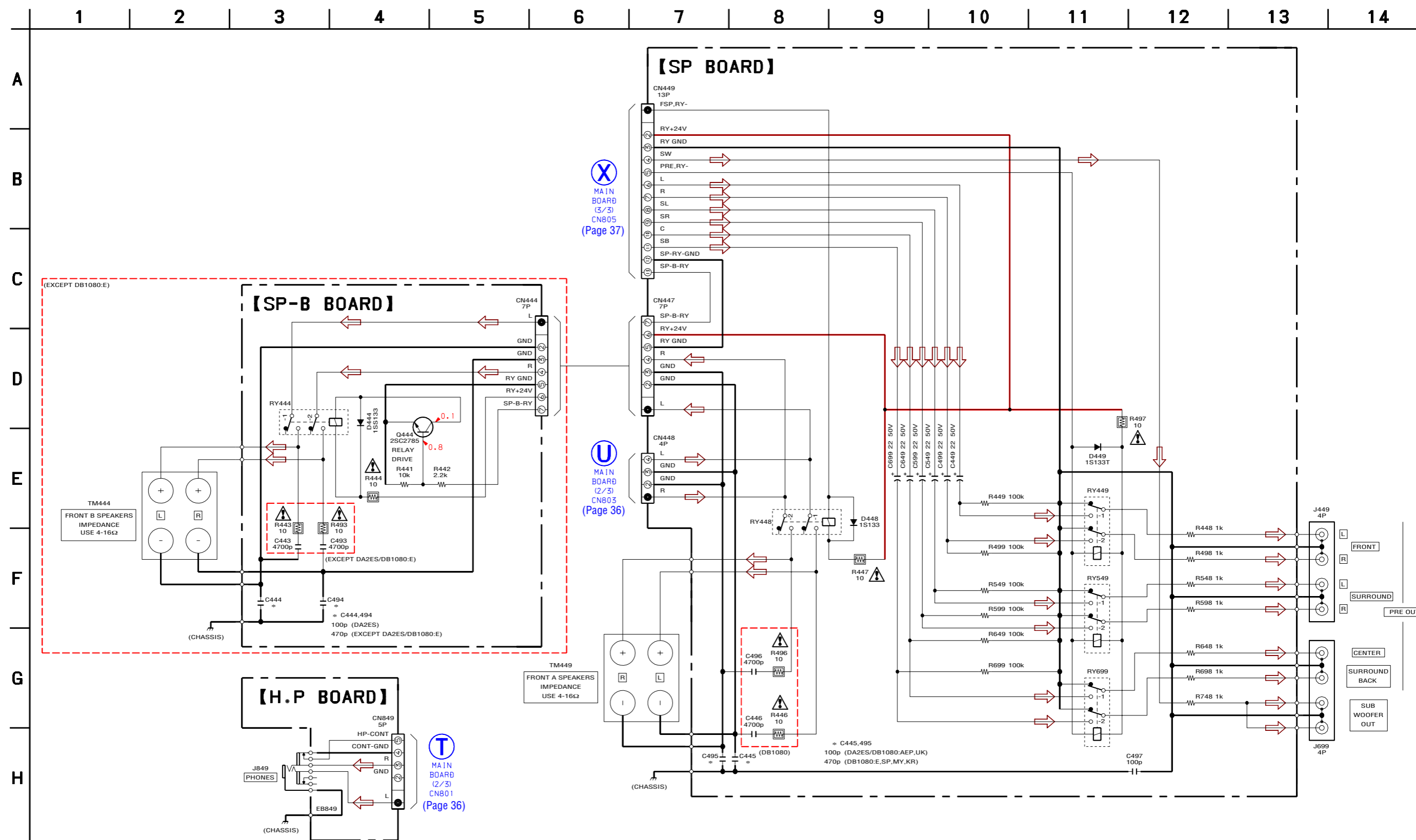
Les composants identifiés par une marque  $\Delta$  sont critiques pour la sécurité. Ne les remplacer que par une pièce portant le numéro spécifié.

6-27. PRINTED WIRING BOARDS – H.P/SP/SP-B Boards – • See page 20 for Circuit Boards Location.





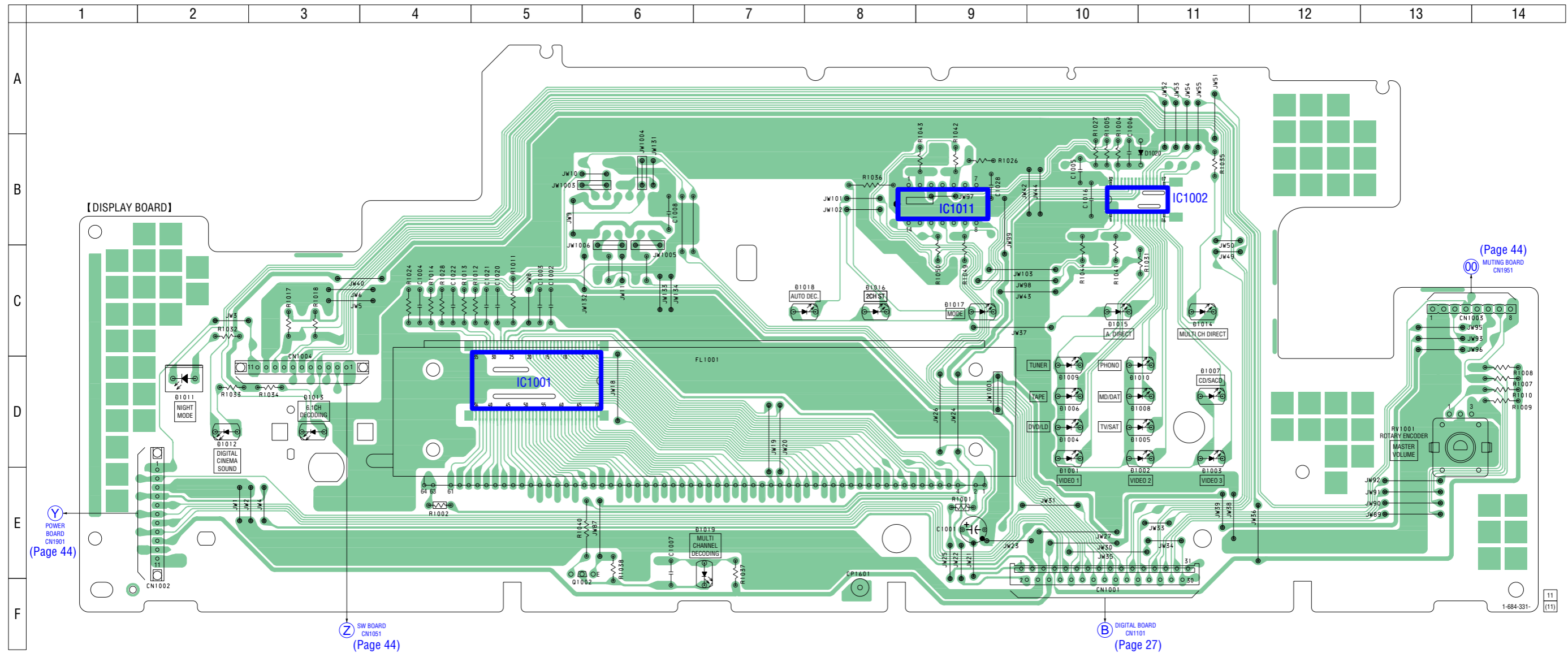
6-28. SCHEMATIC DIAGRAM – H.P/SP/SP-B Boards –



The components identified by mark  $\triangle$  or dotted line with mark  $\triangle$  are critical for safety. Replace only with part number specified.

Les composants identifiés par une marque  $\triangle$  sont critiques pour la sécurité. Ne les remplacer que par une pièce portant le numéro spécifié.

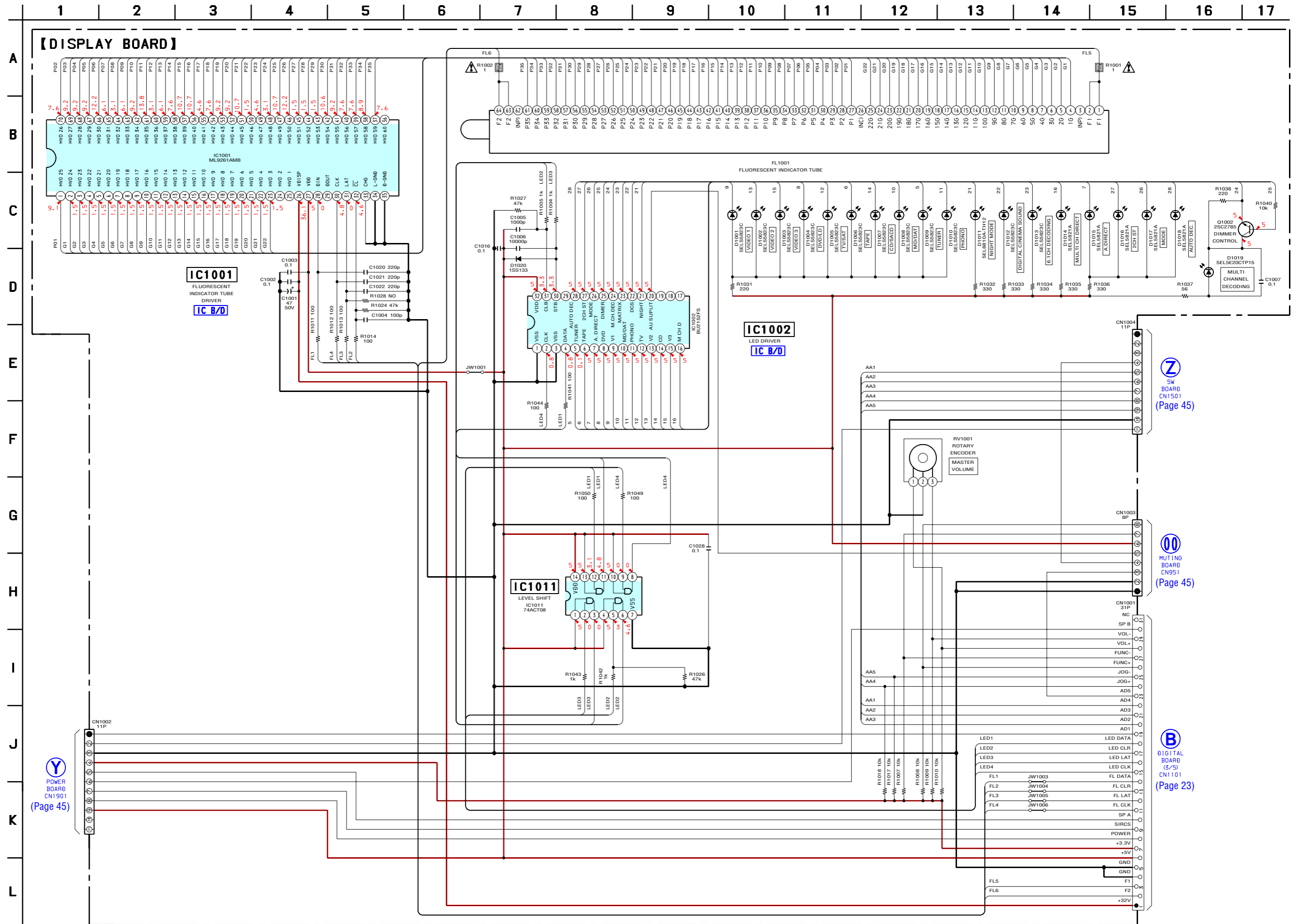
6-29. PRINTED WIRING BOARD – DISPLAY Board – • See page 20 for Circuit Boards Location.



• Semiconductor Location

| Ref. No. | Location | Ref. No. | Location |
|----------|----------|----------|----------|
| D1001    | D-10     | D1014    | D-11     |
| D1002    | D-11     | D1015    | D-10     |
| D1003    | D-11     | D1016    | D-8      |
| D1004    | D-10     | D1017    | D-9      |
| D1005    | D-11     | D1018    | D-8      |
| D1006    | D-10     | D1019    | E-7      |
| D1007    | D-11     | D1020    | B-11     |
| D1008    | D-11     |          |          |
| D1009    | D-10     | IC1001   | D-5      |
| D1010    | D-11     | IC1002   | B-11     |
| D1011    | D-2      | IC1011   | B-9      |
| D1012    | D-2      |          |          |
| D1013    | D-3      | Q1002    | E-5      |

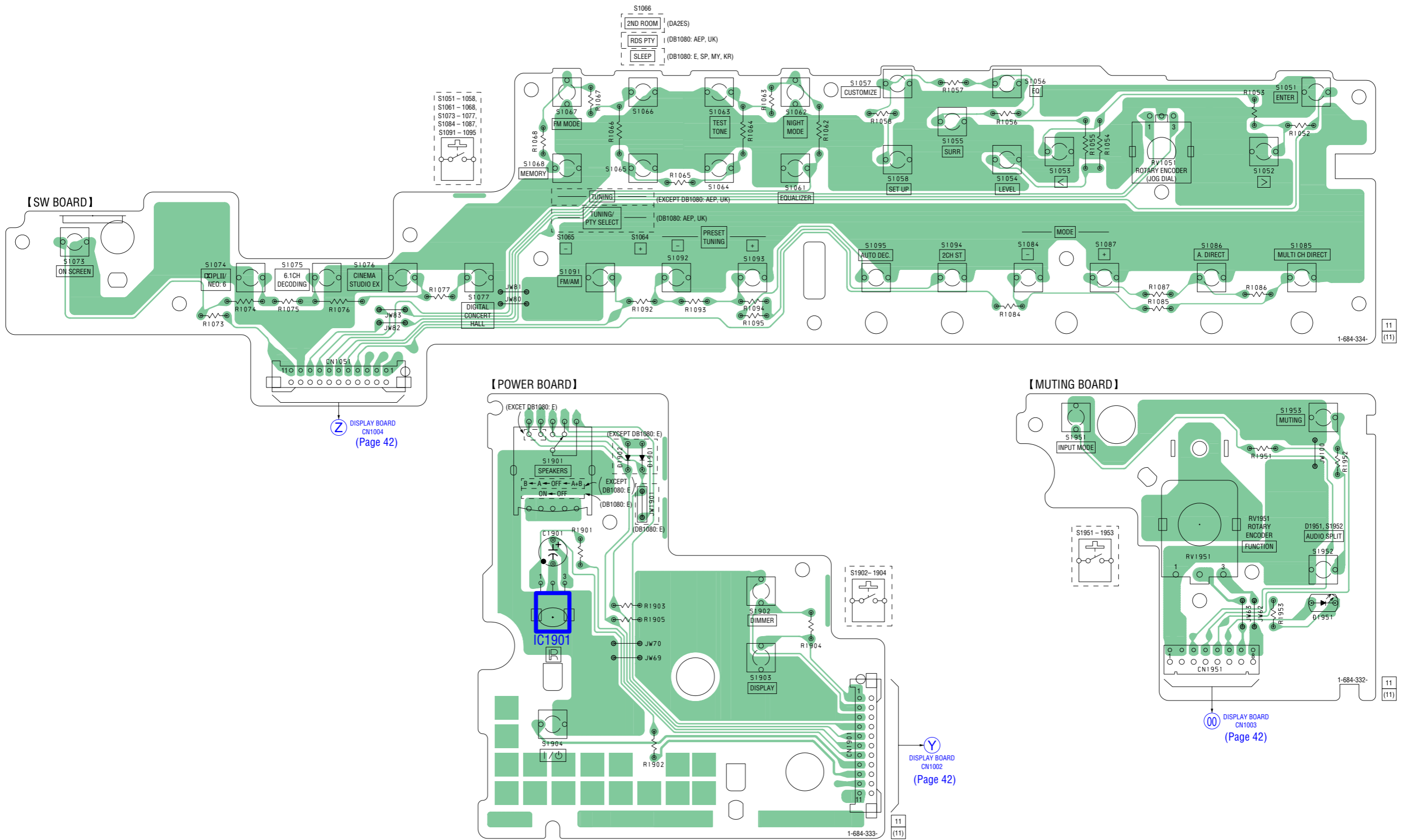
6-30. SCHEMATIC DIAGRAM – DISPLAY Board – • See page 50 for IC Block Diagrams.



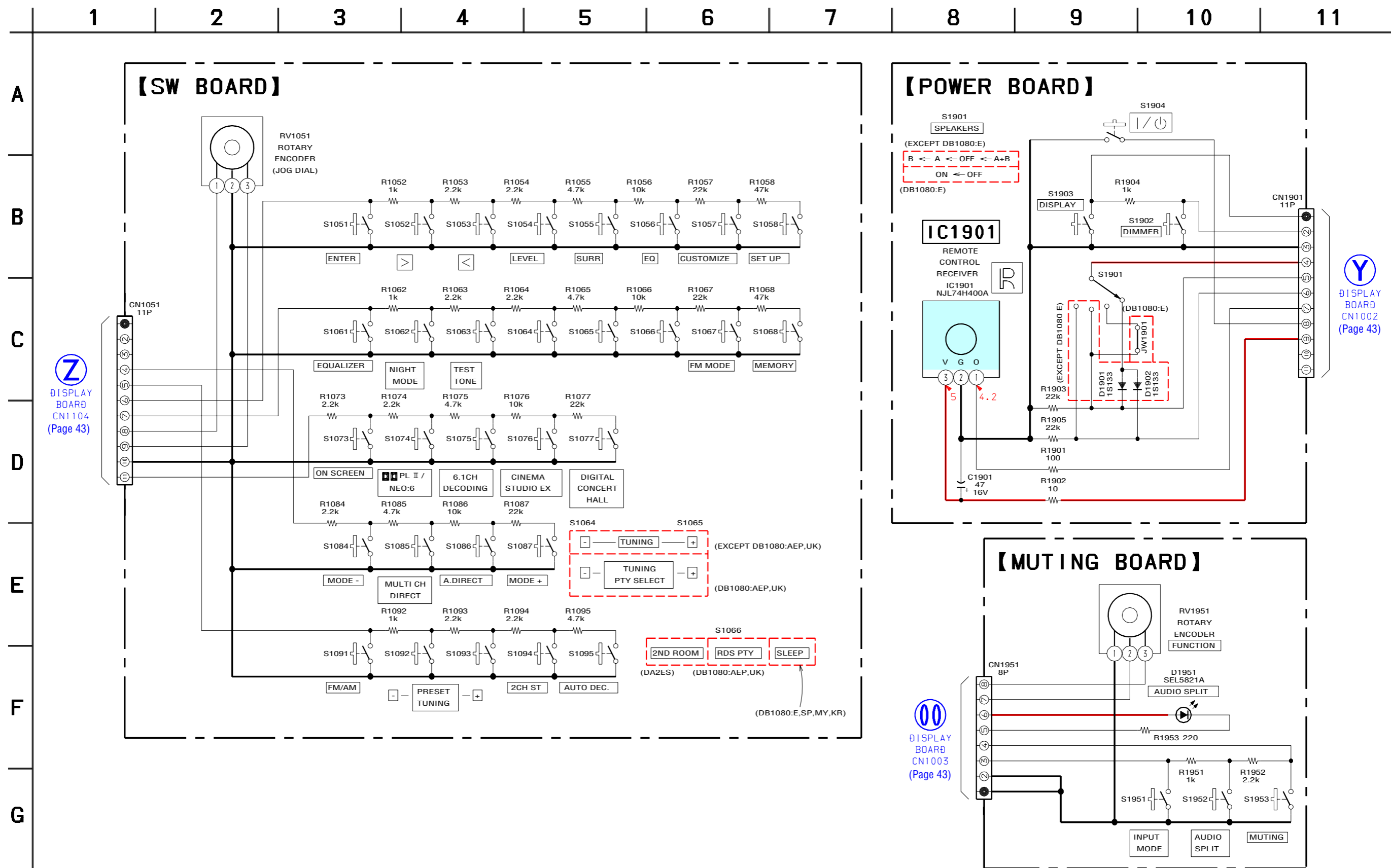
The components identified by mark  $\Delta$  or dotted line with mark  $\Delta$  are critical for safety. Replace only with part number specified.

Les composants identifiés par une marque  $\Delta$  sont critiques pour la sécurité. Ne les remplacer que par une pièce portant le numéro spécifié.

6-31. PRINTED WIRING BOARDS – MUTING/POWER/SW Boards – • See page 20 for Circuit Boards Location.



6-32. SCHEMATIC DIAGRAM – MUTING/POWER/SW Boards –



Z DISPLAY BOARD CN1104 (Page 43)

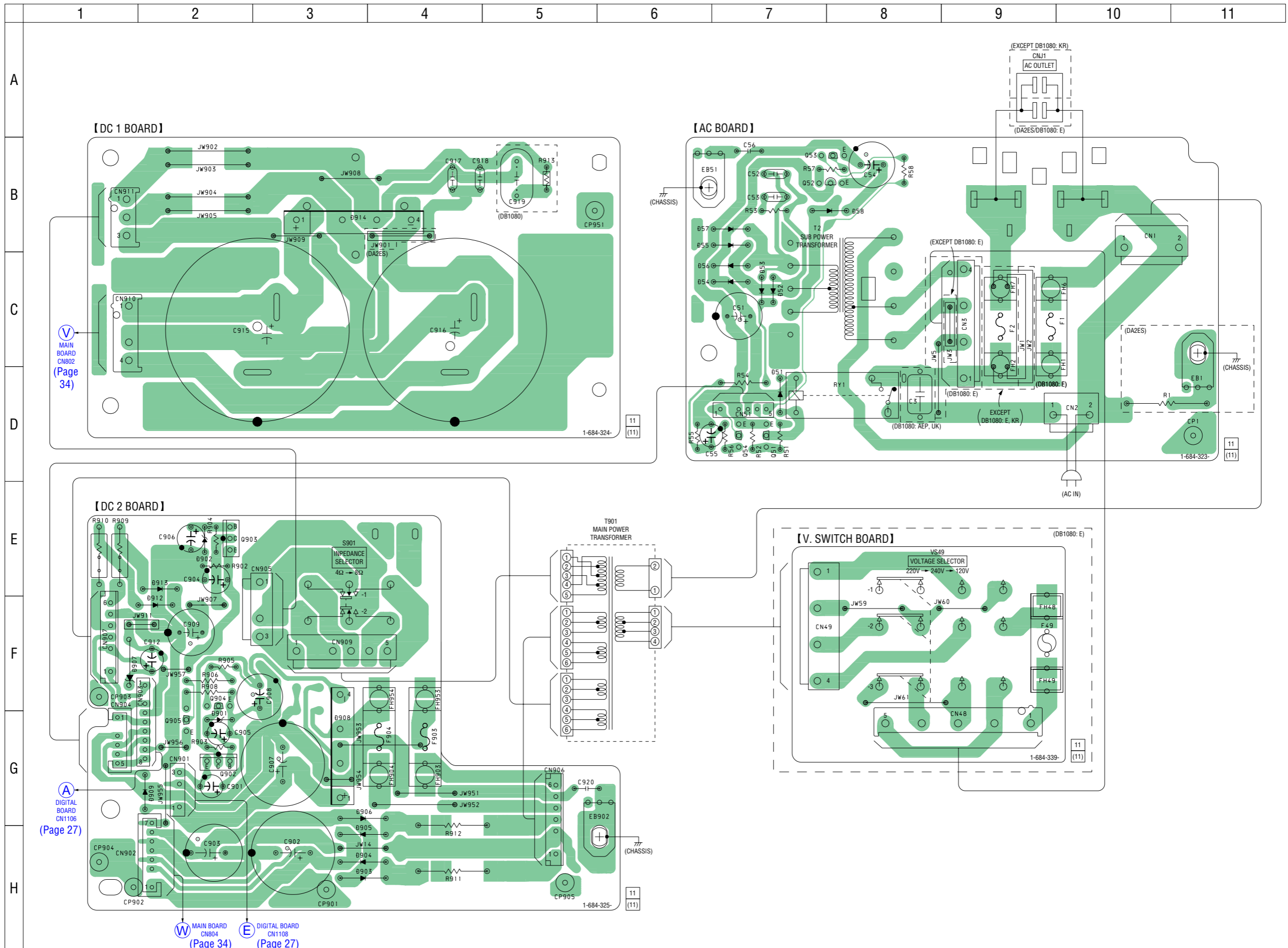
Y DISPLAY BOARD CN1002 (Page 43)

OO DISPLAY BOARD CN1003 (Page 43)

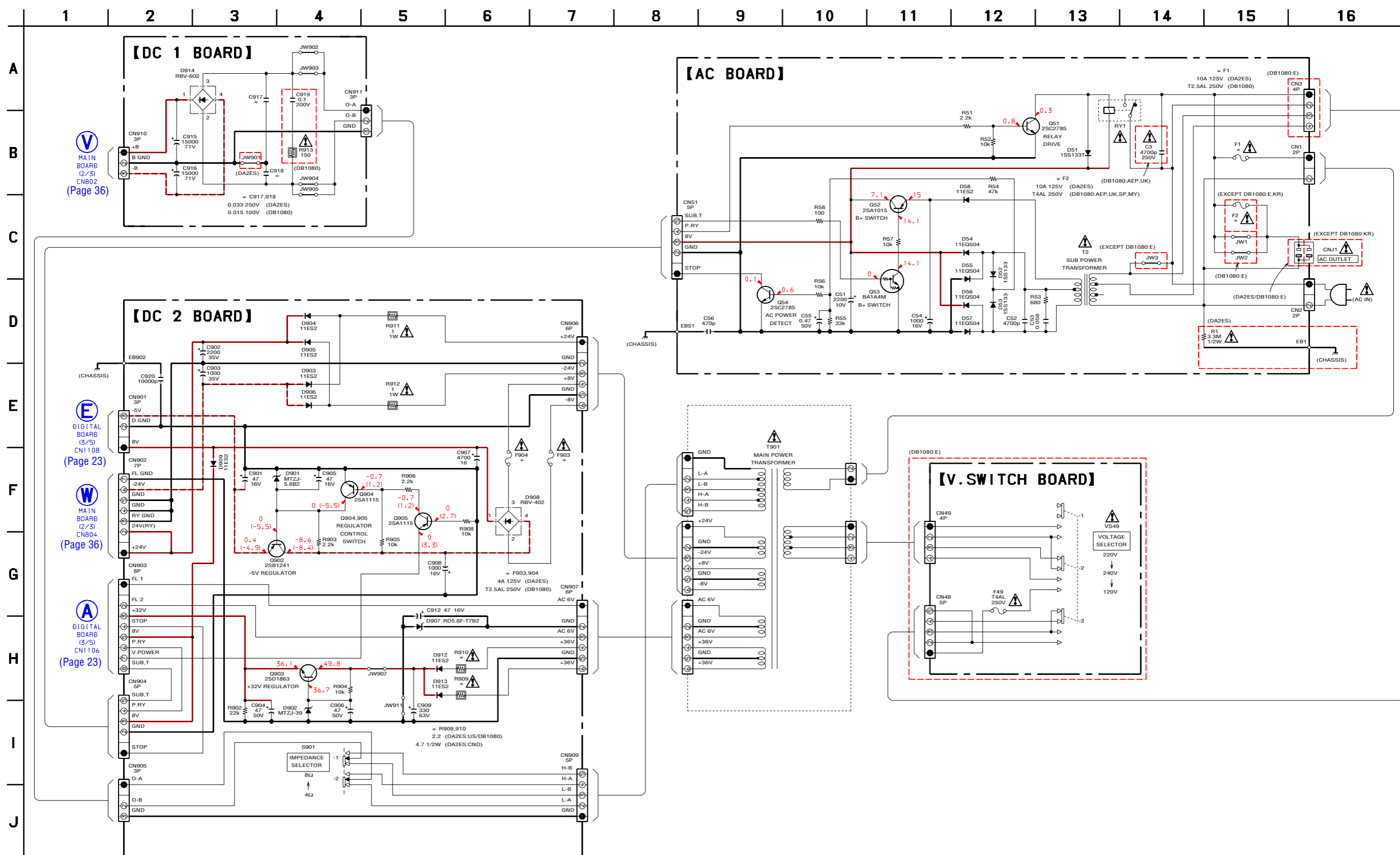
6-33. PRINTED WIRING BOARDS – AC/DC 1/DC 2/V.SWITCH Boards – • See page 20 for Circuit Boards Location.

• Semiconductor Location

| Ref. No. | Location |
|----------|----------|
| D51      | D-7      |
| D52      | C-7      |
| D53      | C-7      |
| D54      | C-7      |
| D55      | B-7      |
| D56      | C-7      |
| D57      | B-7      |
| D58      | B-8      |
| D901     | G-2      |
| D902     | E-2      |
| D903     | H-3      |
| D904     | H-3      |
| D905     | H-3      |
| D906     | G-3      |
| D907     | F-1      |
| D908     | G-3      |
| D909     | G-2      |
| D912     | F-2      |
| D913     | E-2      |
| D914     | B-3      |
| Q51      | D-7      |
| Q52      | B-8      |
| Q53      | B-8      |
| Q54      | D-7      |
| Q902     | G-2      |
| Q903     | E-2      |
| Q904     | F-2      |
| Q905     | G-2      |



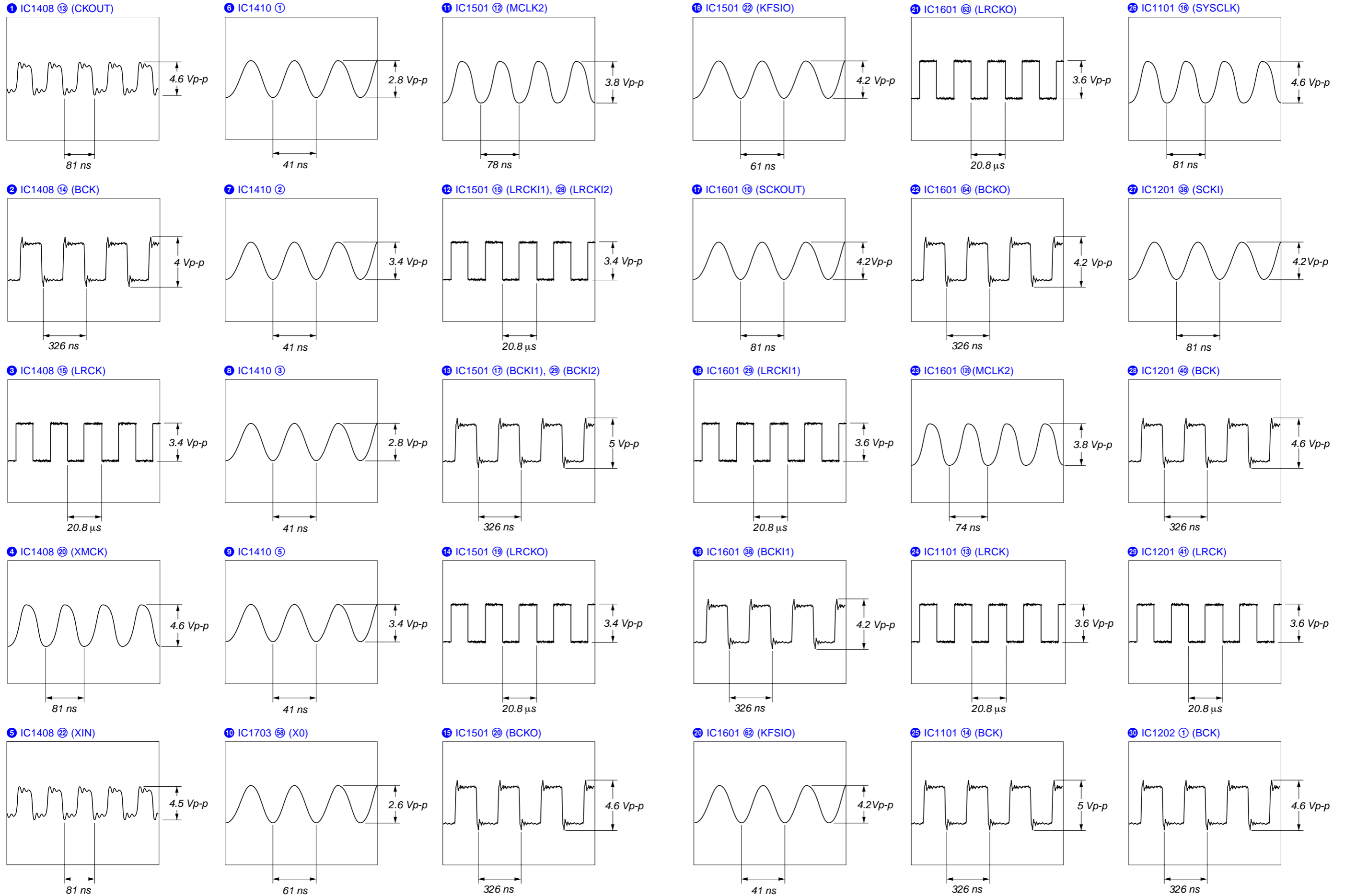
6-34. SCHEMATIC DIAGRAM – AC/DC 1/DC 2/V.SWITCH Boards –



The components identified by mark Δ or dotted line with mark Δ are critical for safety. Replace only with part number specified.

Les composants identifiés par une marque Δ sont critiques pour la sécurité. Ne les remplacer que par une pièce portant le numéro spécifié.

• Waveforms  
– DIGITAL Board –

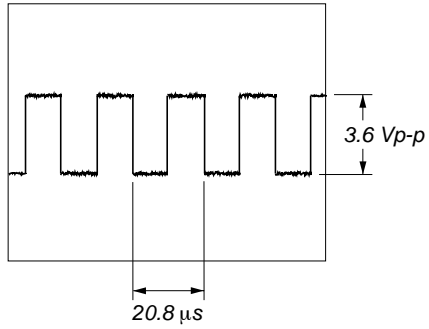




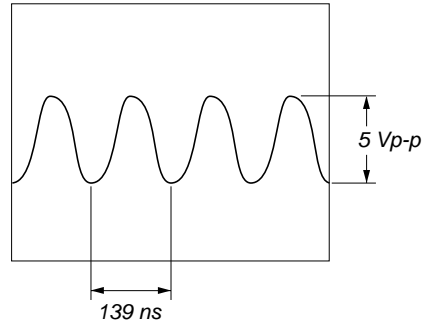
– VIDEO Board –

– UP CONVERT Board –

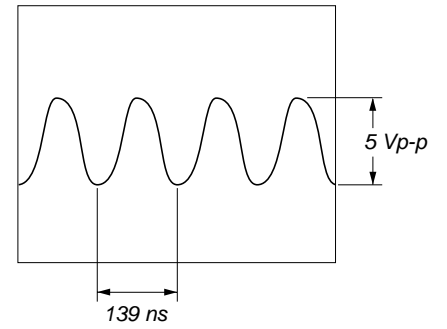
① IC1202 ③ (LRCK)



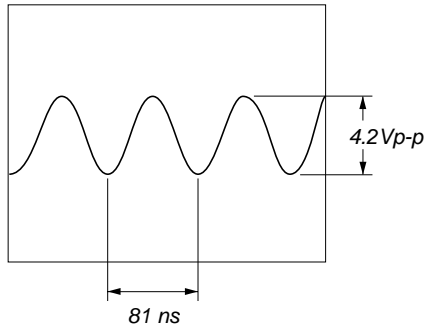
④ IC307 ⑩ (XD) (VIDEO 1 mode)



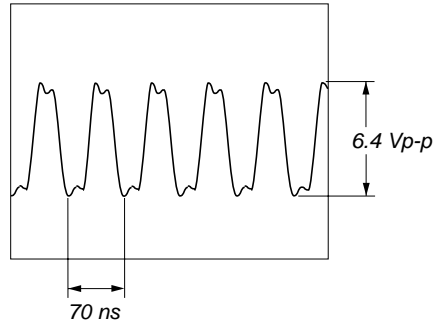
⑤ IC3101 ④ (XTAL) (VIDEO 1 mode) (STR-DA2ES)



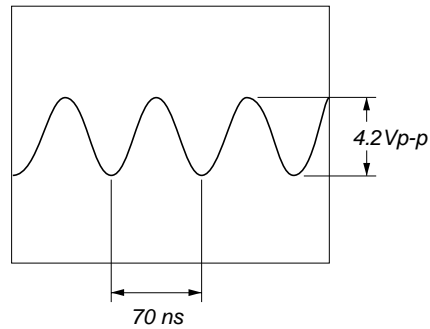
② IC1202 ⑩ (SCK)



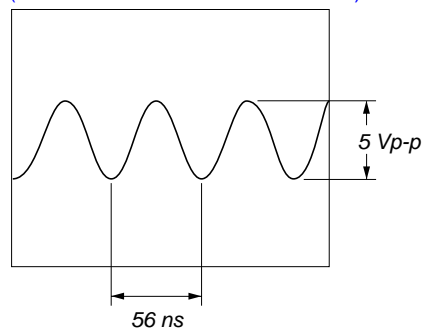
④ IC304 ⑧ (VIDEO 1 mode)



④ IC308 ⑪ (VIDEO 1 mode)

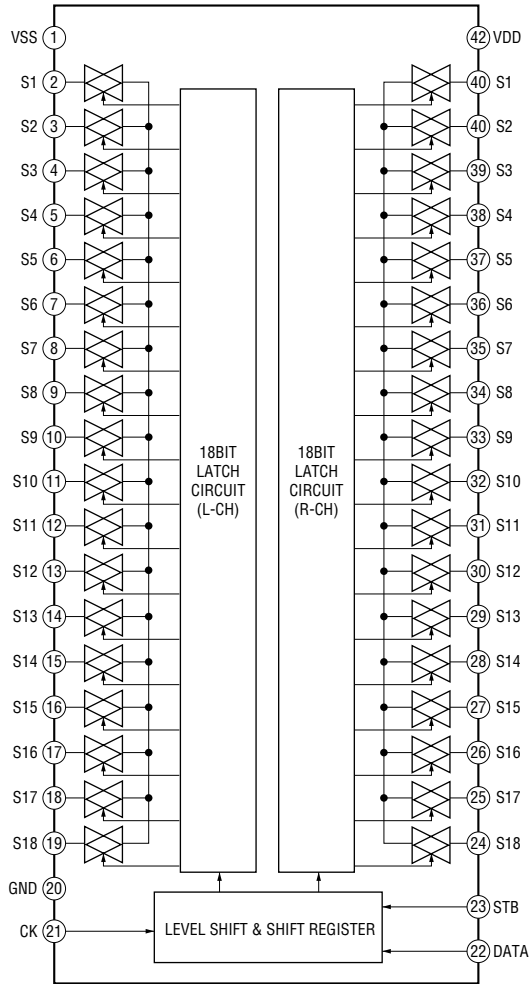


④ IC308 ⑬ (VIDEO 1 mode) (STR-DB1080: AEP and UK models)

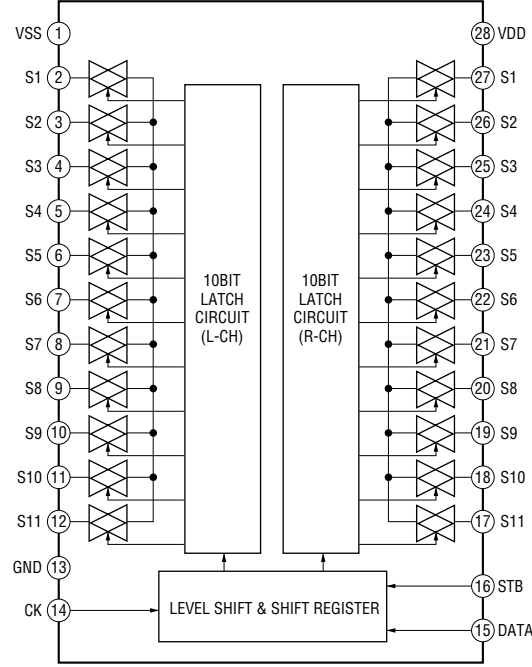


## • IC Block Diagrams

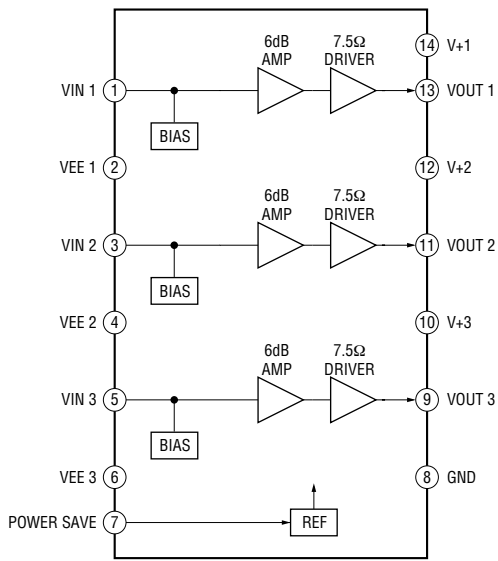
**IC111 TC9274N-016 (MAIN board)**



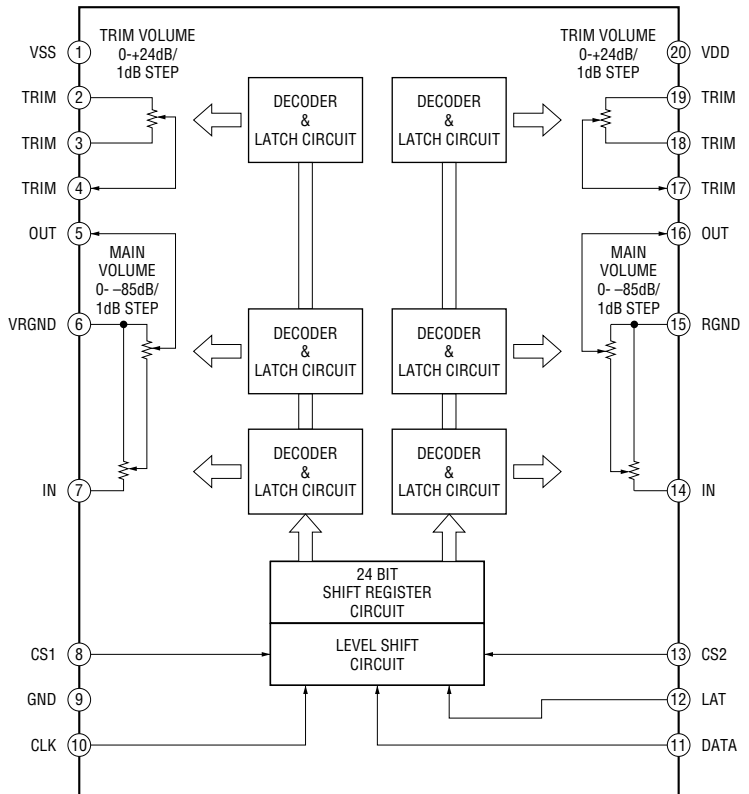
- IC151 TC9273N-004 (MAIN Board)**
- IC171 TC9273N-013 (MAIN Board (STR-DA2ES))**
- IC201 TC9273N-014 (VIDEO.AU Board)**
- IC751 TC9273F-012 (EL) (MIX Board)**



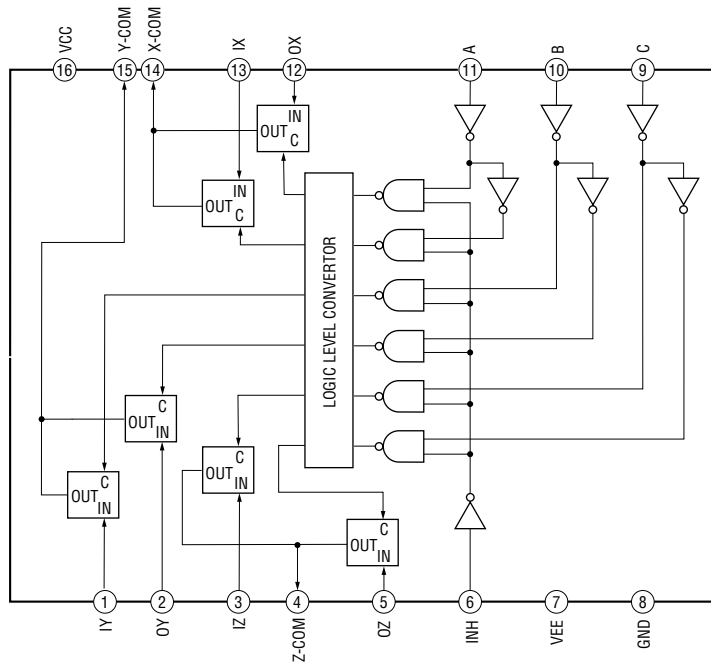
**IC301 NJM2581D (VIDEO Board (EXCEPT STR-DB1080: AEP and UK models))**



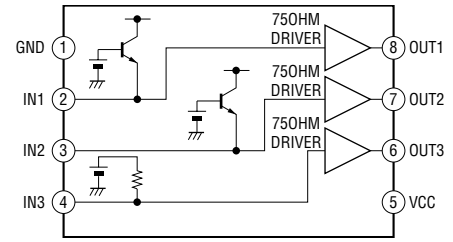
**IC173 TC94A07P (VIDEO.AU Board (STR-DA2ES))**



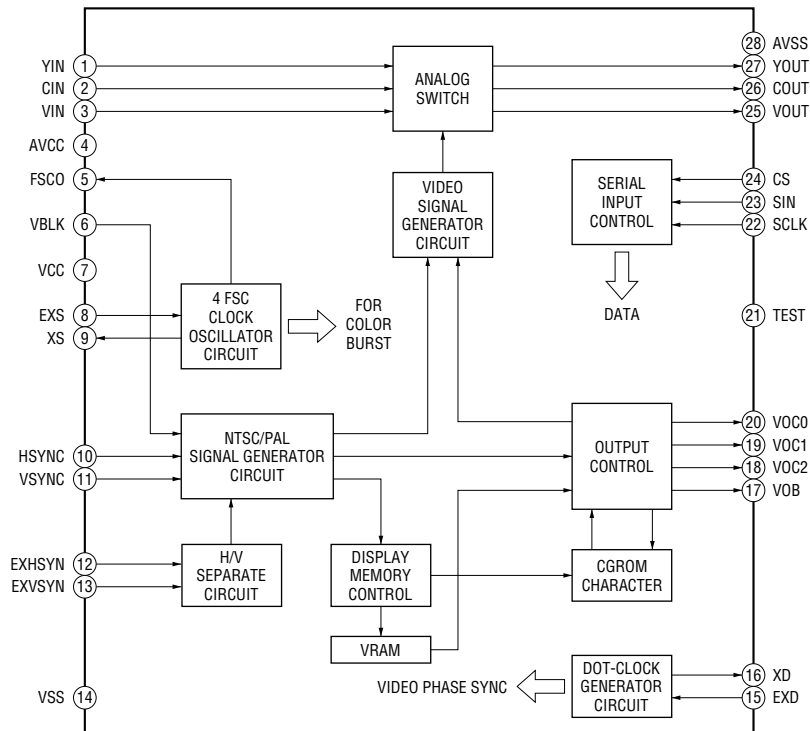
**IC303 TC74HC4053AP (VIDEO Board  
(EXCEPT STR-DB1080: AEP and UK models))**



**IC305 BA7622 (VIDEO Board)**

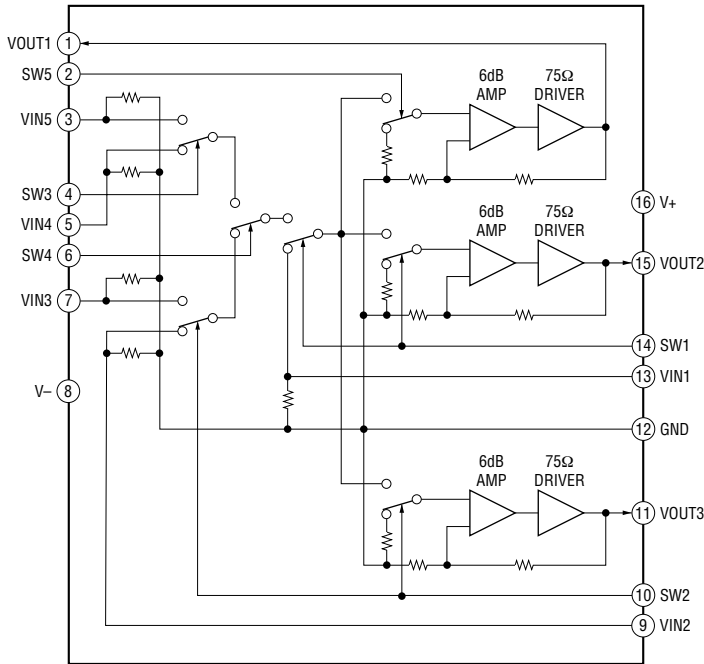


**IC307 MB90089F-G-238-BND (VIDEO Board (STR-DB1080))**

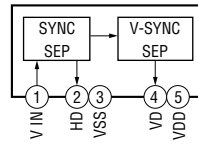


# STR-DA2ES/DB1080

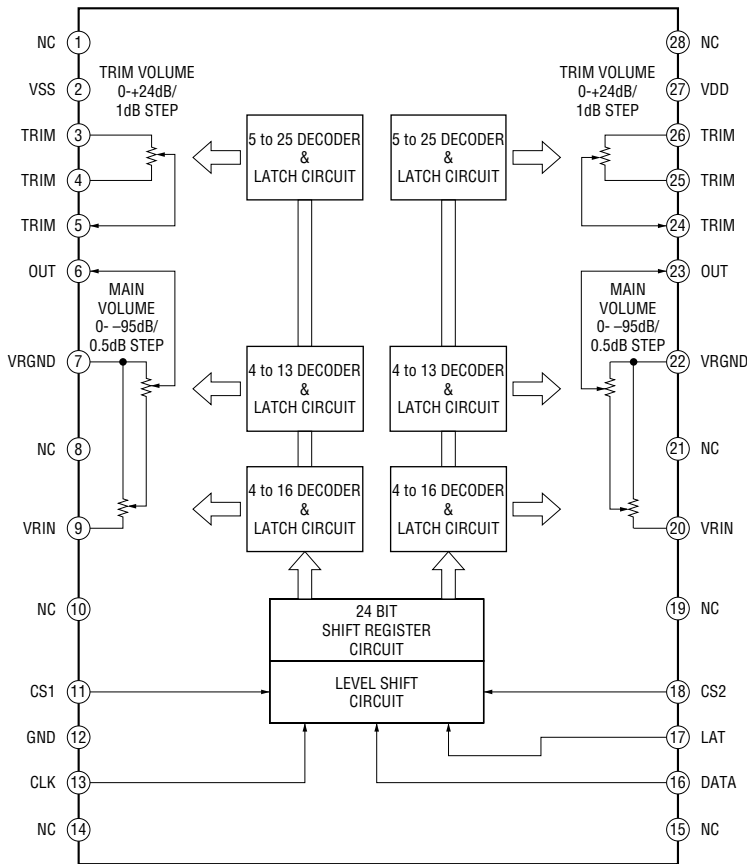
## IC308 NJM2595D (VIDEO Board) IC850, 852 NJM2595D (S-VDIEO Board)



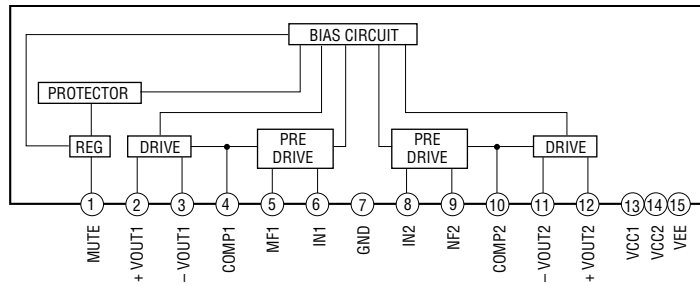
## IC309, 311 LA7213 (VIDEO Board (EXCEPT STR-DA2ES/DB1080: Korean models))



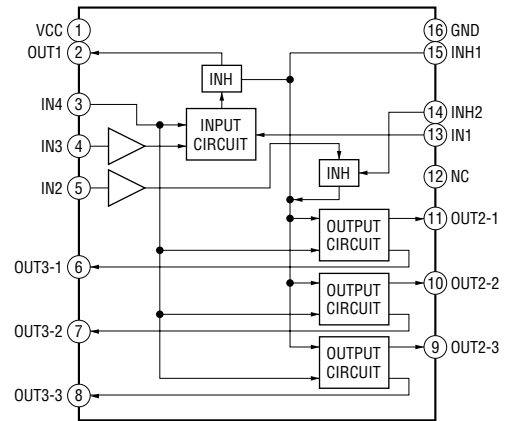
## IC401, 501, 601, 651 CXD9275M (MAIN Board)



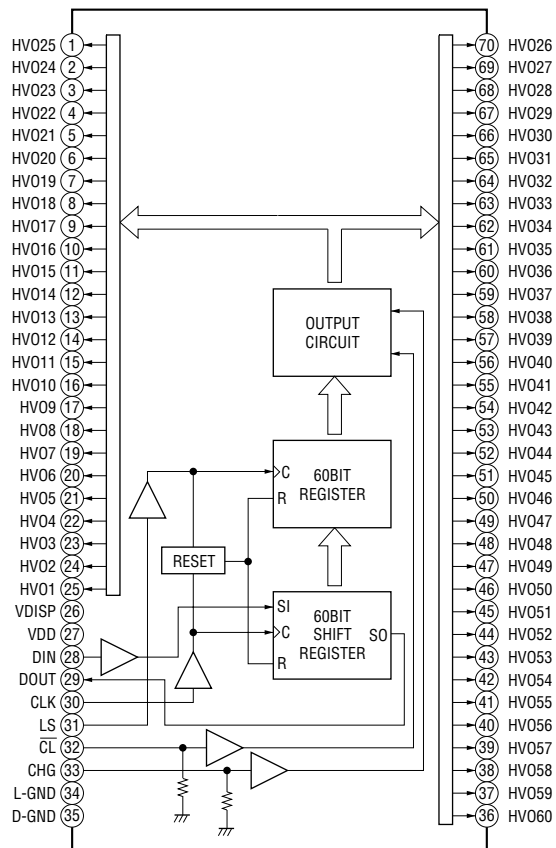
IC403, 503, 603  $\mu$ PC2581V-S (MAIN Board)



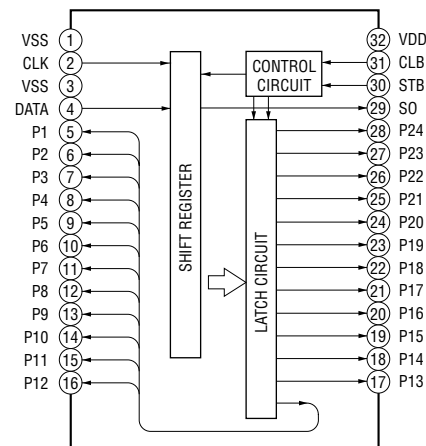
IC851 NJM2145D (S-VIDEO Board (STR-DA2ES))



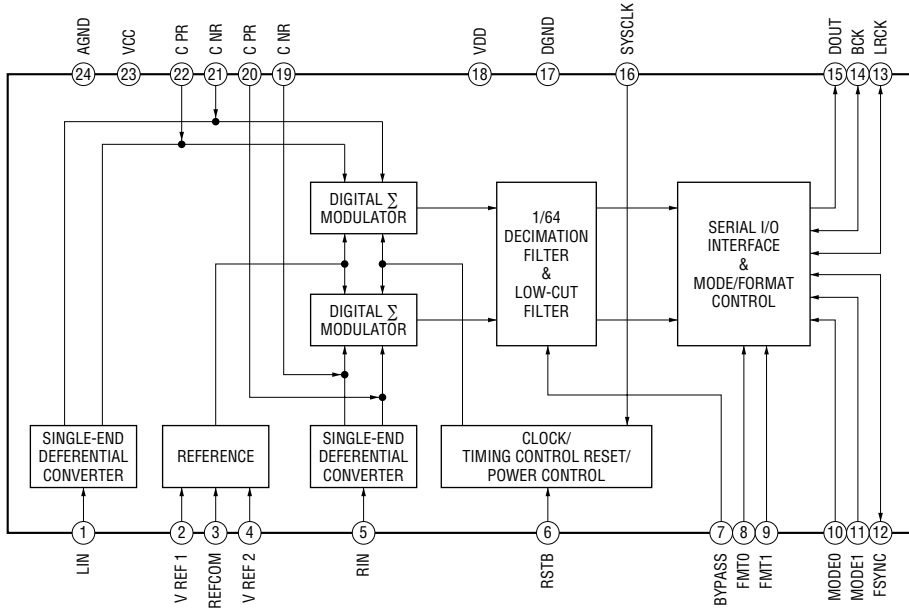
IC1001 ML9261AMB (DISPLAY Board)



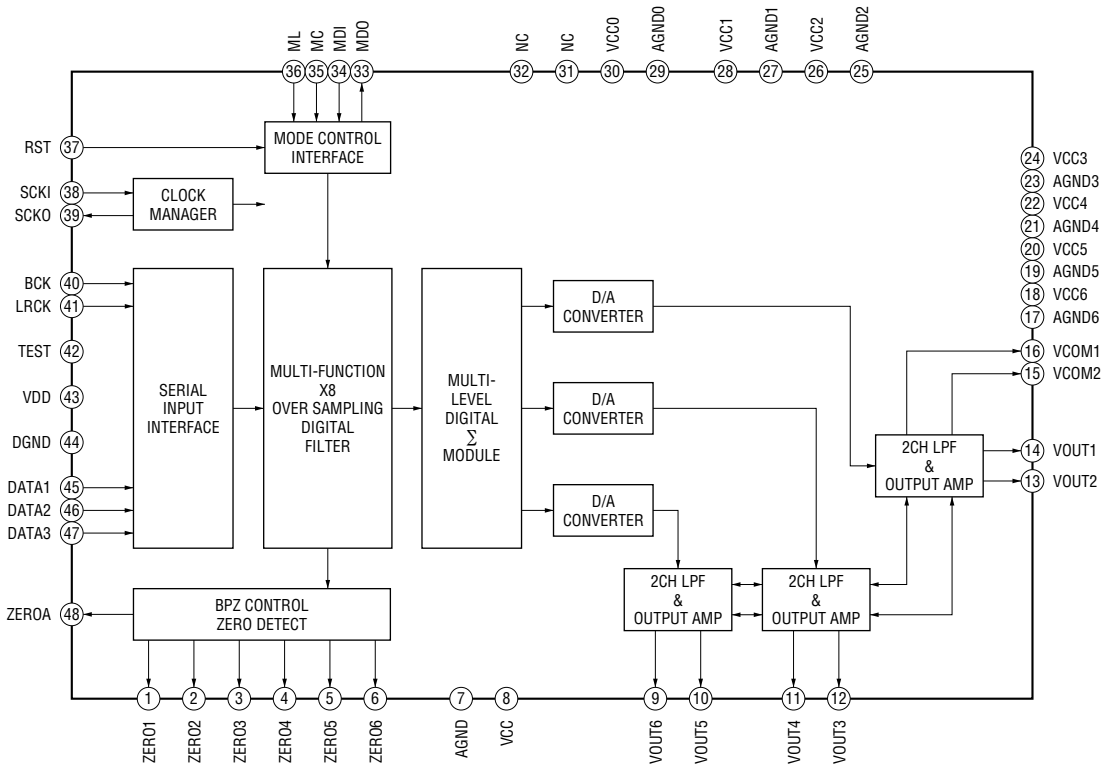
IC1002 BU2152FS (DISPLAY Board)



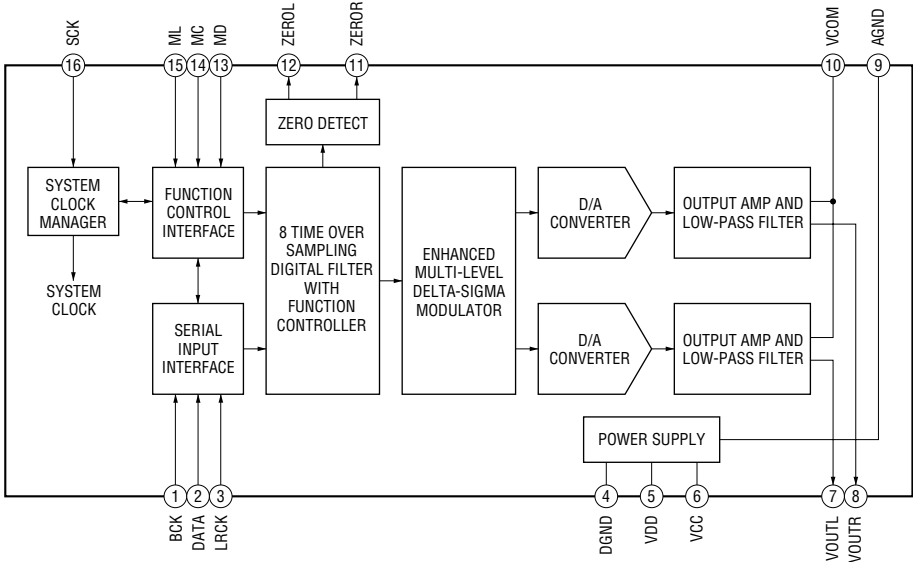
IC1101 PCM1800E/2K (DIGITAL Board)



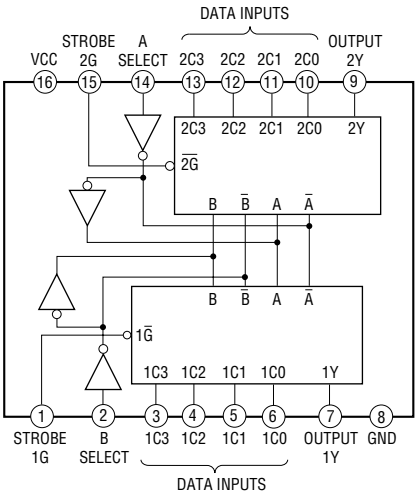
IC1201 PCM1604Y/2K (DIGITAL Board)



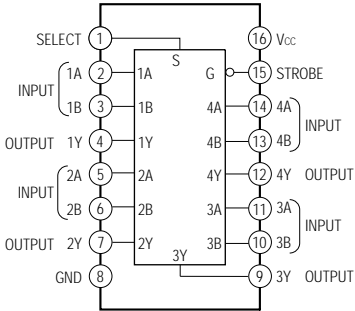
**IC1202 PCM1748E/2K (DIGITAL Board)**



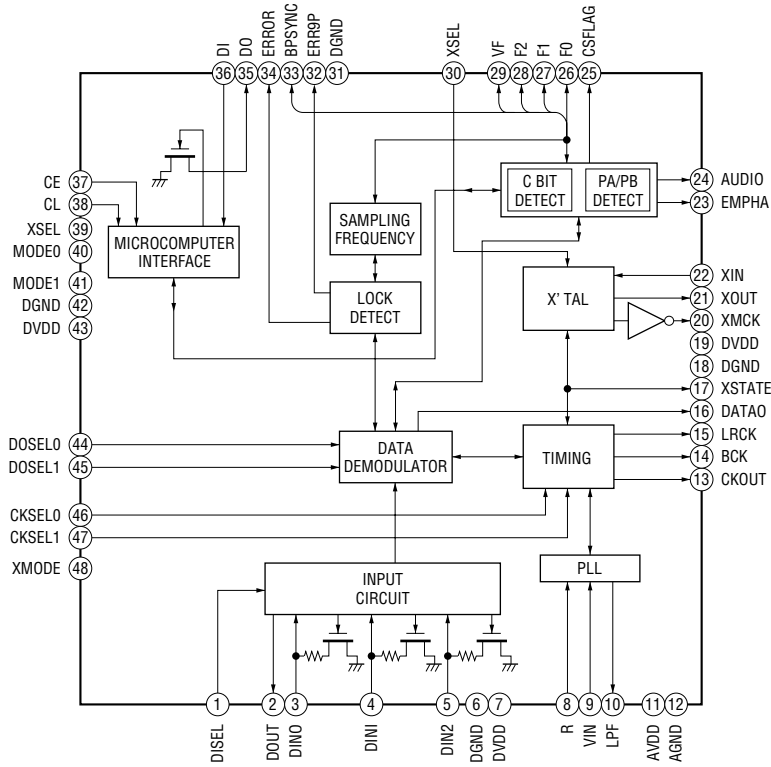
**IC1406 SN74HC153ANS (DIGITAL Board)**



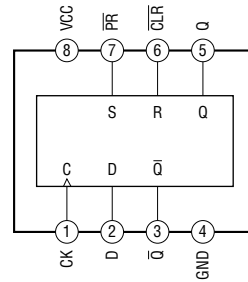
**IC1407, 1503 TC7WH157FU (TE12R) (DIGITAL Board)**



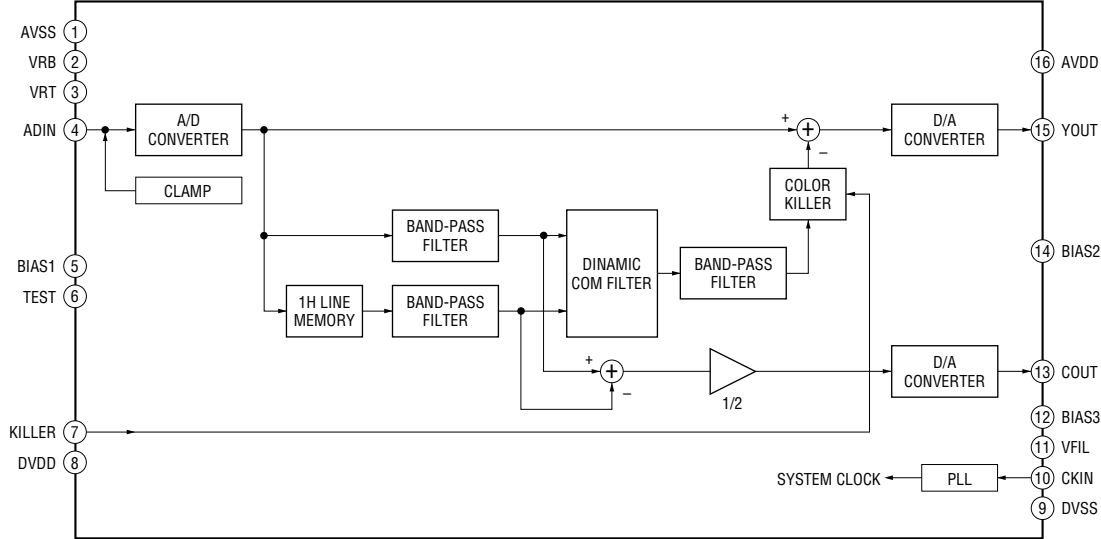
IC1408 LC89056W-E (DIGITAL Board)



IC1409 TC7WH74FU (TE12R) (DIGITAL Board)

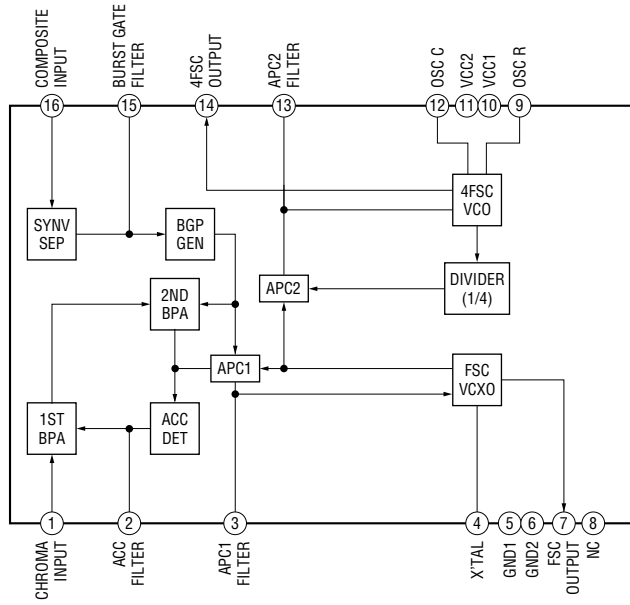


IC3100 TC90A45F (UP CONVERT Board (STR-DA2ES))





IC3101 MM1093F (UP CONVERT Board (STR-DA2ES))



## 6-35. IC PIN FUNCTION DESCRIPTION

## • DIGITAL BOARD IC1408 LC89056W-E (DIGITAL AUDIO INTERFACE RECEIVER)

| Pin No.  | Pin Name             | I/O | Description  |
|----------|----------------------|-----|--|
| 1        | DISEL                | I   | Selection signal input terminal of data input terminal Fixed at "L" in this set                                |
| 2        | DOUT                 | O   | Digital data output to the external output terminal  |
| 3        | DINO                 | I   | Digital data input from the external input terminal  |
| 4        | DIN1                 | I   | Digital data input terminal Not used   |
| 5        | DIN2                 | I   | Digital data input from the external input terminal  |
| 6        | DGND                 | —   | Ground terminal (for digital)  |
| 7        | DVDD                 | —   | Power supply terminal (+3.3V) (for digital)  |
| 8        | R                    | I   | Input terminal for VCO gain control  |
| 9        | VIN                  | I   | Input terminal for VCO free-run frequency setting  |
| 10       | LPF                  | O   | PLL loop filter setting terminal   |
| 11       | AVDD                 | —   | Power supply terminal (+3.3V) (for analog)   |
| 12       | AGND                 | —   | Ground terminal (for analog)   |
| 13       | CKOUT                | O   | Audio clock signal output to the audio digital signal processor 1/2  |
| 14       | BCK                  | O   | Bit clock signal (2.8224 MHz) output to the A/D converter and audio digital signal processor 1                 |
| 15       | LRCK                 | O   | L/R sampling clock signal (44.1 kHz) output to the A/D converter and audio digital signal processor 1          |
| 16       | DATAO                | O   | Audio serial data output to the audio digital signal processor 1 and system controller                         |
| 17       | XSTATE               | O   | Source clock selection monitor output to the system controller   |
| 18       | DGND                 | —   | Ground terminal (for digital)  |
| 19       | DVDD                 | —   | Power supply terminal (+3.3V) (for digital)  |
| 20       | XMCK                 | O   | System clock signal (24.576 MHz) output to the A/D converter   |
| 21       | XOUT                 | O   | System clock output terminal Not used  |
| 22       | XIN                  | I   | System clock signal (24.576 MHz) input   |
| 23       | EMPHA                | O   | Channel status emphasis information output terminal Not used   |
| 24       | AUDIO                | O   | Channel status bit 1 output to the audio digital signal processor 1  |
| 25       | CSFLAG               | O   | Channel status head 40 bit renewal flag output terminal Not used   |
| 26 to 29 | F0/P0/C0 to F3/P3/C3 | O   | Output terminal of input frequency calculation result Not used   |
| 30       | DVDD                 | —   | Power supply terminal (+3.3V) (for digital)  |
| 31       | DGND                 | —   | Ground terminal (for digital)  |
| 32       | AUTO                 | O   | Not used   |
| 33       | BPSYNC               | O   | Non-PCM burst preamble sync signal output terminal Not used  |
| 34       | ERROR                | O   | PLL lock error signal and data error flag output to the audio digital signal processor 1 and system controller |
| 35       | DO                   | O   | Read data output to the system controller  |
| 36       | DI                   | I   | Write data input from the system controller  |
| 37       | CE                   | I   | Chip enable signal input from the system controller  |
| 38       | CLK                  | I   | Clock signal input from the system controller  |
| 39       | XSEL                 | I   | Selection signal input terminal of crystal oscillator frequency Fixed at "H" in this set                       |
| 40, 41   | MODE0, MODE1         | I   | Mode setting terminal  |
| 42       | DGND                 | —   | Ground terminal (for digital)  |
| 43       | DVDD                 | —   | Power supply terminal (+3.3V) (for digital)  |
| 44, 45   | DOSEL0, DOSEL1       | I   | Output data format selection signal input terminal Fixed at "L" in this set                                    |
| 46       | CKSEL0               | I   | Output clock selection signal input terminal Fixed at "L" in this set  |
| 47       | CKSEL1               | I   | Output clock selection signal input from the system controller   |
| 48       | XMODE                | I   | System reset signal input from the system controller "L": reset  |

## • DIGITAL BOARD IC1501 CXD9718Q (AUDIO DIGITAL SIGNAL PROCESSOR 1)

| Pin No.  | Pin Name     | I/O | Description  |
|----------|--------------|-----|--|
| 1        | VSS          | —   | Ground terminal  |
| 2        | XRST         | I   | System reset signal input from the system controller “L”: reset  |
| 3        | EXTIN        | I   | Master clock signal input terminal Not used  |
| 4        | FS2          | I   | Sampling frequency selection signal input terminal Not used  |
| 5        | VDDI         | —   | Power supply terminal (+2.5V)  |
| 6        | FS1          | I   | Sampling frequency selection signal input terminal Not used  |
| 7        | PLOCK        | O   | Internal PLL lock signal output terminal Not used  |
| 8        | VSS          | —   | Ground terminal  |
| 9        | MCLK1        | I   | System clock input terminal (12.866 MHz)   |
| 10       | VDDI         | —   | Power supply terminal (+2.5V)  |
| 11       | VSS          | —   | Ground terminal  |
| 12       | MCLK2        | O   | System clock output terminal (12.866 MHz)  |
| 13       | MS           | I   | Master/slave setting terminal “L”: internal clock, “H”: external clock<br>Fixed at “L” in this set     |
| 14       | SCKOUT       | O   | Internal system clock output terminal Not used   |
| 15       | LRCKI1       | I   | L/R sampling clock signal (44.1 kHz) input from the A/D converter and digital audio interface receiver |
| 16       | VDDE         | —   | Power supply terminal (+3.3V)  |
| 17       | BCKI1        | I   | Bit clock signal (2.8224 MHz) input from the A/D converter and digital audio interface receiver        |
| 18       | SDI1         | I   | Audio serial data input from the A/D converter   |
| 19       | LRCKO        | O   | L/R sampling clock signal (44.1 kHz) output to the audio digital signal processor 2                    |
| 20       | BCKO         | O   | Bit clock signal (2.8224 MHz) output to the audio digital signal processor 2                           |
| 21       | VSS          | —   | Ground terminal  |
| 22       | KFSIO        | I   | Audio clock signal input from the digital audio interface receiver                                     |
| 23 to 26 | SDO1 to SDO4 | O   | Audio serial data output to the audio digital signal processor 2                                       |
| 27       | SPDIF        | O   | SPDIF signal output terminal Not used  |
| 28       | LRCKI2       | I   | L/R sampling clock signal (44.1 kHz) input from the A/D converter and digital audio interface receiver |
| 29       | BCKI2        | I   | Bit clock signal (2.8224 MHz) input from the A/D converter and digital audio interface receiver        |
| 30       | SDI2         | I   | Audio serial data input from the digital audio interface receiver                                      |
| 31       | VSS          | —   | Ground terminal  |
| 32       | HACN         | O   | Acknowledge signal output to the system controller   |
| 33       | HDIN         | I   | Serial data input from the system controller   |
| 34       | HCLK         | I   | Serial data transfer clock signal input from the system controller                                     |
| 35       | HDOUT        | O   | Serial data output to the system controller  |
| 36       | HCS          | I   | Chip select input from the system controller   |
| 37       | SDCLK        | O   | SD-RAM clock output terminal Not used  |
| 38       | CLKEN        | O   | SD-RAM chip enable output terminal Not used  |
| 39       | RAS          | O   | Row address strobe signal output terminal Not used   |
| 40       | VDDI         | —   | Power supply terminal (+2.5V)  |
| 41       | VSS          | —   | Ground terminal  |
| 42       | CAS          | O   | Column address strobe signal output terminal Not used  |
| 43       | DQM/OE0      | O   | Output terminal of data input/output mask Not used   |
| 44       | CS0          | O   | Chip select signal output terminal Not used  |
| 45       | WE0          | O   | Write enable signal output terminal Not used   |

| Pin No.    | Pin Name              | I/O | Description   |
|------------|-----------------------|-----|---|
| 46         | VDDE                  | —   | Power supply terminal (+3.3V)   |
| 47         | WMD1                  | I   | External memory wait mode setting terminal Fixed at “H” in this set                                 |
| 48         | VSS                   | —   | Ground terminal   |
| 49         | WMD0                  | I   | External memory wait mode setting terminal Fixed at “H” in this set                                 |
| 50         | PAGE2                 | O   | External memory page selection signal output terminal Not used                                      |
| 51         | VSS                   | —   | Ground terminal   |
| 52, 53     | PAGE1, PAGE0          | O   | External memory page selection signal output terminal Not used                                      |
| 54         | BOOT                  | I   | Boot mode control signal input terminal Not used  |
| 55         | BTACT                 | O   | Boot mode state display signal output terminal Not used   |
| 56         | BST                   | I   | Boot strap signal input from the system controller  |
| 57         | MOD1                  | I   | Operation mode setting terminal “L”: enhanced mode, “H”: normal mode<br>Fixed at “H” in this set    |
| 58         | MOD0                  | I   | Operation mode setting terminal “L”: single chip mode, “H”: can not use<br>Fixed at “L” in this set |
| 59         | EXLOCK                | I   | PLL lock error signal and data error flag input from the digital audio interface receiver           |
| 60         | VDDI                  | —   | Power supply terminal (+2.5V)   |
| 61         | VSS                   | —   | Ground terminal   |
| 62 to 66   | A17 to A13            | O   | Address signal output terminal Not used   |
| 67         | GP10                  | —   | Not used  |
| 68         | GP9                   | O   | Audio signal output to the system controller  |
| 69         | GP8                   | I   | Channel status bit 1 input from the digital audio interface receiver                                |
| 70         | VDDI                  | —   | Power supply terminal (+2.5V)   |
| 71         | VSS                   | —   | Ground terminal   |
| 72 to 75   | D15/GP7 to<br>D12/GP4 | I/O | Two-way data bus terminal Not used  |
| 76         | VDDE                  | —   | Power supply terminal (+3.3V)   |
| 77 to 80   | D11/GP3 to<br>D8/GP0  | I/O | Two-way data bus terminal Not used  |
| 81         | VSS                   | —   | Ground terminal   |
| 82 to 85   | A9, A12 to A10        | O   | Address signal output terminal Not used   |
| 86         | TDO                   | O   | Simplicity emulation data output terminal Not used  |
| 87         | TMS                   | I   | Simplicity emulation data input start and end terminal Not used                                     |
| 88         | XTRST                 | I   | Simplicity emulation non-sync break signal input terminal Not used                                  |
| 89         | TCK                   | I   | Simplicity emulation clock signal input terminal Not used   |
| 90         | TDI                   | I   | Simplicity emulation data input terminal Not used   |
| 91         | VSS                   | —   | Ground terminal   |
| 92 to 97   | A8 to A3              | O   | Address signal output terminal Not used   |
| 98, 99     | D7, D6                | I/O | Two-way data bus terminal Not used  |
| 100        | VDDI                  | —   | Power supply terminal (+2.5V)   |
| 101        | VSS                   | —   | Ground terminal   |
| 102 to 105 | D5 to D2              | I/O | Two-way data bus terminal Not used  |
| 106        | VDDE                  | —   | Power supply terminal (+3.3V)   |
| 107, 108   | D1, D0                | I/O | Two-way data bus terminal Not used  |
| 109, 110   | A2, A1                | O   | Address signal output terminal Not used   |
| 111        | VSS                   | —   | Ground terminal   |

| Pin No.    | Pin Name   | I/O | Description  |
|------------|------------|-----|--|
| 112        | A0         | O   | Address signal output terminal Not used  |
| 113        | PM         | I   | PLL initialize signal input from the system controller                           |
| 114        | SDI3, SDI4 | I   | Audio serial data input terminal Not used  |
| 116        | SYNC       | I   | Sync/non-sync setting terminal “L”: sync, “H”: non-sync Fixed at “H” in this set |
| 117 to 119 | VSS        | —   | Ground terminal  |
| 120        | VDDI       | —   | Power supply terminal (+2.5V)  |

## • DIGITAL BOARD IC1601 CXD9616BR (AUDIO DIGITAL SIGNAL PROCESSOR 2)

| Pin No.  | Pin Name       | I/O | Description   |
|----------|----------------|-----|---|
| 1        | VDDI           | —   | Power supply terminal (+2.5V)   |
| 2        | EXTIN          | I   | Master clock signal input terminal Not used   |
| 3, 4     | WMD1, WMD0     | I   | External memory wait mode setting terminal Fixed at “H” in this set                                 |
| 5        | MOD1           | I   | Operation mode setting terminal “L”: enhanced mode, “H”: normal mode<br>Fixed at “H” in this set    |
| 6        | MOD0           | I   | Operation mode setting terminal “L”: single chip mode, “H”: can not use<br>Fixed at “L” in this set |
| 7        | VSS            | —   | Ground terminal   |
| 8        | XRST           | I   | System reset signal input from the system controller “L”: reset                                     |
| 9        | VSS            | —   | Ground terminal   |
| 10       | SCKOUT         | O   | Internal serial clock signal output to the D/A converter  |
| 11       | VDDI (PLL)     | —   | Power supply terminal (+2.5V) (for PLL)   |
| 12       | SYNC           | I   | Sync/non-sync setting terminal “L”: sync, “H”: non-sync Fixed at “H” in this set                    |
| 13 to 15 | PAGE2 to PAGE0 | O   | External memory page selection signal output terminal Not used                                      |
| 16       | PLOCK          | O   | Internal PLL lock signal output terminal Not used   |
| 17       | BTACK          | I   | Boot mode state display signal output terminal Not used   |
| 18       | VDDE           | —   | Power supply terminal (+3.3V)   |
| 19       | VSS            | —   | Ground terminal   |
| 20 to 22 | D31 to D29     | I/O | Two-way data bus with the S-RAM   |
| 23       | A17            | O   | Address signal output terminal Not used   |
| 24       | VSS            | —   | Ground terminal   |
| 25       | SDO3           | O   | Audio serial data output to the D/A converter   |
| 26       | SDO4           | O   | Audio serial data output to the D/A converter   |
| 27, 28   | SDI1, SDI2     | I   | Audio serial data input from the audio digital signal processor 1                                   |
| 29       | LRCKI1         | I   | L/R sampling clock signal (44.1 kHz) input from the audio digital signal processor 1                |
| 30       | VSS            | —   | Ground terminal   |
| 31, 32   | D28, D27       | I/O | Two-way data bus with the S-RAM   |
| 33       | A16            | O   | Address signal output terminal Not used   |
| 34       | A15            | O   | Address signal output to the S-RAM  |
| 35       | SDI3           | I   | Audio serial data input from the audio digital signal processor 1                                   |
| 36       | L2             | —   | Not used  |
| 37       | VDDI           | —   | Power supply terminal (+2.5V)   |
| 38       | BCKI1          | I   | Bit clock signal (2.8224 MHz) input from the audio digital signal processor 1                       |
| 39       | SDI4           | I   | Audio serial data input from the audio digital signal processor 1                                   |
| 40       | MS             | I   | Master/slave setting terminal “L”: internal clock, “H”: external clock<br>Fixed at “L” in this set  |
| 41, 42   | A14, A13       | O   | Address signal output to the S-RAM  |
| 43, 44   | D26, D25       | I/O | Two-way data bus with the S-RAM   |
| 45       | VSS            | —   | Ground terminal   |
| 46       | BCKI2          | I   | Bit clock signal (2.8224 MHz) input terminal Not used   |
| 47, 48   | FS2, FS1       | I   | Sampling frequency selection signal input terminal Not used   |
| 49       | SPDIF          | I   | SPDIF signal output terminal Not used   |
| 50       | A12            | O   | Address signal output to the S-RAM  |
| 51 to 53 | D24 to D22     | I/O | Two-way data bus with the S-RAM   |
| 54       | VDDE           | —   | Power supply terminal (+3.3V)   |
| 55       | VSS            | —   | Ground terminal   |

| Pin No.  | Pin Name   | I/O | Description  |
|----------|------------|-----|--|
| 56 to 58 | D21 to D19 | I/O | Two-way data bus with the S-RAM                                    |
| 59       | A11        | O   | Address signal output to the S-RAM                                 |
| 60, 61   | SDO1, SDO2 | O   | Audio serial data output to the D/A converter                      |
| 62       | KFSIO      | I   | Audio clock signal input from the digital audio interface receiver |
| 63       | LRCKO      | O   | L/R sampling clock signal (44.1 kHz) output to the D/A converter   |
| 64       | BCKO       | O   | Bit clock signal (2.8224 MHz) output to the D/A converter          |
| 65       | VDDI       | —   | Power supply terminal (+2.5V)                                      |
| 66       | VSS        | —   | Ground terminal  |
| 67, 68   | D18, D17   | I/O | Two-way data bus with the S-RAM                                    |
| 69, 70   | A10, A9    | O   | Address signal output to the S-RAM                                 |
| 71       | CAS        | O   | Column address strobe signal output terminal Not used              |
| 72       | RAS        | O   | Row address strobe signal output terminal Not used                 |
| 73       | VDDI       | —   | Power supply terminal (+2.5V)                                      |
| 74       | HDIN       | I   | Serial data input from the system controller                       |
| 75       | HCLK       | I   | Serial data transfer clock signal input from the system controller |
| 76       | HCS        | I   | Chip select signal input from the system controller                |
| 77, 78   | A8, A7     | O   | Address signal output to the S-RAM                                 |
| 79       | D16        | I/O | Two-way data bus with the S-RAM                                    |
| 80       | D15        | I/O | Two-way data bus terminal Not used                                 |
| 81       | VSS        | —   | Ground terminal  |
| 82       | HDOUT      | O   | Serial data output to the system controller                        |
| 83       | HACN       | O   | Acknowledge signal output to the system controller                 |
| 84       | CSO        | O   | Chip select signal output to the S-RAM                             |
| 85       | WEO        | O   | Write enable signal output to the S-RAM                            |
| 86       | A6         | O   | Address signal output to the S-RAM                                 |
| 87 to 89 | D14 to D12 | I/O | Two-way data bus terminal Not used                                 |
| 90       | VDDE       | —   | Power supply terminal (+3.3V)                                      |
| 91       | VSS        | —   | Ground terminal  |
| 92 to 94 | D11 to D9  | I/O | Two-way data bus terminal Not used                                 |
| 95       | A5         | O   | Address signal output to the S-RAM                                 |
| 96       | VDDI       | —   | Power supply terminal (+2.5V)                                      |
| 97       | TCK        | I   | Simplicity emulation clock signal input terminal Not used          |
| 98       | TDI        | I   | Simplicity emulation data input terminal Not used                  |
| 99       | TDO        | O   | Simplicity emulation data input terminal Not used                  |
| 100      | TMS        | I   | Simplicity emulation data input start and end select Not used      |
| 101      | XTRST      | I   | Simplicity emulation non-sync break signal input terminal Not used |
| 102      | VSS        | —   | Ground terminal  |
| 103, 104 | D8, D7     | I/O | Two-way data bus terminal Not used                                 |
| 105, 106 | A4, A3     | O   | Address signal output to the S-RAM                                 |
| 107, 108 | GP10, GP9  | —   | Not used   |
| 109      | VDDI       | —   | Power supply terminal (+2.5V)                                      |
| 110      | GP8        | —   | Not used   |
| 111      | GP7        | I   | L/R sampling clock signal (44.1 kHz) input terminal                |
| 112      | GP6        | —   | Not used   |
| 113, 114 | A2, A1     | O   | Address signal output to the S-RAM                                 |
| 115, 116 | D6, D5     | I/O | Two-way data bus terminal Not used                                 |

| Pin No.    | Pin Name   | I/O | Description   |
|------------|------------|-----|---|
| 117        | VSS        | —   | Ground terminal   |
| 118, 119   | GP5, GP4   | —   | Not used  |
| 120        | GP3        | O   | Error signal output to the system controller  |
| 121        | NC         | —   | Not used  |
| 122        | A0         | O   | Address signal output to the S-RAM  |
| 123 to 125 | D4 to D2   | I/O | Two-way data bus terminal Not used  |
| 126        | VDDE       | —   | Power supply terminal (+3.3V)   |
| 127        | VSS        | —   | Ground terminal   |
| 128, 129   | D1, D0     | I/O | Two-way data bus terminal Not used  |
| 130 to 132 | GP2 to GP0 | —   | Not used  |
| 133        | SDCLK      | O   | SD-RAM clock signal output terminal Not used  |
| 134        | BTSEL      | I   | Boot start address selection signal input “L”: FF800h, “H”: FF000h Fixed at “H” in this set |
| 135        | DQM        | O   | Output terminal of data input/output mask Not used  |
| 136        | EXLOCK     | I   | Lock signal input from the system controller  |
| 137        | VDDI       | —   | Power supply terminal (+2.5V)   |
| 138        | VSS        | —   | Ground terminal   |
| 139        | MCLK2      | O   | System clock output terminal (13.5 MHz)   |
| 140        | PM         | I   | PLL initialize signal input from the system controller                                      |
| 141        | BST        | I   | Boot strap signal input from the system controller  |
| 142        | BOOT       | I   | Boot mode control signal input terminal Not used  |
| 143        | TST        | I   | Not used  |
| 144        | MCLK1      | I   | System clock output terminal (13.5 MHz)   |



## • DIGITAL BOARD IC1703 MB91154PFV-G-108-BND1 (SYSTEM CONTROLLER)

| Pin No.  | Pin Name               | I/O | Description   |
|----------|------------------------|-----|---|
| 1        | H.P IN                 | I   | Headphone detection signal input “H”: headphone is connected  |
| 2        | SP A RY                | O   | Relay drive signal output (for front A speaker) “H”: relay on   |
| 3        | H/P RY                 | O   | Relay drive signal output (for headphone) “H”: relay on   |
| 4        | SP B RY                | O   | Relay drive signal output (for front B speaker) “H”: relay on (except STR-DB1080: E model)  |
| 5        | REAR RY                | O   | Relay drive signal output (for surround speaker) “H”: relay on  |
| 6        | CENTER RY              | O   | Relay drive signal output (for center and surround back speaker) “H”: relay on  |
| 7        | 2ND AUDIO RY           | O   | Relay drive signal output (for second room out) “H”: relay on   |
| 8        | PRE RY                 | O   | Relay drive signal output (for pre amplifier) “H”: relay on   |
| 9        | VSS                    | —   | Ground terminal   |
| 10       | SB RY                  | O   | Relay drive signal output (for center and surround back speaker) “H”: relay on  |
| 11       | C.JOG                  | I   | Jog dial pulse input from the rotary encoder (A phase input) (jog dial)   |
| 12       | C.JOG                  | I   | Jog dial pulse input from the rotary encoder (B phase input) (jog dial)   |
| 13       | F.JOG                  | I   | Jog dial pulse input from the rotary encoder (A phase input) (FUNCTION)   |
| 14       | F.JOG                  | I   | Jog dial pulse input from the rotary encoder (B phase input) (FUNCTION)   |
| 15       | V.JOG                  | I   | Jog dial pulse input from the rotary encoder (A phase input) (MASTER VOLUME)  |
| 16       | V.JOG                  | I   | Jog dial pulse input from the rotary encoder (B phase input) (MASTER VOLUME)  |
| 17       | SP A                   | I   | Front A speaker on/off switch input terminal “L”: speaker on  |
| 18       | POWER.RY               | O   | Relay drive signal output (for main power) “H”: relay on  |
| 19       | TUNER AUTO STOP        | I   | Tuned display state detection signal input from the tuner unit “L”: tuned   |
| 20       | TUNER MUTE             | O   | Muting on/off control signal output to the tuner unit “L”: muting on  |
| 21       | DATA                   | O   | Serial data output to the tuner unit, function switch, electrical volume and LED driver   |
| 22       | CLK                    | O   | Serial data transfer clock signal output to the tuner unit, function switch, electrical volume and LED driver                               |
| 23       | TUNER DATA IN          | I   | Serial data input from the tuner unit   |
| 24       | F. SW LAT              | O   | Serial data latch pulse signal output to the function switch and electrical volume  |
| 25       | TUNER STEREO           | I   | FM stereo display detection signal input from the tuner unit “L”: stereo  |
| 26       | VSS                    | —   | Ground terminal   |
| 27       | VCC                    | —   | Power supply terminal (+3.3V)   |
| 28       | RDS DATA               | I   | RDS serial data input from the tuner unit (STR-DB1080: AEP and UK models only)  |
| 29 to 32 | VIDEO SW1 to VIDEO SW4 | O   | Video selection signal output   |
| 33       | VSINK                  | I   | Vertical sync signal input (STR-DB1080: AEP, UK, E, Singapore, Malaysia models only)  |
| 34       | P/N                    | O   | NTSC/PAL selection signal output “L”: NTSC (STR-DA2ES/DB1080: E, Singapore, Malaysia, Korean models), “H”: PAL (STR-DB1080: AEP, UK models) |
| 35       | HDOUT1                 | I   | Serial data input from the audio digital signal processor 1   |
| 36, 37   | OPT B, OPT A           | O   | Digital input selection signal output   |
| 38       | LED CE                 | O   | Chip enable signal output to the LED driver   |
| 39       | LED CLR                | O   | Clear signal output to the LED driver   |
| 40       | TUNER LAT              | O   | Serial data latch pulse signal output to the tuner unit   |
| 41       | M STATUS               | O   | Monitor status control signal output (STR-DA2ES only)   |
| 42       | D.POWER                | O   | Digital section power on/off control signal output “H”: power on  |
| 43       | V.POWER                | O   | Video section power on/off control signal output “H”: power on  |
| 44       | VSS                    | —   | Ground terminal   |
| 45       | NC                     | I   | Not used  |

| Pin No. | Pin Name   | I/O | Description   |
|---------|------------|-----|---|
| 46      | LRCK EN    | O   | Signal selection signal output “L”: boot strap signal, “H”: L/R sampling clock signal   |
| 47      | ERROR      | I   | Error signal input from the audio digital signal processor 2  |
| 48      | NC         | I   | Not used  |
| 49      | SUB.T.PORT | O   | Sub power on/off signal output “H”: power on  |
| 50      | SP B       | I   | Front B speaker on/off switch input terminal “L”: speaker on (except STR-DB1080: E model)   |
| 51      | GND        | —   | Ground terminal   |
| 52      | MD2        | O   | Setting terminal for the CPU operation mode Fixed at “L” in this set  |
| 53, 54  | MD1, MD0   | O   | Setting terminal for the CPU operation mode Fixed at “H” in this set  |
| 55      | RSTX       | I   | System reset signal input “L”: reset<br>For several hundreds msec. after the power supply rises, “L” is input, then it changes to “H” |
| 56      | VCC        | —   | Power supply terminal (+3.3V)   |
| 57      | X1         | O   | Main system clock output terminal (16.5 MHz)  |
| 58      | X0         | I   | Main system clock input terminal (16.5 MHz)   |
| 59      | VSS        | —   | Ground terminal   |
| 60      | STOP       | I   | Sub power voltage detection signal input  |
| 61      | RDS CLK    | I   | RDS serial data transfer clock signal input from the tuner unit (STR-DB1080: AEP and UK models only)                                  |
| 62      | POWER      | I   | I/⏻ key input terminal  |
| 63      | MBUS TV    | I   | TV and SAT signal input terminal (STR-DA2ES only)   |
| 64      | MBUS DVD   | I   | DVD and LD signal input terminal (STR-DA2ES only)   |
| 65      | MBUS VIDEO | I   | VIDEO signal input terminal (STR-DA2ES only)  |
| 66      | SIRCS      | I   | Sircs signal input  |
| 67      | DIR ERROR  | I   | PLL lock error signal and data error flag input from the digital audio interface receiver   |
| 68      | VCC        | —   | Power supply terminal (+3.3V)   |
| 69      | XSTATE     | I   | Source clock selection monitor input from the digital audio interface receiver  |
| 70      | DATA0      | I   | Audio serial data input from the digital audio interface receiver   |
| 71      | XMODE      | O   | System reset signal output to the digital audio interface receiver “L”: reset   |
| 72      | CKSEL1     | O   | Output clock selection signal output to the digital audio interface receiver  |
| 73      | CLK        | O   | Clock signal output to the digital audio interface receiver   |
| 74      | CE         | O   | Chip enable signal output to the digital audio interface receiver   |
| 75      | DI         | O   | Write data output to the digital audio interface receiver   |
| 76      | DO         | I   | Read data input from the digital audio interface receiver   |
| 77      | VCC        | —   | Power supply terminal (+3.3V)   |
| 78      | BST2       | O   | Boot strap control signal output to the audio digital signal processor 2  |
| 79      | PM2        | O   | PLL initialize signal output to the audio digital signal processor 2  |
| 80      | XRST2      | O   | System reset signal output to the audio digital signal processor 2 “L”: reset   |
| 81      | HACN2      | I   | Acknowledge signal input from the audio digital signal processor 2  |
| 82      | HCS2       | O   | Chip select signal output to the audio digital signal processor 2   |
| 83      | GB9        | I   | Audio signal input from the audio digital signal processor 1  |
| 84      | BST1       | O   | Boot strap signal output to the audio digital signal processor 1  |
| 85      | HCS1       | O   | Chip select signal output to the audio digital signal processor 1   |
| 86      | A1 IN      | I   | Sircs signal input for CONTROL A1 II  |
| 87      | A1 OUT     | O   | Sircs signal output for CONTROL A1 II   |
| 88      | HACN1      | I   | Acknowledge signal input from the audio digital signal processor 1  |
| 89      | XRST1      | O   | System reset signal output to the audio digital signal processor 1 “L”: reset   |

| Pin No.    | Pin Name       | I/O | Description  |
|------------|----------------|-----|--|
| 90         | PM1            | O   | PLL initialize signal output to the audio digital signal processor 1   |
| 91         | ADC : RST      | O   | System reset signal output to the A/D converter "L": reset   |
| 92         | DACINT         | O   | System reset signal output to the D/A converter "L": reset   |
| 93         | DA1LAT         | O   | Serial data latch pulse signal output to the D/A converter   |
| 94         | DACCLK         | O   | Serial data transfer clock signal output to the D/A converter  |
| 95         | DACDI          | O   | Serial data output to the D/A converter  |
| 96         | 2EXLOCK        | O   | Lock signal output to the audio digital signal processor 2   |
| 97         | VCC            | —   | Power supply terminal (+3.3V)  |
| 98         | VSS            | —   | Ground terminal  |
| 99         | EEPROM SDA     | I/O | Two-way data bus with the EEPROM   |
| 100        | EEPROM SCL     | O   | Serial data transfer clock signal output to the EEPROM   |
| 101        | VSS            | —   | Ground terminal  |
| 102        | HCLK           | O   | Serial data transfer clock signal output to the audio digital signal processor 1/2   |
| 103        | HDIN           | O   | Serial data output to the audio digital signal processor 1/2   |
| 104        | HDOUT2         | I   | Serial data input from the audio digital signal processor 2  |
| 105        | CLK            | O   | Serial data transfer clock signal output to the OSD driver   |
| 106        | DATA           | O   | Serial data output to the OSD driver   |
| 107        | LAT            | O   | Serial data latch pulse signal output to the OSD driver  |
| 108        | DAIDO          | I   | Serial data input from the D/A converter   |
| 109        | SOTI           | O   | Output terminal of serial data for flash memory write Not used   |
| 110        | SINI           | I   | Input terminal of serial data for flash memory write Not used  |
| 111        | CLK            | O   | Serial data transfer clock signal output to the fluorescent indicator tube driver  |
| 112        | DIN            | O   | Serial data output to the fluorescent indicator tube driver  |
| 113        | LAT            | O   | Serial data latch pulse signal output to the fluorescent indicator tube driver   |
| 114        | CLR            | O   | Clear signal output to the fluorescent indicator tube driver   |
| 115        | FUN LAT SW     | O   | Serial data latch pulse signal selection signal output "L": for electrical volume (except for second room out), "H": for function switch and electrical volume (for second room out) |
| 116        | SYSTEM MUTE    | O   | System muting on/off control signal output "L": muting on  |
| 117        | 2ND VOL LAT    | O   | Serial data latch pulse signal output to the electrical volume (for second room out)   |
| 118        | PROTECTOR      | I   | Over load detection signal input from the protect circuit "L": over load   |
| 119        | DA2LAT         | O   | Serial data latch pulse signal output to the D/A converter   |
| 120        | CD DIRECT      | O   | Relay drive signal output (for CD/SACD signal selection) "H": relay on   |
| 121        | ANALOG DIGITAL | O   | Analog/digital selection signal output "L": analog, "H": digital   |
| 122        | VCC            | —   | Power supply terminal (+3.3V)  |
| 123 to 125 | NC             | —   | Not used   |
| 126        | DAVS           | —   | Ground terminal (for D/A converter)  |
| 127        | DAVC           | —   | Power supply terminal (+3.3V) (for D/A converter) Not used   |
| 128        | AVCC           | —   | Power supply terminal (+3.3V) (for analog) Not used  |
| 129        | AVRH           | I   | Reference voltage (+3.3V) input terminal Not used  |
| 130        | AVRL           | I   | Reference voltage (0V) input terminal Not used   |
| 131        | AVSS           | —   | Ground terminal (for analog)   |
| 132 to 136 | AD1 to AD5     | I   | Key input terminal (A/D input)   |
| 137        | NC             | —   | Not used   |
| 138        | VERSION2       | I   | Version setting terminal   |
| 139        | RDS SIGNAL     | I   | RDS signal input from the tuner unit (STR-DB1080: AEP and UK models only)  |

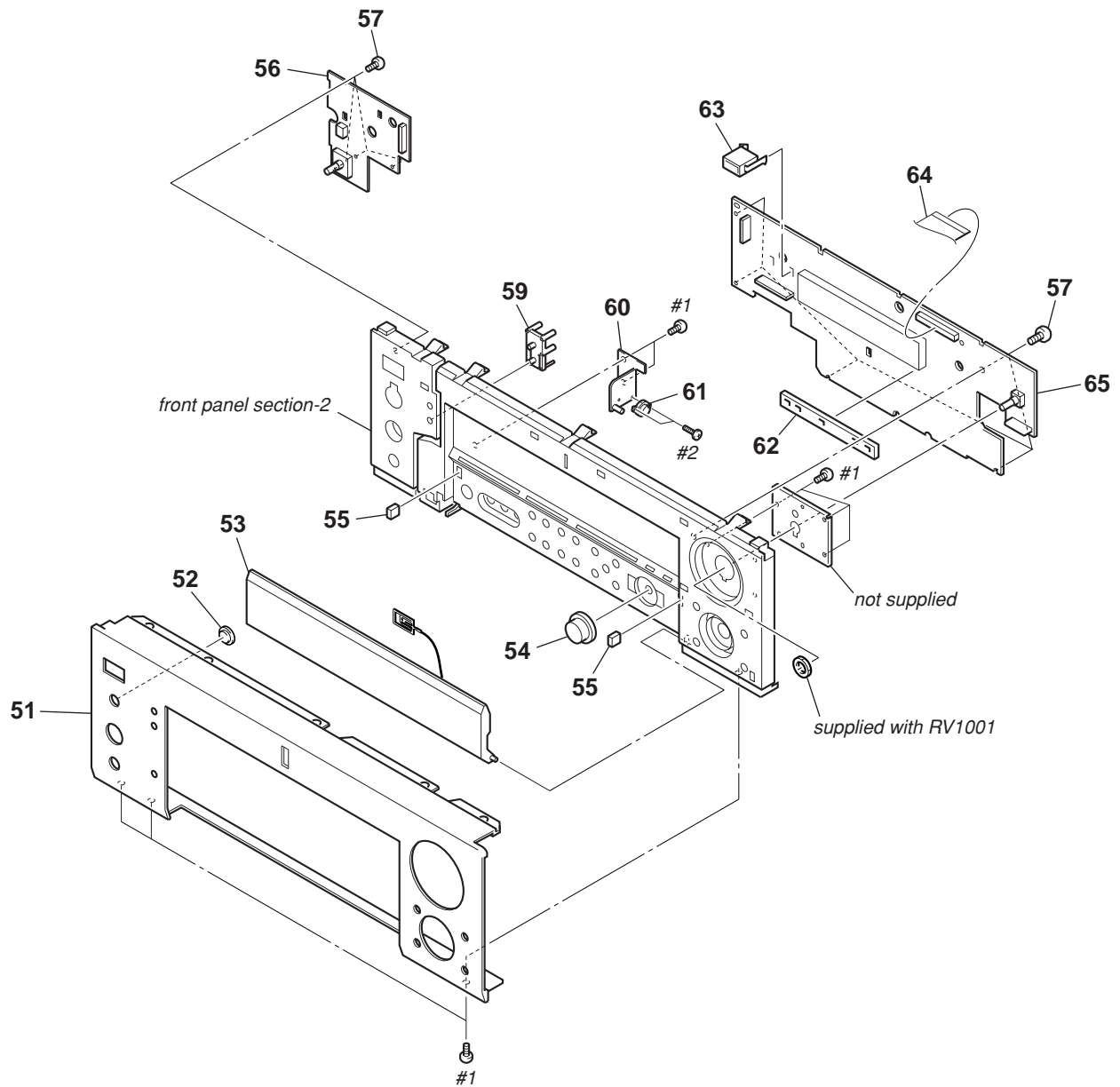
| Pin No. | Pin Name | I/O | Description                                 |
|---------|----------|-----|---|
| 140     | VCC2     | —   | Power supply terminal (+3.3V) Not used      |
| 141     | BACKUP   | —   | Power supply terminal (+3.3V) (for back up) |
| 142     | GND      | —   | Ground terminal Not used                    |
| 143     | OPEN     | —   | Not used                                    |
| 144     | VSS      | —   | Ground terminal                             |

## • VIDEO BOARD IC307 MB90089F-G-238-BND (OSD DRIVER)

| Pin No.  | Pin Name     | I/O | Description   |
|----------|--------------|-----|---|
| 1        | YIN          | I   | Y (luminance) signal input  |
| 2        | CIN          | I   | C (color) signal input  |
| 3        | VIN          | I   | Composite video signal input  |
| 4        | AVCC         | —   | Power supply terminal (+5V) (for analog)  |
| 5        | FSCO         | O   | Internal color burst phase display signal output terminal Not used  |
| 6        | VBLK         | O   | Vertical blanking period signal output terminal Not used  |
| 7        | VCC          | —   | Power supply terminal (+5V)   |
| 8        | EXS          | I   | Input terminal from the clock generator for external color burst connected to crystal vibrator (NTSC: 14.31818MHz, PAL: 17.734475MHz)           |
| 9        | XS           | O   | Output terminal from the clock generator for external color burst connected to crystal vibrator (NTSC: 14.31818MHz, PAL: 17.734475MHz) Not used |
| 10       | HSYNC        | O   | Horizontal sync signal output terminal Not used   |
| 11       | VSYN         | O   | Vertical sync signal output terminal Not used   |
| 12       | EXHSYN       | I   | External horizontal sync signal input terminal Not used   |
| 13       | EXVSYN       | I   | External vertical sync signal input terminal Not used   |
| 14       | VSS          | —   | Ground terminal   |
| 15       | EXD          | I   | Input terminal from the dot clock generator for external display  |
| 16       | XD           | O   | Output terminal from the dot clock generator for external display   |
| 17       | VOB          | O   | Character and background period signal output terminal Not used   |
| 18 to 20 | VOC2 to VOC0 | O   | Color signal output terminal Not used   |
| 21       | TEST         | I   | Setting terminal for the test "L": test (normally: fixed at "H")  |
| 22       | SCLK         | I   | Serial data transfer clock signal input from the system controller  |
| 23       | SIN          | I   | Serial data input from the system controller  |
| 24       | CS           | I   | Serial data latch pulse signal input from the system controller   |
| 25       | VOUT         | O   | Composite video signal output   |
| 26       | COUT         | O   | C (color) signal output   |
| 27       | YOUT         | O   | Y (luminance) signal output   |
| 28       | AVSS         | —   | Ground terminal (for analog)  |

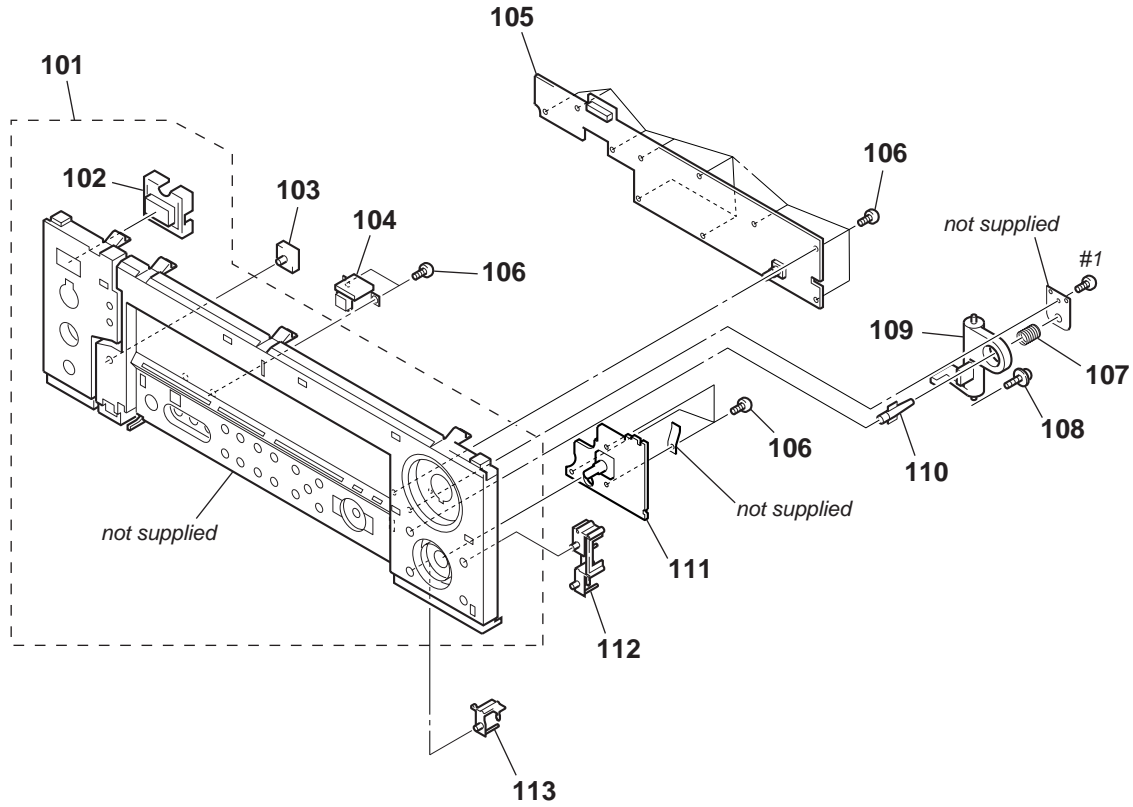


7-2. FRONT PANEL SECTION-1



| Ref. No. | Part No.     | Description                              | Remark | Ref. No. | Part No.     | Description                | Remark |
|----------|--------------|--|--------|----------|--------------|----------------------------|--------|
| 51       | 4-239-176-01 | PANEL, FRONT (BLACK) (DA2ES)             |        | 55       | 4-240-392-21 | MAGNET (SILVER)            |        |
| 51       | 4-239-176-11 | PANEL, FRONT (BLACK) (DB1080: AEP, UK)   |        | 56       | 1-684-333-11 | POWER BOARD                |        |
| 51       | 4-239-176-21 | PANEL, FRONT (SILVER) (DB1080: AEP, UK)  |        | 57       | 4-951-620-01 | SCREW (2.6X8), +BVTP       |        |
| 51       | 4-239-176-31 | PANEL, FRONT (GOLD) (DB1080: SP, MY, KR) |        | 59       | 4-227-138-01 | BUTTON (DISPLAY) (BLACK)   |        |
| 51       | 4-239-176-41 | PANEL, FRONT (GOLD) (DB1080: E)          |        | 59       | 4-227-138-11 | BUTTON (DISPLAY) (GOLD)    |        |
| 51       | 4-239-176-51 | PANEL, FRONT (BLACK) (DB1080: E)         |        | 59       | 4-227-138-21 | BUTTON (DISPLAY) (SILVER)  |        |
| 52       | X-4953-000-1 | WINDOW ASSY, REMOTE CONTROL              |        | 60       | X-4952-753-1 | BRACKET (DAMPER L) ASSY    |        |
| 53       | A-4412-938-A | LID ASSY (BLACK)                         |        | 61       | 4-240-391-01 | DAMPER, OIL                |        |
| 53       | A-4412-940-A | LID ASSY (GOLD)                          |        | 62       | 4-227-153-01 | SHEET (LIGHT INTERCEPTION) |        |
| 53       | A-4412-942-A | LID ASSY (SILVER)                        |        | 63       | 4-233-625-01 | HOLDER (6.1CH)             |        |
| 54       | 4-217-729-01 | KNOB (JOG) (BLACK)                       |        | 64       | 1-765-352-11 | WIRE (FLAT TYPE) (31 CORE) |        |
| 54       | 4-217-729-12 | KNOB (JOG) (GOLD)                        |        | 65       | A-4728-472-A | DISPLAY BOARD, COMPLETE    |        |
| 54       | 4-217-729-21 | KNOB (JOG) (SILVER)                      |        | #1       | 7-685-646-79 | SCREW +BVTP 3X8 TYPE2 IT-3 |        |
| 55       | 4-240-392-01 | MAGNET (BLACK)                           |        | #2       | 7-685-853-04 | SCREW +BVTT 2X6 (S)        |        |
| 55       | 4-240-392-11 | MAGNET (GOLD)                            |        |          |              |                            |        |

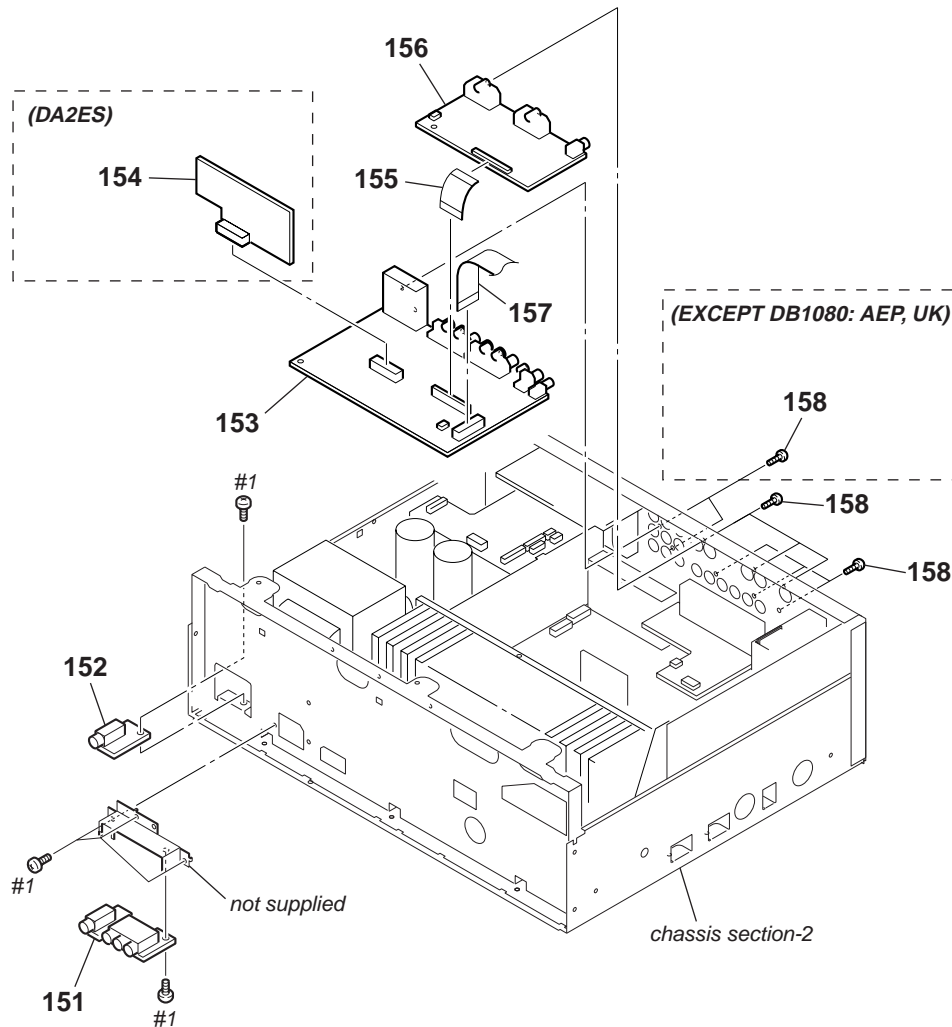
7-3. FRONT PANEL SECTION-2



| Ref. No. | Part No.     | Description                                 | Remark | Ref. No. | Part No.     | Description                  | Remark |
|----------|--------------|---|--------|----------|--------------|------------------------------|--------|
| 101      | X-4954-564-1 | BASE ASSY, PANEL (BLACK) (DA2ES)            |        | 108      | 4-917-583-71 | BRACKET, YOKE                |        |
| 101      | X-4954-581-1 | BASE ASSY, PANEL (BLACK) (DB1080: AEP, UK)  |        | 109      | 4-227-143-01 | LEVER (OPEN) (BLACK)         |        |
| 101      | X-4954-582-1 | BASE ASSY, PANEL (SILVER) (DB1080: AEP, UK) |        | 109      | 4-227-143-11 | LEVER (OPEN) (GOLD)          |        |
| 101      | X-4954-583-1 | BASE ASSY, PANEL (GOLD)                     |        | 109      | 4-227-143-21 | LEVER (OPEN) (SILVER)        |        |
|          |              | (DB1080: E, SP, MY, KR)                     |        | 110      | 4-227-142-01 | BUTTON (OPEN) (BLACK)        |        |
| 101      | X-4954-811-1 | BASE ASSY, PANEL (BLACK) (DB1080: E)        |        | 110      | 4-227-142-11 | BUTTON (OPEN) (GOLD)         |        |
| 102      | 4-998-592-01 | BUTTON (POWER) (BLACK)                      |        | 110      | 4-227-142-21 | BUTTON (OPEN) (SILVER)       |        |
| 102      | 4-998-592-12 | BUTTON (POWER) (GOLD)                       |        | 111      | 1-684-332-11 | MUTING BOARD                 |        |
| 102      | 4-998-592-23 | BUTTON (POWER) (SILVER)                     |        | 112      | X-4952-765-1 | BUTTON (MUTING) ASSY (BLACK) |        |
| 103      | 4-233-621-01 | BUTTON (ON SCREEN) (BLACK)                  |        | 112      | X-4952-766-1 | BUTTON (MUTING) ASSY (GOLD)  |        |
| 103      | 4-233-621-11 | BUTTON (ON SCREEN) (GOLD)                   |        |          |              |                              |        |
| 103      | 4-233-621-21 | BUTTON (ON SCREEN) (SILVER)                 |        | 112      | X-4952-767-1 | BUTTON (MUTING) ASSY         |        |
| 104      | 1-684-337-11 | V3-OPT BOARD                                |        | 113      | 4-233-620-01 | BUTTON (INPUT MODE) (BLACK)  |        |
| 105      | A-4728-475-A | SW BOARD, COMPLETE                          |        | 113      | 4-233-620-11 | BUTTON (INPUT MODE) (GOLD)   |        |
| 106      | 4-951-620-01 | SCREW (2.6X8), +BVTP                        |        | 113      | 4-233-620-21 | BUTTON (INPUT MODE) (SILVER) |        |
| 107      | 4-227-150-01 | SPRING, COMPRESSION                         |        | #1       | 7-685-646-79 | SCREW +BVTP 3X8 TYPE2 IT-3   |        |

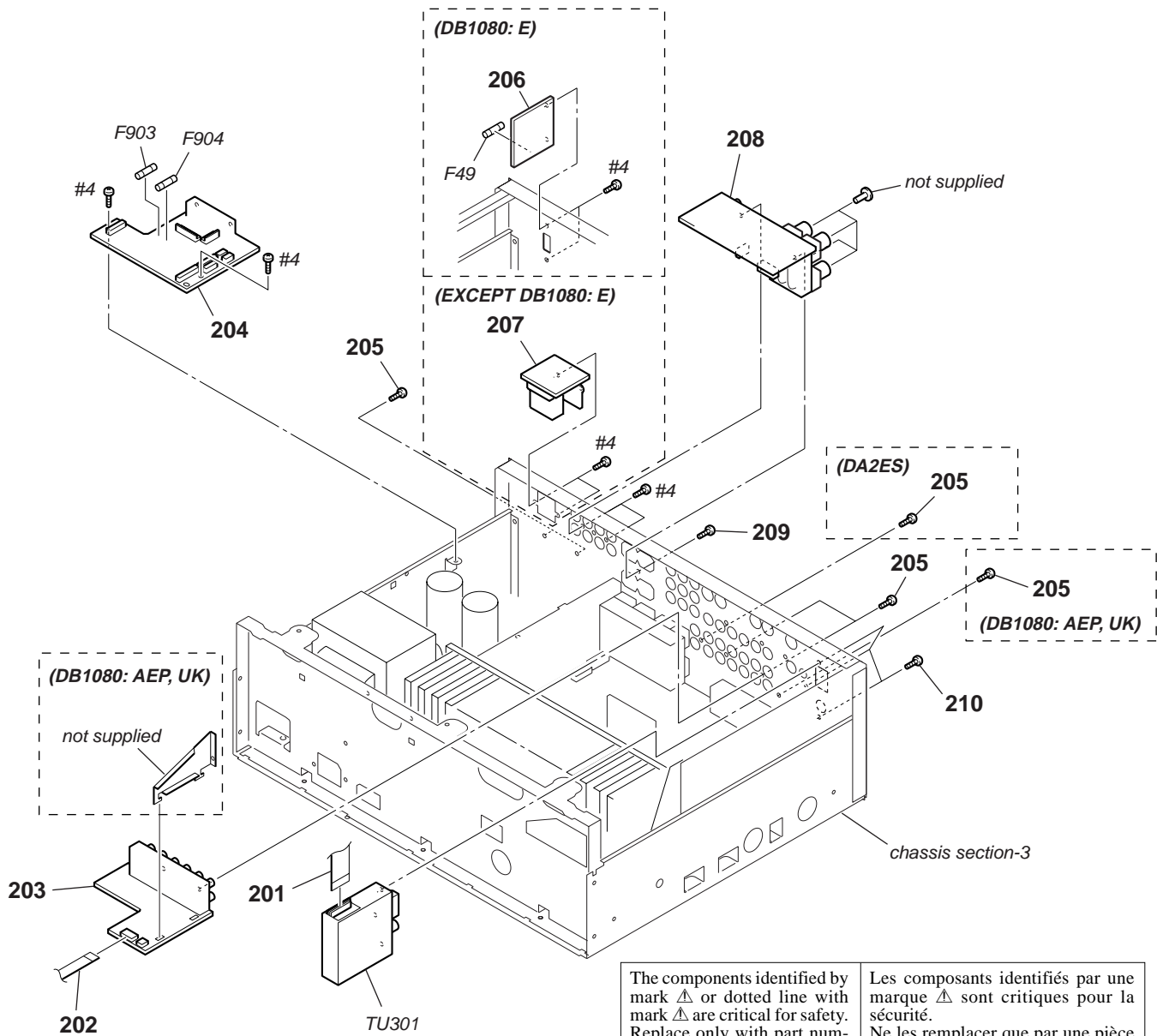


7-4. CHASSIS SECTION-1



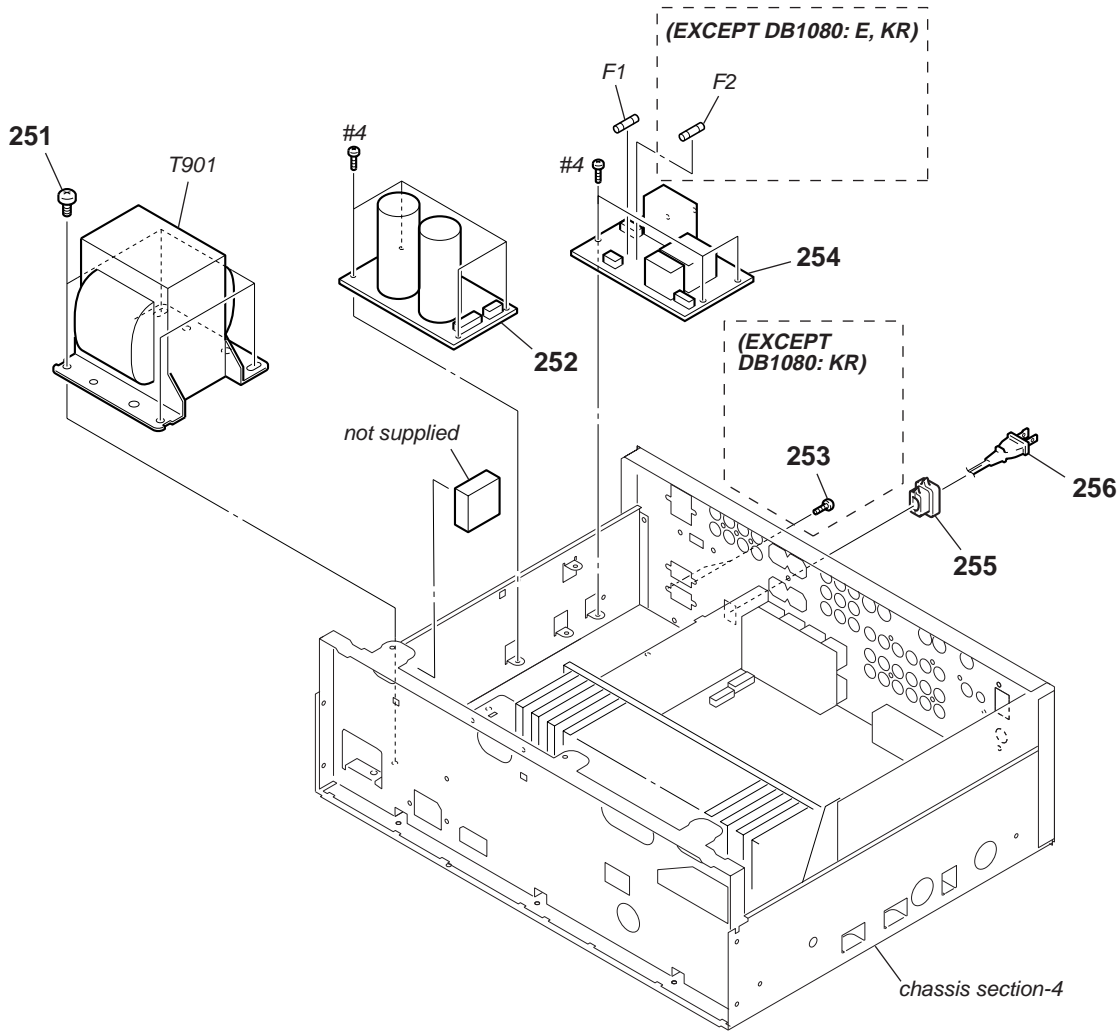
| Ref. No. | Part No.     | Description                               | Remark | Ref. No. | Part No.     | Description                              | Remark |
|----------|--------------|---|--------|----------|--------------|--|--------|
| 151      | 1-684-336-11 | VIDEO 3 BOARD                             |        | 155      | 1-773-105-11 | WIRE (FLAT TYPE) (19 CORE) (DA2ES)       |        |
| 152      | 1-684-335-11 | H.P BOARD                                 |        | 156      | A-4728-488-A | S-VIDEO BOARD, COMPLETE (DA2ES)          |        |
| 153      | A-4728-487-A | VIDEO BOARD, COMPLETE (DA2ES)             |        | 156      | A-4728-504-A | S-VIDEO BOARD, COMPLETE (DB1080)         |        |
| 153      | A-4728-503-A | VIDEO BOARD, COMPLETE (DB1080: E, SP, MY) |        | 157      | 1-773-003-11 | WIRE (FLAT TYPE) (15 CORE) (DB1080)      |        |
| 153      | A-4728-522-A | VIDEO BOARD, COMPLETE (DB1080: AEP, UK)   |        | 157      | 1-773-143-11 | WIRE (FLAT TYPE) (21 CORE) (DA2ES)       |        |
| 153      | A-4730-111-A | VIDEO BOARD, COMPLETE (DB1080: KR)        |        | 158      | 3-704-515-21 | SCREW (BV/RING) (EXCEPT DB1080: AEP, UK) |        |
| 154      | A-4728-955-A | UP CONVERT BOARD, COMPLETE (DA2ES)        |        | 158      | 4-974-510-11 | SCREW (+BV 3X8 CU) (DB1080: AEP, UK)     |        |
| 155      | 1-773-001-11 | WIRE (FLAT TYPE) (15 CORE) (DB1080)       |        | #1       | 7-685-646-79 | SCREW +BVTP 3X8 TYPE2 IT-3               |        |

7-5. CHASSIS SECTION-2



| Ref. No. | Part No.     | Description  | Remark | Ref. No. | Part No.     | Description   | Remark |
|----------|--------------|--|--------|----------|--------------|---|--------|
| 201      | 1-773-001-11 | WIRE (FLAT TYPE) (15 CORE)(DB1080: AEP, UK)            |        | 209      | 3-704-515-51 | SCREW (BV/RING) (DB1080: UK)                              |        |
| 201      | 1-769-937-11 | WIRE (FLAT TYPE) (11 CORE)<br>(EXCEPT DB1080: AEP, UK) |        | 210      | 3-704-515-21 | SCREW (BV/RING) (EXCEPT DB1080: AEP, UK)                  |        |
| 202      | 1-769-905-11 | WIRE (FLAT TYPE) (9 CORE) (DB1080)                     |        | 210      | 4-974-510-11 | SCREW (+BV 3X8 CU) (DB1080: AEP, UK)                      |        |
| 202      | 1-773-002-11 | WIRE (FLAT TYPE) (15 CORE) (DA2ES)                     |        | Δ F49    | 1-532-504-51 | FUSE (T4AL/250V) (DB1080: E)                              |        |
| 203      | A-4728-492-A | VIDEO.AU BOARD, COMPLETE (DA2ES)                       |        | Δ F903   | 1-532-464-51 | FUSE (T2.5AL/250V) (DB1080)                               |        |
| 203      | A-4728-505-A | VIDEO.AU BOARD, COMPLETE (DB1080)                      |        | Δ F903   | 1-533-419-11 | FUSE, GLASS CYLINDRICAL (DIA.5) (4A/125V)<br>(DA2ES: CND) |        |
| 204      | A-4728-486-A | DC 2 BOARD, COMPLETE (DA2ES: US)                       |        | Δ F903   | 1-576-108-11 | FUSE (4A/125V) (DA2ES: US)                                |        |
| 204      | A-4728-496-A | DC 2 BOARD, COMPLETE (DA2ES: CND)                      |        | Δ F904   | 1-532-464-51 | FUSE (T2.5AL/250V) (DB1080)                               |        |
| 204      | A-4728-502-A | DC 2 BOARD, COMPLETE<br>(DB1080: E, SP, MY, KR)        |        | Δ F904   | 1-533-419-11 | FUSE, GLASS CYLINDRICAL (DIA.5) (4A/125V)<br>(DA2ES: CND) |        |
| 204      | A-4728-521-A | DC 2 BOARD, COMPLETE (DB1080: AEP, UK)                 |        | Δ F904   | 1-576-108-11 | FUSE (4A/125V) (DA2ES: US)                                |        |
| 205      | 3-704-515-21 | SCREW (BV/RING) (EXCEPT DB1080: UK)                    |        | TU301    | 1-693-577-22 | TUNER (US, CND, E)  |        |
| 205      | 4-974-510-11 | SCREW (+BV 3X8 CU) (DB1080: UK)                        |        | TU301    | 1-693-578-21 | TUNER (AEP, UK)   |        |
| 206      | 1-684-339-11 | V.SWITCH BOARD (DB1080: E)                             |        | TU301    | 1-693-580-21 | TUNER (SP, MY, KR)  |        |
| 207      | 1-685-199-11 | SP-B BOARD (EXCEPT DB1080: E)                          |        | #4       | 7-685-646-79 | SCREW +BVTP 3X8 TYPE2 IT-3<br>(EXCEPT DB1080: AEP, UK)    |        |
| 208      | 1-684-338-11 | SP BOARD   |        | #4       | 4-974-510-11 | SCREW (+BV 3X8 CU) (DB1080: AEP, UK)                      |        |
| 209      | 3-704-515-11 | SCREW (BV/RING) (EXCEPT DB1080: UK)                    |        |          |              |   |        |

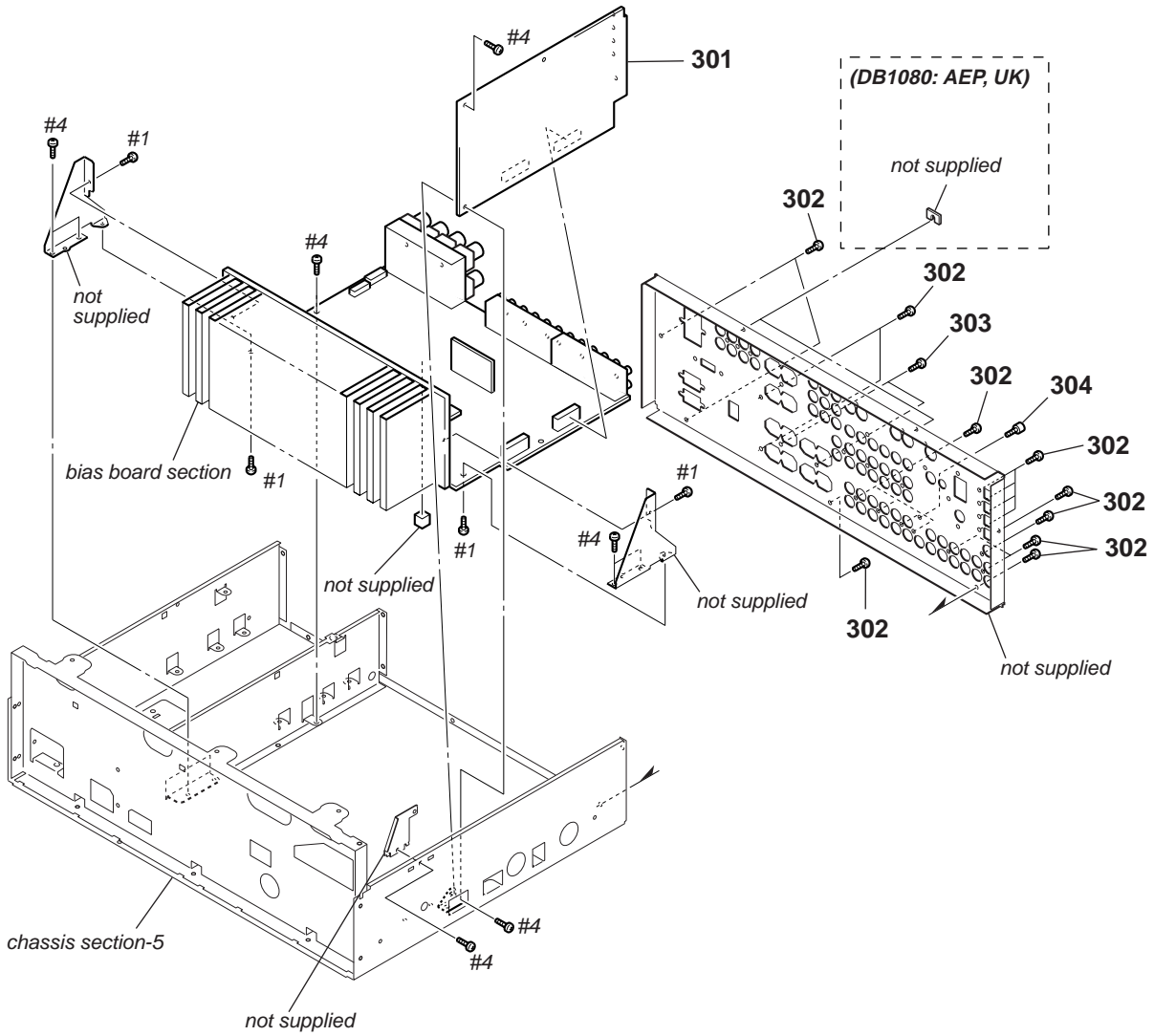
7-6. CHASSIS SECTION-3



|   |  |
|---|--|
| <p>The components identified by mark <math>\triangle</math> or dotted line with mark <math>\triangle</math> are critical for safety. Replace only with part number specified.</p> | <p>Les composants identifiés par une marque <math>\triangle</math> sont critiques pour la sécurité. Ne les remplacer que par une pièce portant le numéro spécifié.</p> |
|---|--|

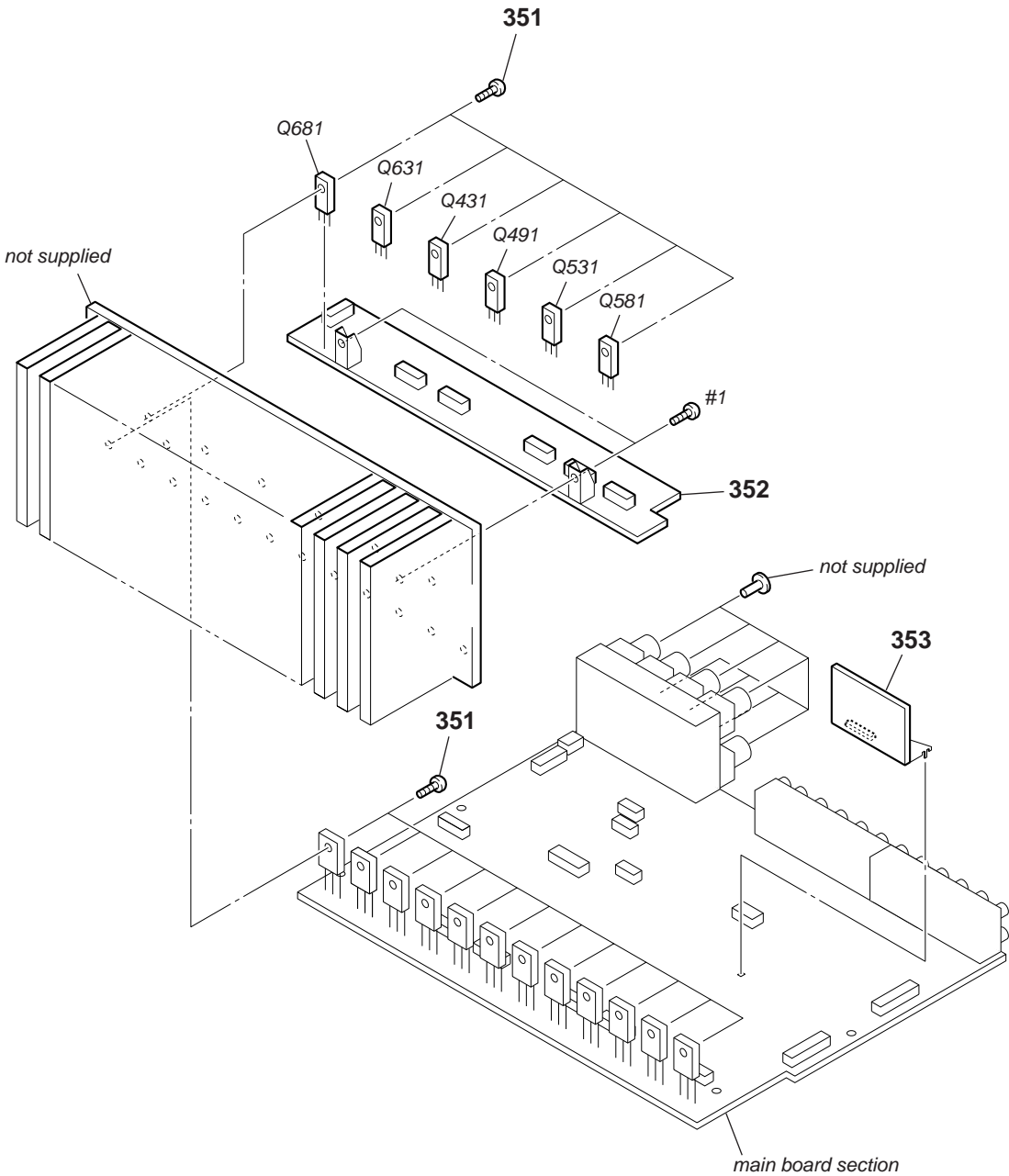
| Ref. No.        | Part No.     | Description                              | Remark | Ref. No.         | Part No.     | Description                          | Remark |
|-----------------|--------------|--|--------|------------------|--------------|--------------------------------------|--------|
| 251             | 4-900-386-01 | SCREW                                    |        | $\triangle$ 256  | 1-783-532-11 | CORD, POWER (US)                     |        |
| 252             | 1-684-324-11 | DC 1 BOARD                               |        | $\triangle$ F1   | 1-532-504-51 | FUSE (T4AL/250V) (DB1080)            |        |
| 253             | 3-704-515-21 | SCREW (BV/RING) (EXCEPT DB1080: AEP, UK) |        | $\triangle$ F1   | 1-576-048-11 | FUSE, GLASS TUBE (10A/125V) (DA2ES)  |        |
| 253             | 4-974-510-11 | SCREW (+BV 3X8 CU) (DB1080: AEP, UK)     |        | $\triangle$ F2   | 1-532-464-51 | FUSE (T2.5AL/250V)                   |        |
| 254             | A-4728-480-A | AC BOARD, COMPLETE (DA2ES)               |        |                  |              | (DB1080: AEP, UK, SP, MY)            |        |
| 254             | A-4728-511-A | AC BOARD, COMPLETE (DB1080: KR)          |        | $\triangle$ F2   | 1-576-048-11 | FUSE, GLASS TUBE (10A/125V) (DA2ES)  |        |
| 254             | A-4728-515-A | AC BOARD, COMPLETE (DB1080: E)           |        | $\triangle$ T901 | 1-437-683-11 | TRANSFORMER, POWER (US, CND)         |        |
| 254             | A-4730-537-A | AC BOARD, COMPLETE (DB1080: AEP, UK)     |        | $\triangle$ T901 | 1-437-686-11 | TRANSFORMER, POWER (E)               |        |
| 254             | A-4730-604-A | AC BOARD, COMPLETE (DB1080: SP, MY)      |        | $\triangle$ T901 | 1-437-687-11 | TRANSFORMER, POWER                   |        |
| * 255           | 3-703-244-00 | BUSHING (2104), CORD                     |        |                  |              | (AEP, UK, SP, MY, KR)                |        |
| $\triangle$ 256 | 1-769-079-21 | CORD, POWER (KR)                         |        | #4               | 7-685-646-79 | SCREW +BVTP 3X8 TYPE2 IT-3           |        |
| $\triangle$ 256 | 1-769-743-11 | CORD, POWER (CND)                        |        |                  |              | (EXCEPT DB1080: AEP, UK)             |        |
| $\triangle$ 256 | 1-769-744-11 | CORD, POWER (AEP, UK)                    |        | #4               | 4-974-510-11 | SCREW (+BV 3X8 CU) (DB1080: AEP, UK) |        |
| $\triangle$ 256 | 1-777-071-22 | CORD, POWER (E, SP, MY)                  |        |                  |              |                                      |        |

7-7. CHASSIS SECTION-4



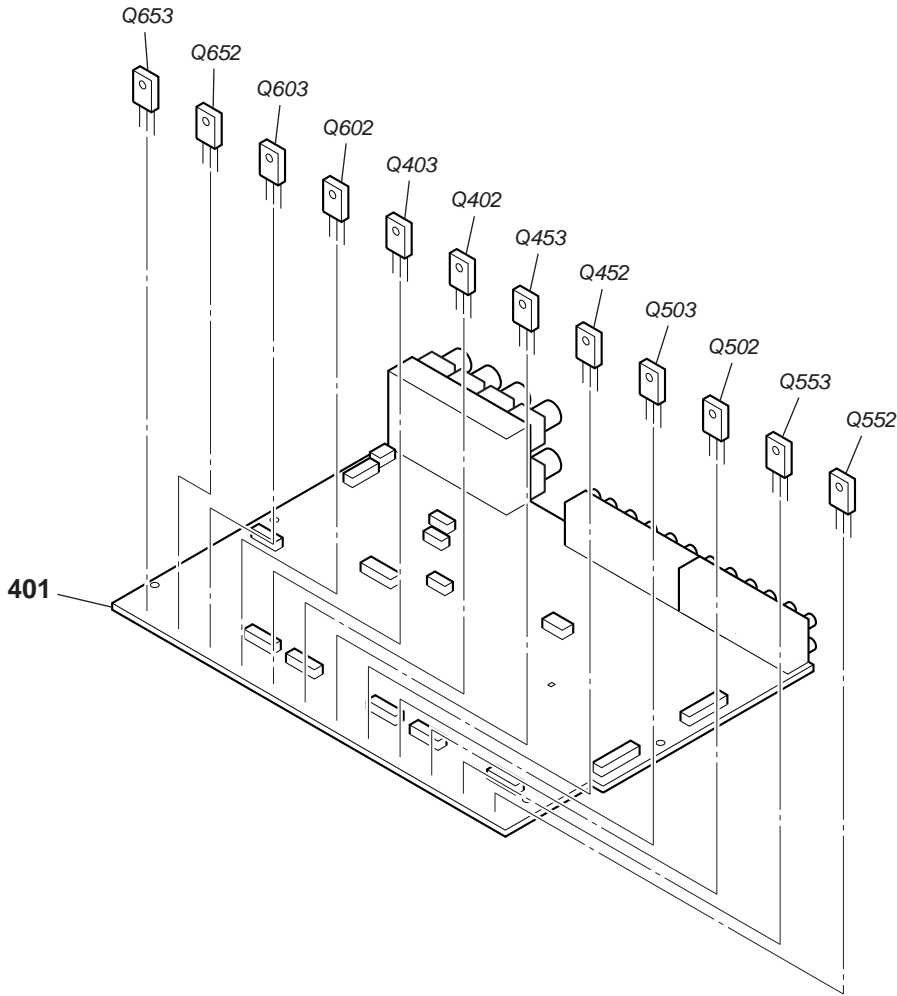
| Ref. No. | Part No.     | Description                               | Remark | Ref. No. | Part No.     | Description                          | Remark                   |
|----------|--------------|---|--------|----------|--------------|--------------------------------------|--------------------------|
| 301      | A-4728-489-A | DIGITAL BOARD, COMPLETE (DA2ES)           |        | 303      | 3-704-515-11 | SCREW (BV/RING) (EXCEPT DB1080: UK)  |                          |
| 301      | A-4728-506-A | DIGITAL BOARD, COMPLETE (DB1080: SP, MY)  |        | 303      | 3-704-515-51 | SCREW (BV/RING) (DB1080: UK)         |                          |
| 301      | A-4728-516-A | DIGITAL BOARD, COMPLETE (DB1080: E)       |        | 304      | 4-947-010-01 | SCREW, FEEDER FIXED                  |                          |
| 301      | A-4728-523-A | DIGITAL BOARD, COMPLETE (DB1080: AEP, UK) |        | #1       | 7-685-646-79 | SCREW +BVTP 3X8 TYPE2 IT-3           |                          |
| 301      | A-4729-066-A | DIGITAL BOARD, COMPLETE (DB1080: KR)      |        | #4       | 7-685-646-79 | SCREW +BVTP 3X8 TYPE2 IT-3           | (EXCEPT DB1080: AEP, UK) |
| 302      | 3-704-515-21 | SCREW (BV/RING) (EXCEPT DB1080: AEP, UK)  |        | #4       | 4-974-510-11 | SCREW (+BV 3X8 CU) (DB1080: AEP, UK) |                          |
| 302      | 4-974-510-11 | SCREW (+BV 3X8 CU) (DB1080: AEP, UK)      |        |          |              |                                      |                          |

7-8. BIAS BOARD SECTION



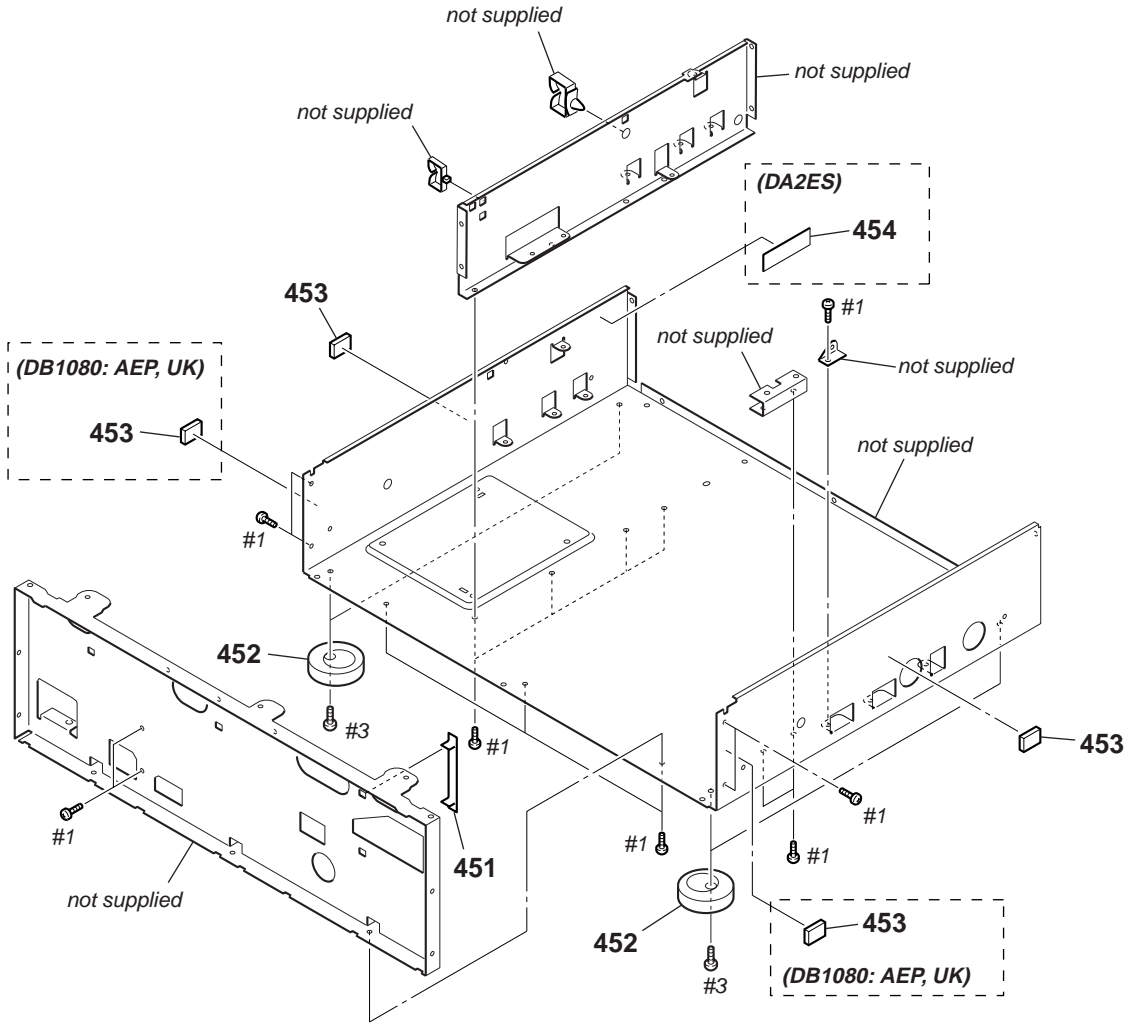
| Ref. No. | Part No.     | Description                            | Remark | Ref. No. | Part No.     | Description                | Remark |
|----------|--------------|--|--------|----------|--------------|----------------------------|--------|
| 351      | 3-905-609-11 | SCREW (TRANSISTOR)                     |        | Q431     | 8-729-026-08 | TRANSISTOR 2SC4495         |        |
| 352      | A-4728-471-A | BIAS BOARD, COMPLETE (DA2ES: US)       |        | Q491     | 8-729-026-08 | TRANSISTOR 2SC4495         |        |
| 352      | A-4728-495-A | BIAS BOARD, COMPLETE (DA2ES: CND)      |        | Q531     | 8-729-026-08 | TRANSISTOR 2SC4495         |        |
| 352      | A-4728-498-A | BIAS BOARD, COMPLETE (DB1080: SP, MY)  |        | Q581     | 8-729-026-08 | TRANSISTOR 2SC4495         |        |
| 352      | A-4728-509-A | BIAS BOARD, COMPLETE (DB1080: E, KR)   |        | Q631     | 8-729-026-08 | TRANSISTOR 2SC4495         |        |
| 352      | A-4728-519-A | BIAS BOARD, COMPLETE (DB1080: AEP, UK) |        | Q681     | 8-729-026-08 | TRANSISTOR 2SC4495         |        |
| 353      | 1-685-267-11 | MIX BOARD                              |        | #1       | 7-685-646-79 | SCREW +BVTP 3X8 TYPE2 IT-3 |        |

7-9. MAIN BOARD SECTION



| Ref. No. | Part No.     | Description                            | Remark  | Ref. No. | Part No.     | Description | Remark  |
|----------|--------------|--|---------|----------|--------------|-------------|---------|
| 401      | A-4728-469-A | MAIN BOARD, COMPLETE (DA2ES: US)       |         | Q502     | 8-729-051-92 | TRANSISTOR  | 2SD2560 |
| 401      | A-4728-494-A | MAIN BOARD, COMPLETE (DA2ES: CND)      |         | Q503     | 8-729-051-93 | TRANSISTOR  | 2SB1647 |
| 401      | A-4728-497-A | MAIN BOARD, COMPLETE (DB1080: SP, MY)  |         | Q552     | 8-729-051-92 | TRANSISTOR  | 2SD2560 |
| 401      | A-4728-508-A | MAIN BOARD, COMPLETE (DB1080: E, KR)   |         | Q553     | 8-729-051-93 | TRANSISTOR  | 2SB1647 |
| 401      | A-4728-518-A | MAIN BOARD, COMPLETE (DB1080: AEP, UK) |         | Q602     | 8-729-051-92 | TRANSISTOR  | 2SD2560 |
| Q402     | 8-729-051-92 | TRANSISTOR                             | 2SD2560 | Q603     | 8-729-051-93 | TRANSISTOR  | 2SB1647 |
| Q403     | 8-729-051-93 | TRANSISTOR                             | 2SB1647 | Q652     | 8-729-051-92 | TRANSISTOR  | 2SD2560 |
| Q452     | 8-729-051-92 | TRANSISTOR                             | 2SD2560 | Q653     | 8-729-051-93 | TRANSISTOR  | 2SB1647 |
| Q453     | 8-729-051-93 | TRANSISTOR                             | 2SB1647 |          |              |             |         |

7-10. FOOT SECTION



| Ref. No. | Part No.     | Description                       | Remark | Ref. No. | Part No.     | Description                | Remark |
|----------|--------------|-----------------------------------|--------|----------|--------------|----------------------------|--------|
| * 451    | 3-225-496-01 | CLAMP (FLAT CLAMP 45)             |        | 453      | 4-985-642-01 | CUSHION                    |        |
| 452      | X-4953-882-2 | FOOT ASSY (DB1080: BLACK, SILVER) |        | * 454    | 3-703-044-26 | LABEL, CAUTION (DA2ES)     |        |
| 452      | X-4953-883-2 | FOOT ASSY (DA2ES)                 |        | #1       | 7-685-646-79 | SCREW +BVTP 3X8 TYPE2 IT-3 |        |
| 452      | X-4953-884-2 | FOOT ASSY (DB1080: GOLD)          |        | #3       | 7-685-885-09 | SCREW +BVTT 4X16 (S)       |        |

SECTION 8  
ELECTRICAL PARTS LIST

AC BIAS

NOTE:

- Due to standardization, replacements in the parts list may be different from the parts specified in the diagrams or the components used on the set.
- -XX and -X mean standardized parts, so they may have some difference from the original one.
- RESISTORS  
All resistors are in ohms.  
METAL: Metal-film resistor.  
METAL OXIDE: Metal oxide-film resistor.  
F: nonflammable
- Abbreviation  
CND : Canadian model MY : Malaysia model  
KR : Korean model SP : Singapore model

- Items marked “\*” are not stocked since they are seldom required for routine service. Some delay should be anticipated when ordering these items.
- SEMICONDUCTORS  
In each case, u:  $\mu$ , for example:  
uA. . :  $\mu$ A. . uPA. . :  $\mu$ PA. .  
uPB. . :  $\mu$ PB. . uPC. . :  $\mu$ PC. .  
uPD. . :  $\mu$ PD. .
- CAPACITORS  
uF:  $\mu$ F
- COILS  
uH:  $\mu$ H

The components identified by mark  $\Delta$  or dotted line with mark  $\Delta$  are critical for safety. Replace only with part number specified.

Les composants identifiés par une marque  $\Delta$  sont critiques pour la sécurité. Ne les remplacer que par une pièce portant le numéro spécifié.

When indicating parts by reference number, please include the board.

| Ref. No.      | Part No.     | Description                          | Remark                    |
|---------------|--------------|--------------------------------------|---------------------------|
|               | A-4728-480-A | AC BOARD, COMPLETE (DA2ES)           |                           |
|               | A-4728-511-A | AC BOARD, COMPLETE (DB1080: KR)      |                           |
|               | A-4728-515-A | AC BOARD, COMPLETE (DB1080: E)       |                           |
|               | A-4730-537-A | AC BOARD, COMPLETE (DB1080: AEP, UK) |                           |
|               | A-4730-604-A | AC BOARD, COMPLETE (DB1080: SP, MY)  |                           |
|               |              | *****                                |                           |
|               | 1-533-217-41 | HOLDER, FUSE                         |                           |
|               |              | < CAPACITOR >                        |                           |
| $\Delta$ C3   | 1-117-703-11 | CERAMIC 0.0047uF 99% 250V            | (DB1080: AEP, UK)         |
| C51           | 1-126-927-11 | ELECT 2200uF 20% 10V                 |                           |
| C52           | 1-136-287-11 | MYLAR 0.0047uF 5% 50V                |                           |
| C53           | 1-137-465-11 | MYLAR 0.056uF 5% 50V                 |                           |
| C54           | 1-126-767-11 | ELECT 1000uF 20% 16V                 |                           |
| C55           | 1-126-959-11 | ELECT 0.47uF 20% 50V                 |                           |
| C56           | 1-128-817-11 | CERAMIC 470PF 5% 50V                 |                           |
|               |              | < CONNECTOR >                        |                           |
| * CN1         | 1-565-792-11 | PIN, CONNECTOR (3.96mm PITCH) 2P     |                           |
| CN2           | 1-564-321-00 | PIN, CONNECTOR (3.96mm PITCH) 2P     |                           |
| CN3           | 1-568-106-11 | PIN, CONNECTOR (3.96mm PITCH) 4P     | (DB1080: E)               |
|               |              | < AC OUTLET >                        |                           |
| $\Delta$ CNJ1 | 1-251-718-11 | OUTLET (2 GANG) , AC (AC OUTLET)     | (DA2ES/DB1080: E)         |
| $\Delta$ CNJ1 | 1-785-285-11 | OUTLET, AC (1P) (AC OUTLET)          | (DB1080: AEP, UK, SP, MY) |
|               |              | < DIODE >                            |                           |
| D51           | 8-719-911-19 | DIODE 1SS119-25                      |                           |
| D52           | 8-719-911-19 | DIODE 1SS119-25                      |                           |
| D53           | 8-719-911-19 | DIODE 1SS119-25                      |                           |
| D54           | 8-719-210-21 | DIODE 11EQS04                        |                           |
| D55           | 8-719-210-21 | DIODE 11EQS04                        |                           |
| D56           | 8-719-210-21 | DIODE 11EQS04                        |                           |
| D57           | 8-719-210-21 | DIODE 11EQS04                        |                           |
| D58           | 8-719-024-99 | DIODE 11ES2-NTA2B                    |                           |
|               |              | < TERMINAL >                         |                           |
| * EB1         | 1-537-738-21 | TERMINAL, EARTH (DA2ES)              |                           |
| * EB51        | 1-537-738-21 | TERMINAL, EARTH                      |                           |

| Ref. No.     | Part No.     | Description                             | Remark                      |
|--------------|--------------|---|-----------------------------|
|              |              | < TRANSISTOR >                          |                             |
| Q51          | 8-729-119-78 | TRANSISTOR 2SC2785-HFE                  |                             |
| Q52          | 8-729-201-53 | TRANSISTOR 2SA1015-GR                   |                             |
| Q53          | 8-729-116-02 | TRANSISTOR BA1A4M-TP                    |                             |
| Q54          | 8-729-119-78 | TRANSISTOR 2SC2785-HFE                  |                             |
|              |              | < RESISTOR >                            |                             |
| $\Delta$ R1  | 1-219-237-11 | SOLID 3.3M 20%                          | 1/2W (DA2ES)                |
| R51          | 1-249-421-11 | CARBON 2.2K 5%                          | 1/4W                        |
| R52          | 1-249-429-11 | CARBON 10K 5%                           | 1/4W                        |
| R53          | 1-249-415-11 | CARBON 680 5%                           | 1/4W                        |
| R54          | 1-249-437-11 | CARBON 47K 5%                           | 1/4W                        |
| R55          | 1-249-435-11 | CARBON 33K 5%                           | 1/4W                        |
| R56          | 1-249-429-11 | CARBON 10K 5%                           | 1/4W                        |
| R57          | 1-249-429-11 | CARBON 10K 5%                           | 1/4W                        |
| R58          | 1-247-807-31 | CARBON 100 5%                           | 1/4W                        |
|              |              | < RELAY >                               |                             |
| $\Delta$ RY1 | 1-755-439-11 | RELAY                                   |                             |
|              |              | < TRANSFORMER >                         |                             |
| $\Delta$ T2  | 1-437-312-11 | TRANSFORMER, POWER (DA2ES)              |                             |
| $\Delta$ T2  | 1-437-313-11 | TRANSFORMER, POWER (DB1080: SP, MY, KR) |                             |
| $\Delta$ T2  | 1-437-314-11 | TRANSFORMER, POWER (DB1080: AEP, UK)    |                             |
| $\Delta$ T2  | 1-437-313-21 | TRANSFORMER, POWER (DB1080: E)          |                             |
|              |              | *****                                   |                             |
|              | A-4728-471-A | BIAS BOARD, COMPLETE (DA2ES: US)        |                             |
|              | A-4728-495-A | BIAS BOARD, COMPLETE (DA2ES: CND)       |                             |
|              | A-4728-498-A | BIAS BOARD, COMPLETE (DB1080: SP, MY)   |                             |
|              | A-4728-509-A | BIAS BOARD, COMPLETE (DB1080: E, KR)    |                             |
|              | A-4728-519-A | BIAS BOARD, COMPLETE (DB1080: AEP, UK)  |                             |
|              |              | *****                                   |                             |
|              |              | < CAPACITOR >                           |                             |
| C431         | 1-126-947-11 | ELECT 47uF 20%                          | 16V (DA2ES)                 |
| C431         | 1-128-840-11 | ELECT 47uF 20%                          | 16V (DB1080: E, SP, MY, KR) |
| C431         | 1-135-708-11 | ELECT 47uF 16V                          | (DB1080: AEP, UK)           |
| C432         | 1-128-813-11 | CERAMIC 220PF 5%                        | 50V                         |
| C433         | 1-136-153-00 | FILM 0.01uF 5%                          | 50V                         |



| Ref. No. | Part No.     | Description | Remark |     |                                 | Ref. No.       | Part No.     | Description    | Remark        |     |                                  |
|----------|--------------|-------------|--------|-----|---------------------------------|----------------|--------------|----------------|---------------|-----|----------------------------------|
| C434     | 1-119-824-11 | ELECT       | 10uF   | 20% | 50V<br>(DB1080: AEP, UK)        | C684           | 1-126-964-11 | ELECT          | 10uF          | 20% | 50V<br>(EXCEPT DB1080: AEP, UK)  |
| C434     | 1-126-964-11 | ELECT       | 10uF   | 20% | 50V<br>(EXCEPT DB1080: AEP, UK) | C805           | 1-126-935-11 | ELECT          | 470uF         | 20% | 6.3V<br>(EXCEPT DB1080: AEP, UK) |
| C481     | 1-126-947-11 | ELECT       | 47uF   | 20% | 16V<br>(DA2ES)                  | C805           | 1-137-657-11 | ELECT          | 470uF         | 20% | 6.3V<br>(DB1080: AEP, UK)        |
| C481     | 1-128-840-11 | ELECT       | 47uF   | 20% | 16V<br>(DB1080: E, SP, MY, KR)  | C806           | 1-128-805-11 | CERAMIC        | 47PF          | 5%  | 50V                              |
| C481     | 1-135-708-11 | ELECT       | 47uF   |     | 16V<br>(DB1080: AEP, UK)        | C807           | 1-126-965-11 | ELECT          | 22uF          | 20% | 50V                              |
| C482     | 1-128-813-11 | CERAMIC     | 220PF  | 5%  | 50V                             | C808           | 1-128-805-11 | CERAMIC        | 47PF          | 5%  | 50V                              |
| C483     | 1-136-153-00 | FILM        | 0.01uF | 5%  | 50V                             | < CONNECTOR >  |              |                |               |     |                                  |
| C484     | 1-119-824-11 | ELECT       | 10uF   | 20% | 50V<br>(DB1080: AEP, UK)        | CN431          | 1-784-923-11 | PIN, CONNECTOR | 7P            |     |                                  |
| C484     | 1-126-964-11 | ELECT       | 10uF   | 20% | 50V<br>(EXCEPT DB1080: AEP, UK) | CN481          | 1-784-923-11 | PIN, CONNECTOR | 7P            |     |                                  |
| C531     | 1-126-947-11 | ELECT       | 47uF   | 20% | 16V<br>(DA2ES)                  | CN531          | 1-784-923-11 | PIN, CONNECTOR | 7P            |     |                                  |
| C531     | 1-128-840-11 | ELECT       | 47uF   | 20% | 16V<br>(DB1080: E, SP, MY, KR)  | CN581          | 1-784-923-11 | PIN, CONNECTOR | 7P            |     |                                  |
| C531     | 1-135-708-11 | ELECT       | 47uF   |     | 16V<br>(DB1080: AEP, UK)        | CN631          | 1-784-923-11 | PIN, CONNECTOR | 7P            |     |                                  |
| C532     | 1-128-813-11 | CERAMIC     | 220PF  | 5%  | 50V                             | CN681          | 1-784-923-11 | PIN, CONNECTOR | 7P            |     |                                  |
| C533     | 1-136-153-00 | FILM        | 0.01uF | 5%  | 50V                             | < DIODE >      |              |                |               |     |                                  |
| C534     | 1-119-824-11 | ELECT       | 10uF   | 20% | 50V<br>(DB1080: AEP, UK)        | D431           | 8-719-911-19 | DIODE          | 1SS119-25     |     |                                  |
| C534     | 1-126-964-11 | ELECT       | 10uF   | 20% | 50V<br>(EXCEPT DB1080: AEP, UK) | D432           | 8-719-911-19 | DIODE          | 1SS119-25     |     |                                  |
| C581     | 1-126-947-11 | ELECT       | 47uF   | 20% | 16V<br>(DA2ES)                  | D481           | 8-719-911-19 | DIODE          | 1SS119-25     |     |                                  |
| C581     | 1-128-840-11 | ELECT       | 47uF   | 20% | 16V<br>(DB1080: E, SP, MY, KR)  | D482           | 8-719-911-19 | DIODE          | 1SS119-25     |     |                                  |
| C581     | 1-135-708-11 | ELECT       | 47uF   |     | 16V<br>(DB1080: AEP, UK)        | D531           | 8-719-911-19 | DIODE          | 1SS119-25     |     |                                  |
| C582     | 1-128-813-11 | CERAMIC     | 220PF  | 5%  | 50V                             | D532           | 8-719-911-19 | DIODE          | 1SS119-25     |     |                                  |
| C583     | 1-136-153-00 | FILM        | 0.01uF | 5%  | 50V                             | D581           | 8-719-911-19 | DIODE          | 1SS119-25     |     |                                  |
| C584     | 1-119-824-11 | ELECT       | 10uF   | 20% | 50V<br>(DB1080: AEP, UK)        | D582           | 8-719-911-19 | DIODE          | 1SS119-25     |     |                                  |
| C584     | 1-126-964-11 | ELECT       | 10uF   | 20% | 50V<br>(EXCEPT DB1080: AEP, UK) | D631           | 8-719-911-19 | DIODE          | 1SS119-25     |     |                                  |
| C631     | 1-126-947-11 | ELECT       | 47uF   | 20% | 16V<br>(DA2ES)                  | D632           | 8-719-911-19 | DIODE          | 1SS119-25     |     |                                  |
| C631     | 1-128-840-11 | ELECT       | 47uF   | 20% | 16V<br>(DB1080: E, SP, MY, KR)  | D681           | 8-719-911-19 | DIODE          | 1SS119-25     |     |                                  |
| C631     | 1-135-708-11 | ELECT       | 47uF   |     | 16V<br>(DB1080: AEP, UK)        | D682           | 8-719-911-19 | DIODE          | 1SS119-25     |     |                                  |
| C632     | 1-128-813-11 | CERAMIC     | 220PF  | 5%  | 50V                             | D805           | 8-719-911-19 | DIODE          | 1SS119-25     |     |                                  |
| C633     | 1-136-153-00 | FILM        | 0.01uF | 5%  | 50V                             | D806           | 8-719-911-19 | DIODE          | 1SS119-25     |     |                                  |
| C634     | 1-119-824-11 | ELECT       | 10uF   | 20% | 50V<br>(DB1080: AEP, UK)        | D807           | 8-719-911-19 | DIODE          | 1SS119-25     |     |                                  |
| C634     | 1-126-964-11 | ELECT       | 10uF   | 20% | 50V<br>(EXCEPT DB1080: AEP, UK) | D808           | 8-719-911-19 | DIODE          | 1SS119-25     |     |                                  |
| C681     | 1-126-947-11 | ELECT       | 47uF   | 20% | 16V<br>(DA2ES)                  | D817           | 8-719-911-19 | DIODE          | 1SS119-25     |     |                                  |
| C681     | 1-128-840-11 | ELECT       | 47uF   | 20% | 16V<br>(DB1080: E, SP, MY, KR)  | < IC >         |              |                |               |     |                                  |
| C681     | 1-135-708-11 | ELECT       | 47uF   |     | 16V<br>(DB1080: AEP, UK)        | IC803          | 8-759-636-74 | IC             | M5218AP-22    |     |                                  |
| C682     | 1-128-813-11 | CERAMIC     | 220PF  | 5%  | 50V                             | < TRANSISTOR > |              |                |               |     |                                  |
| C683     | 1-136-153-00 | FILM        | 0.01uF | 5%  | 50V                             | Q432           | 8-729-140-82 | TRANSISTOR     | 2SA988-PAFAEA |     |                                  |
| C684     | 1-119-824-11 | ELECT       | 10uF   | 20% | 50V<br>(DB1080: AEP, UK)        | Q433           | 8-729-140-82 | TRANSISTOR     | 2SA988-PAFAEA |     |                                  |
|          |              |             |        |     |                                 | Q434           | 8-729-281-53 | TRANSISTOR     | 2SC1815-GR    |     |                                  |
|          |              |             |        |     |                                 | Q482           | 8-729-140-82 | TRANSISTOR     | 2SA988-PAFAEA |     |                                  |
|          |              |             |        |     |                                 | Q483           | 8-729-140-82 | TRANSISTOR     | 2SA988-PAFAEA |     |                                  |
|          |              |             |        |     |                                 | Q484           | 8-729-281-53 | TRANSISTOR     | 2SC1815-GR    |     |                                  |
|          |              |             |        |     |                                 | Q532           | 8-729-140-82 | TRANSISTOR     | 2SA988-PAFAEA |     |                                  |
|          |              |             |        |     |                                 | Q533           | 8-729-140-82 | TRANSISTOR     | 2SA988-PAFAEA |     |                                  |
|          |              |             |        |     |                                 | Q534           | 8-729-281-53 | TRANSISTOR     | 2SC1815-GR    |     |                                  |
|          |              |             |        |     |                                 | Q582           | 8-729-140-82 | TRANSISTOR     | 2SA988-PAFAEA |     |                                  |
|          |              |             |        |     |                                 | Q583           | 8-729-140-82 | TRANSISTOR     | 2SA988-PAFAEA |     |                                  |
|          |              |             |        |     |                                 | Q584           | 8-729-281-53 | TRANSISTOR     | 2SC1815-GR    |     |                                  |
|          |              |             |        |     |                                 | Q632           | 8-729-140-82 | TRANSISTOR     | 2SA988-PAFAEA |     |                                  |
|          |              |             |        |     |                                 | Q633           | 8-729-140-82 | TRANSISTOR     | 2SA988-PAFAEA |     |                                  |
|          |              |             |        |     |                                 | Q634           | 8-729-281-53 | TRANSISTOR     | 2SC1815-GR    |     |                                  |
|          |              |             |        |     |                                 | Q682           | 8-729-140-82 | TRANSISTOR     | 2SA988-PAFAEA |     |                                  |

**BIAS**

| Ref. No.     | Part No.     | Description | Remark                                   |
|--------------|--------------|-------------|--|
| Q683         | 8-729-140-82 | TRANSISTOR  | 2SA988-PAFAEA                            |
| Q684         | 8-729-281-53 | TRANSISTOR  | 2SC1815-GR                               |
| Q802         | 8-729-119-78 | TRANSISTOR  | 2SC2785-HFE                              |
| Q803         | 8-729-140-82 | TRANSISTOR  | 2SA988-PAFAEA                            |
| Q804         | 8-729-900-36 | TRANSISTOR  | DTC124ES                                 |
| Q805         | 8-729-140-84 | TRANSISTOR  | 2SC1841-PAFAEA                           |
| < RESISTOR > |              |             |  |
| R432         | 1-243-131-22 | CARBON      | 4.7K 5% 1/4W<br>(DB1080: AEP, UK)        |
| R432         | 1-249-425-11 | CARBON      | 4.7K 5% 1/4W<br>(EXCEPT DB1080: AEP, UK) |
| R433         | 1-243-115-22 | CARBON      | 1K 5% 1/4W<br>(DB1080: AEP, UK)          |
| R433         | 1-249-417-11 | CARBON      | 1K 5% 1/4W<br>(EXCEPT DB1080: AEP, UK)   |
| R434         | 1-243-139-22 | CARBON      | 10K 5% 1/4W<br>(DB1080: AEP, UK)         |
| R434         | 1-249-429-11 | CARBON      | 10K 5% 1/4W<br>(EXCEPT DB1080: AEP, UK)  |
| △R435        | 1-240-855-11 | CARBON      | 6.2K 5% 1/4W F                           |
| R436         | 1-249-425-11 | CARBON      | 4.7K 5% 1/4W                             |
| R437         | 1-249-420-11 | CARBON      | 1.8K 5% 1/4W                             |
| R438         | 1-249-439-11 | CARBON      | 68K 5% 1/4W                              |
| R439         | 1-249-431-11 | CARBON      | 15K 5% 1/4W                              |
| R440         | 1-247-843-11 | CARBON      | 3.3K 5% 1/4W<br>(DA2ES)                  |
| R440         | 1-249-421-11 | CARBON      | 2.2K 5% 1/4W<br>(DB1080)                 |
| R441         | 1-249-433-11 | CARBON      | 22K 5% 1/4W                              |
| R442         | 1-249-431-11 | CARBON      | 15K 5% 1/4W                              |
| R443         | 1-249-437-11 | CARBON      | 47K 5% 1/4W                              |
| R444         | 1-249-437-11 | CARBON      | 47K 5% 1/4W                              |
| R445         | 1-249-433-11 | CARBON      | 22K 5% 1/4W                              |
| R482         | 1-243-131-22 | CARBON      | 4.7K 5% 1/4W<br>(DB1080: AEP, UK)        |
| R482         | 1-249-425-11 | CARBON      | 4.7K 5% 1/4W<br>(EXCEPT DB1080: AEP, UK) |
| R483         | 1-243-115-22 | CARBON      | 1K 5% 1/4W<br>(DB1080: AEP, UK)          |
| R483         | 1-249-417-11 | CARBON      | 1K 5% 1/4W<br>(EXCEPT DB1080: AEP, UK)   |
| R484         | 1-243-139-22 | CARBON      | 10K 5% 1/4W<br>(DB1080: AEP, UK)         |
| R484         | 1-249-429-11 | CARBON      | 10K 5% 1/4W<br>(EXCEPT DB1080: AEP, UK)  |
| △R485        | 1-240-855-11 | CARBON      | 6.2K 5% 1/4W F                           |
| R486         | 1-249-425-11 | CARBON      | 4.7K 5% 1/4W                             |
| R487         | 1-249-420-11 | CARBON      | 1.8K 5% 1/4W                             |
| R488         | 1-249-439-11 | CARBON      | 68K 5% 1/4W                              |
| R489         | 1-249-431-11 | CARBON      | 15K 5% 1/4W                              |
| R490         | 1-247-843-11 | CARBON      | 3.3K 5% 1/4W<br>(DA2ES)                  |
| R490         | 1-249-421-11 | CARBON      | 2.2K 5% 1/4W<br>(DB1080)                 |
| R491         | 1-249-433-11 | CARBON      | 22K 5% 1/4W                              |
| R492         | 1-249-431-11 | CARBON      | 15K 5% 1/4W                              |
| R493         | 1-249-437-11 | CARBON      | 47K 5% 1/4W                              |
| R494         | 1-249-437-11 | CARBON      | 47K 5% 1/4W                              |
| R495         | 1-249-433-11 | CARBON      | 22K 5% 1/4W                              |

| Ref. No. | Part No.     | Description | Remark                                   |
|----------|--------------|-------------|--|
| R532     | 1-243-131-22 | CARBON      | 4.7K 5% 1/4W<br>(DB1080: AEP, UK)        |
| R532     | 1-249-425-11 | CARBON      | 4.7K 5% 1/4W<br>(EXCEPT DB1080: AEP, UK) |
| R533     | 1-243-115-22 | CARBON      | 1K 5% 1/4W<br>(DB1080: AEP, UK)          |
| R533     | 1-249-417-11 | CARBON      | 1K 5% 1/4W<br>(EXCEPT DB1080: AEP, UK)   |
| R534     | 1-243-139-22 | CARBON      | 10K 5% 1/4W<br>(DB1080: AEP, UK)         |
| R534     | 1-249-429-11 | CARBON      | 10K 5% 1/4W<br>(EXCEPT DB1080: AEP, UK)  |
| △R535    | 1-240-855-11 | CARBON      | 6.2K 5% 1/4W F                           |
| R536     | 1-249-425-11 | CARBON      | 4.7K 5% 1/4W                             |
| R537     | 1-249-420-11 | CARBON      | 1.8K 5% 1/4W                             |
| R538     | 1-249-439-11 | CARBON      | 68K 5% 1/4W                              |
| R539     | 1-249-431-11 | CARBON      | 15K 5% 1/4W                              |
| R540     | 1-247-843-11 | CARBON      | 3.3K 5% 1/4W<br>(DA2ES)                  |
| R540     | 1-249-421-11 | CARBON      | 2.2K 5% 1/4W<br>(DB1080)                 |
| R541     | 1-249-433-11 | CARBON      | 22K 5% 1/4W                              |
| R542     | 1-249-431-11 | CARBON      | 15K 5% 1/4W                              |
| R543     | 1-249-437-11 | CARBON      | 47K 5% 1/4W                              |
| R544     | 1-249-437-11 | CARBON      | 47K 5% 1/4W                              |
| R545     | 1-249-433-11 | CARBON      | 22K 5% 1/4W                              |
| R582     | 1-243-131-22 | CARBON      | 4.7K 5% 1/4W<br>(DB1080: AEP, UK)        |
| R582     | 1-249-425-11 | CARBON      | 4.7K 5% 1/4W<br>(EXCEPT DB1080: AEP, UK) |
| R583     | 1-243-115-22 | CARBON      | 1K 5% 1/4W<br>(DB1080: AEP, UK)          |
| R583     | 1-249-417-11 | CARBON      | 1K 5% 1/4W<br>(EXCEPT DB1080: AEP, UK)   |
| R584     | 1-243-139-22 | CARBON      | 10K 5% 1/4W<br>(DB1080: AEP, UK)         |
| R584     | 1-249-429-11 | CARBON      | 10K 5% 1/4W<br>(EXCEPT DB1080: AEP, UK)  |
| △R585    | 1-240-855-11 | CARBON      | 6.2K 5% 1/4W F                           |
| R586     | 1-249-425-11 | CARBON      | 4.7K 5% 1/4W                             |
| R587     | 1-249-420-11 | CARBON      | 1.8K 5% 1/4W                             |
| R588     | 1-249-439-11 | CARBON      | 68K 5% 1/4W                              |
| R589     | 1-249-431-11 | CARBON      | 15K 5% 1/4W                              |
| R590     | 1-247-843-11 | CARBON      | 3.3K 5% 1/4W<br>(DA2ES)                  |
| R590     | 1-249-421-11 | CARBON      | 2.2K 5% 1/4W<br>(DB1080)                 |
| R591     | 1-249-433-11 | CARBON      | 22K 5% 1/4W                              |
| R592     | 1-249-431-11 | CARBON      | 15K 5% 1/4W                              |
| R593     | 1-249-437-11 | CARBON      | 47K 5% 1/4W                              |
| R594     | 1-249-437-11 | CARBON      | 47K 5% 1/4W                              |
| R595     | 1-249-433-11 | CARBON      | 22K 5% 1/4W                              |
| R632     | 1-243-131-22 | CARBON      | 4.7K 5% 1/4W<br>(DB1080: AEP, UK)        |
| R632     | 1-249-425-11 | CARBON      | 4.7K 5% 1/4W<br>(EXCEPT DB1080: AEP, UK) |
| R633     | 1-243-115-22 | CARBON      | 1K 5% 1/4W<br>(DB1080: AEP, UK)          |
| R633     | 1-249-417-11 | CARBON      | 1K 5% 1/4W<br>(EXCEPT DB1080: AEP, UK)   |

The components identified by mark △ or dotted line with mark △ are critical for safety. Replace only with part number specified.

Les composants identifiés par une marque △ sont critiques pour la sécurité. Ne les remplacer que par une pièce portant le numéro spécifié.

**BIAS**    **DC 1**    **DC 2**

| Ref. No. | Part No.     | Description   | Remark                                   | Ref. No. | Part No.     | Description                      | Remark  |
|----------|--------------|---------------|--|----------|--------------|----------------------------------|---|
| R634     | 1-243-139-22 | CARBON        | 10K 5% 1/4W<br>(DB1080: AEP, UK)         | C916     | 1-137-666-12 | ELECT                            | 15000uF 20% 71V                                 |
| R634     | 1-249-429-11 | CARBON        | 10K 5% 1/4W<br>(EXCEPT DB1080: AEP, UK)  | C917     | 1-136-196-11 | MYLAR                            | 0.033uF 10% 250V<br>(DA2ES)                     |
| △R635    | 1-240-855-11 | CARBON        | 6.2K 5% 1/4W F                           | C917     | 1-137-350-11 | MYLAR                            | 0.015uF 10% 100V<br>(DB1080)                    |
| R636     | 1-249-425-11 | CARBON        | 4.7K 5% 1/4W                             | C918     | 1-136-196-11 | MYLAR                            | 0.033uF 10% 250V<br>(DA2ES)                     |
| R637     | 1-249-420-11 | CARBON        | 1.8K 5% 1/4W                             | C918     | 1-137-350-11 | MYLAR                            | 0.015uF 10% 100V<br>(DB1080)                    |
| R638     | 1-249-439-11 | CARBON        | 68K 5% 1/4W                              | C919     | 1-104-999-11 | MYLAR                            | 0.1uF 10% 200V<br>(DB1080)                      |
| R639     | 1-249-431-11 | CARBON        | 15K 5% 1/4W                              |          |              |                                  |   |
| R640     | 1-247-843-11 | CARBON        | 3.3K 5% 1/4W<br>(DA2ES)                  |          |              |                                  |   |
| R640     | 1-249-421-11 | CARBON        | 2.2K 5% 1/4W<br>(DB1080)                 |          |              | < DIODE >                        |   |
| R641     | 1-249-433-11 | CARBON        | 22K 5% 1/4W                              | D914     | 8-719-505-60 | DIODE S5VB60                     |   |
| R642     | 1-249-431-11 | CARBON        | 15K 5% 1/4W                              |          |              | < RESISTOR >                     |   |
| R643     | 1-249-437-11 | CARBON        | 47K 5% 1/4W                              | △R913    | 1-249-407-11 | CARBON                           | 150 5% 1/4W F<br>(DB1080)                       |
| R644     | 1-249-437-11 | CARBON        | 47K 5% 1/4W                              |          |              |                                  | *****   |
| R645     | 1-249-433-11 | CARBON        | 22K 5% 1/4W                              |          |              | A-4728-486-A                     | DC 2 BOARD, COMPLETE (DA2ES: US)                |
| R682     | 1-243-131-22 | CARBON        | 4.7K 5% 1/4W<br>(DB1080: AEP, UK)        |          |              | A-4728-496-A                     | DC 2 BOARD, COMPLETE (DA2ES: CND)               |
| R682     | 1-249-425-11 | CARBON        | 4.7K 5% 1/4W<br>(EXCEPT DB1080: AEP, UK) |          |              | A-4728-502-A                     | DC 2 BOARD, COMPLETE<br>(DB1080: E, SP, MY, KR) |
| R683     | 1-243-115-22 | CARBON        | 1K 5% 1/4W<br>(DB1080: AEP, UK)          |          |              | A-4728-521-A                     | DC 2 BOARD, COMPLETE (DB1080: AEP, UK)<br>***** |
| R683     | 1-249-417-11 | CARBON        | 1K 5% 1/4W<br>(EXCEPT DB1080: AEP, UK)   |          |              | 1-533-217-41                     | HOLDER, FUSE                                    |
| R684     | 1-243-139-22 | CARBON        | 10K 5% 1/4W<br>(DB1080: AEP, UK)         |          |              |                                  | < CAPACITOR >                                   |
| R684     | 1-249-429-11 | CARBON        | 10K 5% 1/4W<br>(EXCEPT DB1080: AEP, UK)  | C901     | 1-126-947-11 | ELECT                            | 47uF 20% 16V                                    |
| △R685    | 1-240-855-11 | CARBON        | 6.2K 5% 1/4W F                           | C902     | 1-126-953-11 | ELECT                            | 2200uF 20% 35V<br>(DA2ES)                       |
| R686     | 1-249-425-11 | CARBON        | 4.7K 5% 1/4W                             | C902     | 1-127-732-51 | ELECT                            | 2200uF 20% 35V<br>(DB1080: E, SP, MY, KR)       |
| R687     | 1-249-420-11 | CARBON        | 1.8K 5% 1/4W                             | C902     | 1-135-781-51 | ELECT                            | 2200uF 35V<br>(DB1080: AEP, UK)                 |
| R688     | 1-249-439-11 | CARBON        | 68K 5% 1/4W                              | C903     | 1-126-952-11 | ELECT                            | 1000uF 20% 35V<br>(DA2ES)                       |
| R689     | 1-249-431-11 | CARBON        | 15K 5% 1/4W                              | C903     | 1-127-731-51 | ELECT                            | 1000uF 20% 35V<br>(DB1080: E, SP, MY, KR)       |
| R690     | 1-247-843-11 | CARBON        | 3.3K 5% 1/4W<br>(DA2ES)                  | C903     | 1-135-780-51 | ELECT                            | 1000uF 35V<br>(DB1080: AEP, UK)                 |
| R690     | 1-249-421-11 | CARBON        | 2.2K 5% 1/4W<br>(DB1080)                 | C904     | 1-126-967-11 | ELECT                            | 47uF 20% 50V                                    |
| R691     | 1-249-433-11 | CARBON        | 22K 5% 1/4W                              | C905     | 1-126-947-11 | ELECT                            | 47uF 20% 16V                                    |
| R692     | 1-249-431-11 | CARBON        | 15K 5% 1/4W                              | C906     | 1-126-967-11 | ELECT                            | 47uF 20% 50V                                    |
| R693     | 1-249-437-11 | CARBON        | 47K 5% 1/4W                              | C907     | 1-126-937-11 | ELECT                            | 4700uF 20% 16V<br>(DA2ES)                       |
| R694     | 1-249-437-11 | CARBON        | 47K 5% 1/4W                              | C907     | 1-127-723-51 | ELECT                            | 4700uF 20% 16V<br>(DB1080: E, SP, MY, KR)       |
| R695     | 1-249-433-11 | CARBON        | 22K 5% 1/4W                              | C907     | 1-135-696-11 | ELECT                            | 4700uF 16V<br>(DB1080: AEP, UK)                 |
| R801     | 1-249-433-11 | CARBON        | 22K 5% 1/4W                              | C908     | 1-126-767-11 | ELECT                            | 1000uF 20% 16V                                  |
| R802     | 1-249-417-11 | CARBON        | 1K 5% 1/4W                               | C909     | 1-128-554-11 | ELECT                            | 330uF 20% 63V                                   |
| R803     | 1-249-435-11 | CARBON        | 33K 5% 1/4W                              | C912     | 1-126-947-11 | ELECT                            | 47uF 20% 16V                                    |
| R804     | 1-249-429-11 | CARBON        | 10K 5% 1/4W                              | C920     | 1-162-306-11 | CERAMIC                          | 0.01uF 30% 16V                                  |
| R805     | 1-249-429-11 | CARBON        | 10K 5% 1/4W                              |          |              | < CONNECTOR >                    |   |
| R806     | 1-249-433-11 | CARBON        | 22K 5% 1/4W                              | CN902    | 1-784-923-11 | PIN, CONNECTOR 7P                |   |
| R807     | 1-249-429-11 | CARBON        | 10K 5% 1/4W                              | CN904    | 1-784-922-11 | PIN, CONNECTOR 5P                |   |
| R810     | 1-249-429-11 | CARBON        | 10K 5% 1/4W                              | CN905    | 1-785-101-11 | PIN, CONNECTOR (3.96mm PITCH) 3P |   |
| R811     | 1-247-895-00 | CARBON        | 470K 5% 1/4W                             |          |              |                                  |   |
| *****    |              |               |  |          |              |                                  |   |
|          | 1-684-324-11 | DC 1 BOARD    |  |          |              |                                  |   |
|          |              | *****         |  |          |              |                                  |   |
|          |              | < CAPACITOR > |  |          |              |                                  |   |
| C915     | 1-137-666-12 | ELECT         | 15000uF 20% 71V                          |          |              |                                  |   |

|  |  |
|--|--|
| The components identified by mark △ or dotted line with mark △ are critical for safety. Replace only with part number specified. | Les composants identifiés par une marque △ sont critiques pour la sécurité. Ne les remplacer que par une pièce portant le numéro spécifié. |
|--|--|

# STR-DA2ES/DB1080

## DC 2 DIGITAL

| Ref. No.       | Part No.     | Description                        | Remark              |
|----------------|--------------|------------------------------------|---------------------|
| CN906          | 1-691-768-11 | PLUG (MICRO CONNECTOR) 6P          |                     |
| CN907          | 1-564-510-11 | PLUG (MICRO CONNECTOR) 6P          |                     |
| CN909          | 1-785-103-11 | PIN, CONNECTOR (3.96mm PITCH) 5P   |                     |
| < DIODE >      |              |                                    |                     |
| D901           | 8-719-109-89 | DIODE RD5.6ESB2                    |                     |
| D902           | 8-719-983-95 | DIODE MTZJ-T-72-39                 |                     |
| D903           | 8-719-024-99 | DIODE 11ES2-NTA2B                  |                     |
| D904           | 8-719-024-99 | DIODE 11ES2-NTA2B                  |                     |
| D905           | 8-719-024-99 | DIODE 11ES2-NTA2B                  |                     |
| D906           | 8-719-024-99 | DIODE 11ES2-NTA2B                  |                     |
| D907           | 8-719-118-63 | DIODE RD5.6F-T7B2                  |                     |
| D908           | 8-719-510-53 | DIODE D4SB60L                      |                     |
| D909           | 8-719-024-99 | DIODE 11ES2-NTA2B                  |                     |
| D912           | 8-719-024-99 | DIODE 11ES2-NTA2B                  |                     |
| D913           | 8-719-024-99 | DIODE 11ES2-NTA2B                  |                     |
| < TERMINAL >   |              |                                    |                     |
| * EB902        | 1-537-738-21 | TERMINAL, EARTH                    |                     |
| < TRANSISTOR > |              |                                    |                     |
| Q902           | 8-729-041-38 | TRANSISTOR 2SB1241-Q-TV2           |                     |
| Q903           | 8-729-051-94 | TRANSISTOR 2SD1863TV2              |                     |
| Q904           | 8-729-119-76 | TRANSISTOR 2SA1115-EF              |                     |
| Q905           | 8-729-119-76 | TRANSISTOR 2SA1115-EF              |                     |
| < RESISTOR >   |              |                                    |                     |
| R902           | 1-249-433-11 | CARBON 22K 5% 1/4W                 |                     |
| R903           | 1-249-421-11 | CARBON 2.2K 5% 1/4W                |                     |
| R904           | 1-249-429-11 | CARBON 10K 5% 1/4W                 |                     |
| R905           | 1-249-429-11 | CARBON 10K 5% 1/4W                 |                     |
| R906           | 1-249-421-11 | CARBON 2.2K 5% 1/4W                |                     |
| R908           | 1-249-429-11 | CARBON 10K 5% 1/4W                 |                     |
| △R909          | 1-249-385-11 | CARBON 2.2 5% 1/6W F               | (DA2ES: US, DB1080) |
| △R909          | 1-212-974-00 | FUSIBLE 47 5% 1/2W F               | (DA2ES: CND)        |
| △R910          | 1-249-385-11 | CARBON 2.2 5% 1/6W F               | (DA2ES: US, DB1080) |
| △R910          | 1-212-974-00 | FUSIBLE 47 5% 1/2W F               | (DA2ES: CND)        |
| △R911          | 1-216-349-81 | METAL OXIDE 1 5% 1W F              |                     |
| △R912          | 1-216-349-81 | METAL OXIDE 1 5% 1W F              |                     |
| < SWITCH >     |              |                                    |                     |
| S901           | 1-771-876-11 | SWITCH, POWER (IMPEDANCE SELECTOR) |                     |

\*\*\*\*\*

| Ref. No.                 | Part No.     | Description                              | Remark            |
|--------------------------|--------------|--|-------------------|
|                          | A-4728-489-A | DIGITAL BOARD, COMPLETE (DA2ES)          |                   |
|                          | A-4728-506-A | DIGITAL BOARD, COMPLETE (DB1080: SP, MY) |                   |
|                          | A-4728-516-A | DIGITAL BOARD, COMPLETE (DB1080: E)      |                   |
|                          | A-4728-523-A | DIGITAL BOARD, COMPLETE                  | (DB1080: AEP, UK) |
|                          | A-4729-066-A | DIGITAL BOARD, COMPLETE (DB1080: KR)     |                   |
| *****                    |              |  |                   |
| *                        | 3-309-144-21 | HEAT SINK                                |                   |
|                          | 7-685-872-09 | SCREW +BVTT 3X8 (S)                      |                   |
| < CAPACITOR >            |              |  |                   |
| C1101                    | 1-165-319-11 | CERAMIC CHIP 0.1uF                       | 50V               |
| C1102                    | 1-126-947-11 | ELECT 47uF                               | 20% 16V           |
| (EXCEPT DB1080: AEP, UK) |              |  |                   |
| C1102                    | 1-128-840-11 | ELECT 47uF                               | 20% 16V           |
| (DB1080: AEP, UK)        |              |  |                   |
| C1103                    | 1-119-824-11 | ELECT 10uF                               | 20% 50V           |
| (DB1080: AEP, UK)        |              |  |                   |
| C1103                    | 1-126-964-11 | ELECT 10uF                               | 20% 50V           |
| (EXCEPT DB1080: AEP, UK) |              |  |                   |
| C1104                    | 1-119-823-11 | ELECT 4.7uF                              | 20% 50V           |
| (DB1080: AEP, UK)        |              |  |                   |
| C1104                    | 1-126-963-11 | ELECT 4.7uF                              | 20% 50V           |
| (EXCEPT DB1080: AEP, UK) |              |  |                   |
| C1105                    | 1-163-133-00 | CERAMIC CHIP 470PF                       | 5% 50V            |
| C1106                    | 1-119-823-11 | ELECT 4.7uF                              | 20% 50V           |
| (DB1080: AEP, UK)        |              |  |                   |
| C1106                    | 1-126-963-11 | ELECT 4.7uF                              | 20% 50V           |
| (EXCEPT DB1080: AEP, UK) |              |  |                   |
| C1107                    | 1-119-824-11 | ELECT 10uF                               | 20% 50V           |
| (DB1080: AEP, UK)        |              |  |                   |
| C1107                    | 1-126-964-11 | ELECT 10uF                               | 20% 50V           |
| (EXCEPT DB1080: AEP, UK) |              |  |                   |
| C1108                    | 1-163-133-00 | CERAMIC CHIP 470PF                       | 5% 50V            |
| C1109                    | 1-126-947-11 | ELECT 47uF                               | 20% 16V           |
| (EXCEPT DB1080: AEP, UK) |              |  |                   |
| C1109                    | 1-128-840-11 | ELECT 47uF                               | 20% 16V           |
| (DB1080: AEP, UK)        |              |  |                   |
| C1110                    | 1-165-319-11 | CERAMIC CHIP 0.1uF                       | 50V               |
| C1111                    | 1-165-319-11 | CERAMIC CHIP 0.1uF                       | 50V               |
| C1112                    | 1-165-319-11 | CERAMIC CHIP 0.1uF                       | 50V               |
| C1113                    | 1-165-319-11 | CERAMIC CHIP 0.1uF                       | 50V               |
| C1114                    | 1-163-125-00 | CERAMIC CHIP 220PF                       | 5% 50V            |
| C1115                    | 1-163-125-00 | CERAMIC CHIP 220PF                       | 5% 50V            |
| C1116                    | 1-165-319-11 | CERAMIC CHIP 0.1uF                       | 50V               |
| C1121                    | 1-126-965-11 | ELECT 22uF                               | 20% 50V           |
| (EXCEPT DB1080: AEP, UK) |              |  |                   |
| C1121                    | 1-128-858-11 | ELECT 22uF                               | 20% 50V           |
| (DB1080: AEP, UK)        |              |  |                   |
| C1131                    | 1-126-965-11 | ELECT 22uF                               | 20% 50V           |
| (EXCEPT DB1080: AEP, UK) |              |  |                   |
| C1131                    | 1-128-858-11 | ELECT 22uF                               | 20% 50V           |
| (DB1080: AEP, UK)        |              |  |                   |
| C1201                    | 1-104-661-11 | ELECT 330uF                              | 20% 16V           |
| (DA2ES)                  |              |  |                   |
| C1201                    | 1-128-846-11 | ELECT 330uF                              | 20% 16V           |
| (DB1080: E, SP, MY, KR)  |              |  |                   |
| C1201                    | 1-135-724-11 | ELECT 330uF                              | 16V               |
| (DB1080: AEP, UK)        |              |  |                   |
| C1202                    | 1-165-319-11 | CERAMIC CHIP 0.1uF                       | 50V               |
| C1203                    | 1-165-319-11 | CERAMIC CHIP 0.1uF                       | 50V               |

|  |  |
|--|--|
| The components identified by mark △ or dotted line with mark △ are critical for safety. Replace only with part number specified. | Les composants identifiés par une marque △ sont critiques pour la sécurité. Ne les remplacer que par une pièce portant le numéro spécifié. |
|--|--|

## DIGITAL

| Ref. No. | Part No.     | Description  | Remark                                   | Ref. No. | Part No.     | Description  | Remark                                     |
|----------|--------------|--------------|--|----------|--------------|--------------|--|
| C1204    | 1-126-934-11 | ELECT        | 220uF 20% 16V<br>(DA2ES)                 | C1264    | 1-135-744-11 | ELECT        | 22uF 50V<br>(DB1080: AEP, UK)              |
| C1204    | 1-127-719-11 | ELECT        | 220uF 20% 16V<br>(DB1080: E, SP, MY, KR) | C1272    | 1-163-012-00 | CERAMIC CHIP | 0.0018uF 5% 50V                            |
| C1204    | 1-135-710-11 | ELECT        | 220uF 16V<br>(DB1080: AEP, UK)           | C1273    | 1-163-257-11 | CERAMIC CHIP | 180PF 5% 50V                               |
| C1206    | 1-165-319-11 | CERAMIC CHIP | 0.1uF 50V                                | C1274    | 1-126-965-11 | ELECT        | 22uF 20% 50V<br>(DA2ES)                    |
| C1207    | 1-119-824-11 | ELECT        | 10uF 20% 50V<br>(DB1080: E, SP, MY, KR)  | C1274    | 1-128-858-11 | ELECT        | 22uF 20% 50V<br>(DB1080: E, SP, MY, KR)    |
| C1207    | 1-126-964-11 | ELECT        | 10uF 20% 50V<br>(DA2ES)                  | C1274    | 1-135-744-11 | ELECT        | 22uF 50V<br>(DB1080: AEP, UK)              |
| C1207    | 1-135-743-11 | ELECT        | 10uF 50V<br>(DB1080: AEP, UK)            | C1282    | 1-163-012-00 | CERAMIC CHIP | 0.0018uF 5% 50V                            |
| C1209    | 1-165-319-11 | CERAMIC CHIP | 0.1uF 50V                                | C1283    | 1-163-257-11 | CERAMIC CHIP | 180PF 5% 50V                               |
| C1210    | 1-165-319-11 | CERAMIC CHIP | 0.1uF 50V                                | C1284    | 1-126-965-11 | ELECT        | 22uF 20% 50V<br>(DA2ES)                    |
| C1211    | 1-165-319-11 | CERAMIC CHIP | 0.1uF 50V                                | C1284    | 1-128-858-11 | ELECT        | 22uF 20% 50V<br>(DB1080: E, SP, MY, KR)    |
| C1212    | 1-165-319-11 | CERAMIC CHIP | 0.1uF 50V                                | C1284    | 1-135-744-11 | ELECT        | 22uF 50V<br>(DB1080: AEP, UK)              |
| C1213    | 1-119-824-11 | ELECT        | 10uF 20% 50V<br>(DB1080: E, SP, MY, KR)  | C1302    | 1-163-021-11 | CERAMIC CHIP | 0.01uF 10% 50V                             |
| C1213    | 1-126-964-11 | ELECT        | 10uF 20% 50V<br>(DA2ES)                  | C1303    |              |              |  |
| C1213    | 1-135-743-11 | ELECT        | 10uF 50V<br>(DB1080: AEP, UK)            | C1306    | 1-165-319-11 | CERAMIC CHIP | 0.1uF 50V                                  |
| C1214    | 1-115-339-11 | CERAMIC CHIP | 0.1uF 10% 50V                            | C1307    | 1-165-319-11 | CERAMIC CHIP | 0.1uF 50V                                  |
| C1222    | 1-163-012-00 | CERAMIC CHIP | 0.0018uF 5% 50V                          | C1308    | 1-165-319-11 | CERAMIC CHIP | 0.1uF 50V                                  |
| C1223    | 1-163-257-11 | CERAMIC CHIP | 180PF 5% 50V                             | C1309    | 1-126-933-11 | ELECT        | 100uF 20% 16V                              |
| C1224    | 1-126-965-11 | ELECT        | 22uF 20% 50V<br>(DA2ES)                  | C1310    | 1-126-933-11 | ELECT        | 100uF 20% 16V<br>(DB1080: AEP, UK)         |
| C1224    | 1-128-858-11 | ELECT        | 22uF 20% 50V<br>(DB1080: E, SP, MY, KR)  | C1311    | 1-165-319-11 | CERAMIC CHIP | 0.1uF 50V                                  |
| C1224    | 1-135-744-11 | ELECT        | 22uF 50V<br>(DB1080: AEP, UK)            | C1401    | 1-163-021-11 | CERAMIC CHIP | 0.01uF 10% 50V                             |
| C1232    | 1-163-012-00 | CERAMIC CHIP | 0.0018uF 5% 50V                          | C1402    | 1-165-319-11 | CERAMIC CHIP | 0.1uF 50V                                  |
| C1233    | 1-163-257-11 | CERAMIC CHIP | 180PF 5% 50V                             | C1403    | 1-165-319-11 | CERAMIC CHIP | 0.1uF 50V                                  |
| C1234    | 1-126-965-11 | ELECT        | 22uF 20% 50V<br>(DA2ES)                  | C1404    | 1-165-319-11 | CERAMIC CHIP | 0.1uF 50V                                  |
| C1234    | 1-128-858-11 | ELECT        | 22uF 20% 50V<br>(DB1080: E, SP, MY, KR)  | C1405    | 1-165-319-11 | CERAMIC CHIP | 0.1uF 50V                                  |
| C1234    | 1-135-744-11 | ELECT        | 22uF 50V<br>(DB1080: AEP, UK)            | C1406    | 1-126-967-11 | ELECT        | 47uF 20% 50V<br>(DA2ES)                    |
| C1242    | 1-163-012-00 | CERAMIC CHIP | 0.0018uF 5% 50V                          | C1406    | 1-128-860-11 | ELECT        | 47uF 20% 50V<br>(DB1080: E, SP, MY, KR)    |
| C1243    | 1-163-257-11 | CERAMIC CHIP | 180PF 5% 50V                             | C1406    | 1-135-746-11 | ELECT        | 47uF 50V<br>(DB1080: AEP, UK)              |
| C1244    | 1-126-965-11 | ELECT        | 22uF 20% 50V<br>(DA2ES)                  | C1409    | 1-165-319-11 | CERAMIC CHIP | 0.1uF 50V                                  |
| C1244    | 1-128-858-11 | ELECT        | 22uF 20% 50V<br>(DB1080: E, SP, MY, KR)  | C1410    | 1-126-916-11 | ELECT        | 1000uF 20% 6.3V<br>(DA2ES)                 |
| C1244    | 1-135-744-11 | ELECT        | 22uF 50V<br>(DB1080: AEP, UK)            | C1410    | 1-135-656-11 | ELECT        | 1000uF 6.3V<br>(DB1080: AEP, UK)           |
| C1252    | 1-163-012-00 | CERAMIC CHIP | 0.0018uF 5% 50V                          | C1410    | 1-137-658-11 | ELECT        | 1000uF 20% 6.3V<br>(DB1080: E, SP, MY, KR) |
| C1253    | 1-163-257-11 | CERAMIC CHIP | 180PF 5% 50V                             | C1411    | 1-119-824-11 | ELECT        | 10uF 20% 50V<br>(DB1080: E, SP, MY, KR)    |
| C1254    | 1-126-965-11 | ELECT        | 22uF 20% 50V<br>(DA2ES)                  | C1411    | 1-126-964-11 | ELECT        | 10uF 20% 50V<br>(DA2ES)                    |
| C1254    | 1-128-858-11 | ELECT        | 22uF 20% 50V<br>(DB1080: E, SP, MY, KR)  | C1411    | 1-135-743-11 | ELECT        | 10uF 50V<br>(DB1080: AEP, UK)              |
| C1254    | 1-135-744-11 | ELECT        | 22uF 50V<br>(DB1080: AEP, UK)            | C1412    | 1-104-760-11 | CERAMIC CHIP | 0.047uF 10% 50V                            |
| C1262    | 1-163-012-00 | CERAMIC CHIP | 0.0018uF 5% 50V                          | C1413    | 1-165-319-11 | CERAMIC CHIP | 0.1uF 50V                                  |
| C1263    | 1-163-257-11 | CERAMIC CHIP | 180PF 5% 50V                             | C1414    | 1-165-319-11 | CERAMIC CHIP | 0.1uF 50V                                  |
| C1264    | 1-126-965-11 | ELECT        | 22uF 20% 50V<br>(DA2ES)                  | C1415    | 1-164-505-11 | CERAMIC CHIP | 2.2uF 16V                                  |
| C1264    | 1-128-858-11 | ELECT        | 22uF 20% 50V<br>(DB1080: E, SP, MY, KR)  | C1416    | 1-163-021-11 | CERAMIC CHIP | 0.01uF 10% 50V                             |
|          |              |              |  | C1417    | 1-165-319-11 | CERAMIC CHIP | 0.1uF 50V                                  |
|          |              |              |  | C1418    | 1-126-933-11 | ELECT        | 100uF 20% 16V<br>(DA2ES)                   |

# STR-DA2ES/DB1080

## DIGITAL

| Ref. No. | Part No.     | Description  | Remark                                   | Ref. No. | Part No.     | Description  | Remark                                   |
|----------|--------------|--------------|--|----------|--------------|--------------|--|
| C1418    | 1-127-718-11 | ELECT        | 100uF 20% 16V<br>(DB1080: E, SP, MY, KR) | C1519    | 1-165-319-11 | CERAMIC CHIP | 0.1uF 50V                                |
| C1418    | 1-135-709-11 | ELECT        | 100uF 16V<br>(DB1080: AEP, UK)           | C1520    | 1-163-235-11 | CERAMIC CHIP | 22PF 5% 50V                              |
| C1419    | 1-165-319-11 | CERAMIC CHIP | 0.1uF 50V                                | C1521    | 1-163-233-11 | CERAMIC CHIP | 18PF 5% 50V                              |
| C1420    | 1-163-021-11 | CERAMIC CHIP | 0.01uF 10% 50V                           | C1601    | 1-165-319-11 | CERAMIC CHIP | 0.1uF 50V                                |
| C1421    | 1-165-319-11 | CERAMIC CHIP | 0.1uF 50V                                | C1602    | 1-165-319-11 | CERAMIC CHIP | 0.1uF 50V                                |
| C1422    | 1-165-319-11 | CERAMIC CHIP | 0.1uF 50V                                | C1603    | 1-165-319-11 | CERAMIC CHIP | 0.1uF 50V                                |
| C1423    | 1-165-319-11 | CERAMIC CHIP | 0.1uF 50V                                | C1604    | 1-165-319-11 | CERAMIC CHIP | 0.1uF 50V                                |
| C1424    | 1-165-319-11 | CERAMIC CHIP | 0.1uF 50V                                | C1605    | 1-165-319-11 | CERAMIC CHIP | 0.1uF 50V                                |
| C1425    | 1-163-251-11 | CERAMIC CHIP | 100PF 5% 50V                             | C1606    | 1-165-319-11 | CERAMIC CHIP | 0.1uF 50V                                |
| C1426    | 1-126-947-11 | ELECT        | 47uF 20% 16V<br>(DA2ES)                  | C1607    | 1-165-319-11 | CERAMIC CHIP | 0.1uF 50V                                |
| C1426    | 1-128-840-11 | ELECT        | 47uF 20% 16V<br>(DB1080: E, SP, MY, KR)  | C1608    | 1-165-319-11 | CERAMIC CHIP | 0.1uF 50V                                |
| C1426    | 1-135-708-11 | ELECT        | 47uF 16V<br>(DB1080: AEP, UK)            | C1609    | 1-165-319-11 | CERAMIC CHIP | 0.1uF 50V                                |
| C1427    | 1-165-319-11 | CERAMIC CHIP | 0.1uF 50V                                | C1610    | 1-165-319-11 | CERAMIC CHIP | 0.1uF 50V                                |
| C1428    | 1-165-319-11 | CERAMIC CHIP | 0.1uF 50V                                | C1611    | 1-165-319-11 | CERAMIC CHIP | 0.1uF 50V                                |
| C1429    | 1-163-231-11 | CERAMIC CHIP | 15PF 5% 50V                              | C1612    | 1-165-319-11 | CERAMIC CHIP | 0.1uF 50V                                |
| C1430    | 1-163-229-11 | CERAMIC CHIP | 12PF 5% 50V                              | C1613    | 1-126-924-11 | ELECT        | 330uF 20% 10V<br>(DA2ES)                 |
| C1431    | 1-104-661-11 | ELECT        | 330uF 20% 16V<br>(DA2ES)                 | C1613    | 1-128-833-11 | ELECT        | 330uF 10V<br>(DB1080)                    |
| C1431    | 1-128-846-11 | ELECT        | 330uF 20% 16V<br>(DB1080: E, SP, MY, KR) | C1614    | 1-165-319-11 | CERAMIC CHIP | 0.1uF 50V                                |
| C1431    | 1-135-724-11 | ELECT        | 330uF 16V<br>(DB1080: AEP, UK)           | C1615    | 1-165-319-11 | CERAMIC CHIP | 0.1uF 50V                                |
| C1432    | 1-165-319-11 | CERAMIC CHIP | 0.1uF 50V                                | C1616    | 1-165-319-11 | CERAMIC CHIP | 0.1uF 50V                                |
| C1434    | 1-163-133-00 | CERAMIC CHIP | 470PF 5% 50V                             | C1617    | 1-126-935-11 | ELECT        | 470uF 20% 16V<br>(DA2ES)                 |
| C1435    | 1-119-822-11 | ELECT        | 3.3uF 20% 50V<br>(DB1080: E, SP, MY, KR) | C1617    | 1-127-720-11 | ELECT        | 470uF 20% 16V<br>(DB1080: E, SP, MY, KR) |
| C1435    | 1-126-962-11 | ELECT        | 3.3uF 20% 50V<br>(DA2ES)                 | C1617    | 1-135-711-11 | ELECT        | 470uF 16V<br>(DB1080: AEP, UK)           |
| C1435    | 1-135-741-11 | ELECT        | 3.3uF 50V<br>(DB1080: AEP, UK)           | C1618    | 1-165-319-11 | CERAMIC CHIP | 0.1uF 50V                                |
| C1436    | 1-126-947-11 | ELECT        | 47uF 20% 16V                             | C1619    | 1-165-319-11 | CERAMIC CHIP | 0.1uF 50V                                |
| C1501    | 1-165-319-11 | CERAMIC CHIP | 0.1uF 50V                                | C1701    | 1-165-319-11 | CERAMIC CHIP | 0.1uF 50V                                |
| C1502    | 1-165-319-11 | CERAMIC CHIP | 0.1uF 50V                                | C1702    | 1-163-125-00 | CERAMIC CHIP | 220PF 5% 50V                             |
| C1503    | 1-165-319-11 | CERAMIC CHIP | 0.1uF 50V                                | C1703    | 1-163-021-11 | CERAMIC CHIP | 0.01uF 10% 50V                           |
| C1504    | 1-165-319-11 | CERAMIC CHIP | 0.1uF 50V                                | C1705    | 1-165-319-11 | CERAMIC CHIP | 0.1uF 50V                                |
| C1505    | 1-165-319-11 | CERAMIC CHIP | 0.1uF 50V                                | C1706    | 1-165-319-11 | CERAMIC CHIP | 0.1uF 50V                                |
| C1506    | 1-165-319-11 | CERAMIC CHIP | 0.1uF 50V                                | C1707    | 1-165-319-11 | CERAMIC CHIP | 0.1uF 50V                                |
| C1507    | 1-165-319-11 | CERAMIC CHIP | 0.1uF 50V                                | C1708    | 1-165-319-11 | CERAMIC CHIP | 0.1uF 50V                                |
| C1510    | 1-165-319-11 | CERAMIC CHIP | 0.1uF 50V                                | C1709    | 1-165-319-11 | CERAMIC CHIP | 0.1uF 50V                                |
| C1511    | 1-165-319-11 | CERAMIC CHIP | 0.1uF 50V                                | C1710    | 1-165-319-11 | CERAMIC CHIP | 0.1uF 50V                                |
| C1512    | 1-165-319-11 | CERAMIC CHIP | 0.1uF 50V                                | C1711    | 1-165-319-11 | CERAMIC CHIP | 0.1uF 50V                                |
| C1513    | 1-126-924-11 | ELECT        | 330uF 20% 10V<br>(DA2ES)                 | C1712    | 1-165-319-11 | CERAMIC CHIP | 0.1uF 50V                                |
| C1513    | 1-128-833-11 | ELECT        | 330uF 10V<br>(DB1080)                    | C1713    | 1-126-947-11 | ELECT        | 47uF 20% 16V                             |
| C1514    | 1-165-319-11 | CERAMIC CHIP | 0.1uF 50V                                | C1714    | 1-165-319-11 | CERAMIC CHIP | 0.1uF 50V                                |
| C1515    | 1-165-319-11 | CERAMIC CHIP | 0.1uF 50V                                | C1715    | 1-165-319-11 | CERAMIC CHIP | 0.1uF 50V                                |
| C1516    | 1-126-935-11 | ELECT        | 470uF 20% 16V<br>(DA2ES)                 | C1716    | 1-165-319-11 | CERAMIC CHIP | 0.1uF 50V                                |
| C1516    | 1-127-720-11 | ELECT        | 470uF 20% 16V<br>(DB1080: E, SP, MY, KR) | C1717    | 1-165-319-11 | CERAMIC CHIP | 0.1uF 50V                                |
| C1516    | 1-135-711-11 | ELECT        | 470uF 16V<br>(DB1080: AEP, UK)           | C1718    | 1-165-319-11 | CERAMIC CHIP | 0.1uF 50V                                |
| C1517    | 1-165-319-11 | CERAMIC CHIP | 0.1uF 50V                                | C1719    | 1-165-319-11 | CERAMIC CHIP | 0.1uF 50V                                |
| C1518    | 1-165-319-11 | CERAMIC CHIP | 0.1uF 50V                                | C1720    | 1-163-021-11 | CERAMIC CHIP | 0.01uF 10% 50V                           |
|          |              |              |  | C1721    | 1-165-319-11 | CERAMIC CHIP | 0.1uF 50V                                |
|          |              |              |  | C1722    | 1-165-319-11 | CERAMIC CHIP | 0.1uF 50V                                |
|          |              |              |  | C1723    | 1-165-319-11 | CERAMIC CHIP | 0.1uF 50V                                |
|          |              |              |  | C1724    | 1-165-319-11 | CERAMIC CHIP | 0.1uF 50V                                |
|          |              |              |  | C1725    | 1-165-319-11 | CERAMIC CHIP | 0.1uF 50V                                |
|          |              |              |  | C1726    | 1-165-319-11 | CERAMIC CHIP | 0.1uF 50V                                |
|          |              |              |  | C1727    | 1-165-319-11 | CERAMIC CHIP | 0.1uF 50V                                |
|          |              |              |  | C1728    | 1-165-319-11 | CERAMIC CHIP | 0.1uF 50V                                |
|          |              |              |  | C1801    | 1-126-935-11 | ELECT        | 470uF 20% 16V                            |

| Ref. No.      | Part No.     | Description                    | Remark                                     | Ref. No.               | Part No.     | Description                                       | Remark |
|---------------|--------------|--------------------------------|--|------------------------|--------------|---|--------|
| C1802         | 1-126-935-11 | ELECT                          | 470uF 20% 16V<br>(DA2ES)                   | CN1105                 | 1-569-060-11 | SOCKET, CONNECTOR 11P<br>(EXCEPT DB1080: AEP, UK) |        |
| C1802         | 1-127-720-11 | ELECT                          | 470uF 20% 16V<br>(DB1080: E, SP, MY, KR)   | CN1105                 | 1-569-321-11 | SOCKET, CONNECTOR 15P (DB1080: AEP, UK)           |        |
| C1802         | 1-135-711-11 | ELECT                          | 470uF 16V<br>(DB1080: AEP, UK)             | CN1106                 | 1-784-924-11 | PIN, CONNECTOR 8P                                 |        |
| C1803         | 1-163-251-11 | CERAMIC CHIP                   | 100PF 5% 50V                               | CN1107                 | 1-784-923-11 | PIN, CONNECTOR 7P                                 |        |
| C1804         | 1-163-251-11 | CERAMIC CHIP                   | 100PF 5% 50V                               | CN1108                 | 1-691-765-11 | PLUG (MICRO CONNECTOR) 3P                         |        |
| C1805         | 1-163-251-11 | CERAMIC CHIP                   | 100PF 5% 50V                               | CN1109                 | 1-564-506-21 | PLUG, CONNECTOR 3P                                |        |
| C1807         | 1-126-935-11 | ELECT                          | 470uF 20% 16V                              | CN1110                 | 1-779-978-11 | PIN, CONNECTOR 3P                                 |        |
| C1808         | 1-126-935-11 | ELECT                          | 470uF 20% 16V                              | < DIODE >              |              |   |        |
| C1809         | 1-126-935-11 | ELECT                          | 470uF 20% 16V<br>(DA2ES)                   | D1401                  | 8-719-988-61 | DIODE 1SS355TE-17                                 |        |
| C1809         | 1-127-720-11 | ELECT                          | 470uF 20% 16V<br>(DB1080: E, SP, MY, KR)   | D1402                  | 8-719-988-61 | DIODE 1SS355TE-17                                 |        |
| C1809         | 1-135-711-11 | ELECT                          | 470uF 16V<br>(DB1080: AEP, UK)             | D1403                  | 8-719-988-61 | DIODE 1SS355TE-17                                 |        |
| C1810         | 1-163-251-11 | CERAMIC CHIP                   | 100PF 5% 50V                               | D1701                  | 8-719-988-61 | DIODE 1SS355TE-17                                 |        |
| C1811         | 1-126-767-11 | ELECT                          | 1000uF 20% 16V<br>(DA2ES)                  | D1702                  | 8-719-988-61 | DIODE 1SS355TE-17                                 |        |
| C1811         | 1-135-712-51 | ELECT                          | 1000uF 63V<br>(DB1080: AEP, UK)            | D1703                  | 8-719-801-78 | DIODE 1SS184                                      |        |
| C1811         | 1-135-835-11 | ELECT                          | 1000uF 16V<br>(DB1080: E, SP, MY, KR)      | D1802                  | 8-719-988-61 | DIODE 1SS355TE-17                                 |        |
| C1812         | 1-126-918-51 | ELECT                          | 4700uF 20% 6.3V<br>(DA2ES)                 | D1803                  | 8-719-053-18 | DIODE 1SR154-400TE-25                             |        |
| C1812         | 1-137-661-11 | ELECT                          | 4700uF 20% 6.3V<br>(DB1080: E, SP, MY, KR) | < TERMINAL >           |              |   |        |
| C1812         | 1-137-661-51 | ELECT                          | 4700uF 6.3V<br>(DB1080: AEP, UK)           | * EB1801               | 1-537-738-21 | TERMINAL, EARTH                                   |        |
| C1814         | 1-163-251-11 | CERAMIC CHIP                   | 100PF 5% 50V                               | < FERRITE BEAD/SHORT > |              |   |        |
| C1815         | 1-126-767-11 | ELECT                          | 1000uF 20% 16V<br>(DA2ES)                  | FB1102                 | 1-469-152-11 | FERRITE 0uH                                       |        |
| C1815         | 1-135-712-51 | ELECT                          | 1000uF 63V<br>(DB1080: AEP, UK)            | FB1201                 | 1-469-152-11 | FERRITE 0uH                                       |        |
| C1815         | 1-135-835-11 | ELECT                          | 1000uF 16V<br>(DB1080: E, SP, MY, KR)      | FB1202                 | 1-469-152-11 | FERRITE 0uH                                       |        |
| C1817         | 1-165-319-11 | CERAMIC CHIP                   | 0.1uF 50V                                  | FB1302                 | 1-469-152-11 | FERRITE 0uH                                       |        |
| C1818         | 1-165-319-11 | CERAMIC CHIP                   | 0.1uF 50V                                  | FB1401                 | 1-469-152-11 | FERRITE 0uH                                       |        |
| C1819         | 1-165-319-11 | CERAMIC CHIP                   | 0.1uF 50V                                  | FB1402                 | 1-216-295-11 | SHORT CHIP 0                                      |        |
| C1820         | 1-165-319-11 | CERAMIC CHIP                   | 0.1uF 50V                                  | FB1403                 | 1-469-152-11 | FERRITE 0uH                                       |        |
| C1824         | 1-163-251-11 | CERAMIC CHIP                   | 100PF 5% 50V                               | FB1404                 | 1-469-152-11 | FERRITE 0uH                                       |        |
| C1825         | 1-163-251-11 | CERAMIC CHIP                   | 100PF 5% 50V                               | FB1405                 | 1-469-139-21 | FERRITE 0uH                                       |        |
| C1826         | 1-163-251-11 | CERAMIC CHIP                   | 100PF 5% 50V                               | FB1406                 | 1-469-144-21 | FERRITE 0uH                                       |        |
| C1827         | 1-163-251-11 | CERAMIC CHIP                   | 100PF 5% 50V                               | FB1407                 | 1-469-144-21 | FERRITE 0uH                                       |        |
| C1828         | 1-165-319-11 | CERAMIC CHIP                   | 0.1uF 50V                                  | FB1408                 | 1-469-152-11 | FERRITE 0uH                                       |        |
| C1829         | 1-165-319-11 | CERAMIC CHIP                   | 0.1uF 50V                                  | FB1501                 | 1-216-295-11 | SHORT CHIP 0                                      |        |
| C1830         | 1-126-935-11 | ELECT                          | 470uF 20% 16V<br>(DA2ES)                   | FB1502                 | 1-469-152-11 | FERRITE 0uH                                       |        |
| C1831         | 1-163-251-11 | CERAMIC CHIP                   | 100PF 5% 50V<br>(DA2ES)                    | FB1601                 | 1-469-139-21 | FERRITE 0uH                                       |        |
| C1832         | 1-165-319-11 | CERAMIC CHIP                   | 0.1uF 50V<br>(DA2ES)                       | FB1602                 | 1-216-295-11 | SHORT CHIP 0                                      |        |
| < CONNECTOR > |              |                                |  | FB1603                 | 1-469-152-11 | FERRITE 0uH                                       |        |
| CN1101        | 1-784-753-11 | CONNECTOR, FFC 31P             |  | FB1604                 | 1-469-144-21 | FERRITE 0uH                                       |        |
| CN1102        | 1-569-815-11 | CONNECTOR, BOARD TO BOARD 21P  |  | FB1703                 | 1-469-152-11 | FERRITE 0uH                                       |        |
| CN1103        | 1-569-815-11 | CONNECTOR, BOARD TO BOARD 21P  |  | FB1801                 | 1-469-152-11 | FERRITE 0uH                                       |        |
| CN1104        | 1-569-324-11 | SOCKET, CONNECTOR 21P (DA2ES)  |  | FB1802                 | 1-469-152-11 | FERRITE 0uH                                       |        |
| CN1104        | 1-569-321-11 | SOCKET, CONNECTOR 15P (DB1080) |  | * FB1803               | 1-469-670-21 | FERRITE 0uH                                       |        |
|               |              |                                |  | < IC >                 |              |   |        |
|               |              |                                |  | IC1101                 | 8-759-560-56 | IC PCM1800E/2K                                    |        |
|               |              |                                |  | IC1102                 | 8-759-636-55 | IC M5218AFP                                       |        |
|               |              |                                |  | IC1201                 | 8-759-825-12 | IC PCM1604Y/2K                                    |        |
|               |              |                                |  | IC1202                 | 8-759-825-13 | IC PCM1748E/2K                                    |        |
|               |              |                                |  | IC1221                 | 8-759-636-55 | IC M5218AFP                                       |        |
|               |              |                                |  | IC1241                 | 8-759-636-55 | IC M5218AFP                                       |        |
|               |              |                                |  | IC1261                 | 8-759-636-55 | IC M5218AFP                                       |        |
|               |              |                                |  | IC1281                 | 8-759-636-55 | IC M5218AFP                                       |        |
|               |              |                                |  | IC1301                 | 8-759-604-32 | IC M5F7810L                                       |        |
|               |              |                                |  | IC1302                 | 8-759-445-59 | IC BA033T (DB1080: AEP, UK)                       |        |

DIGITAL

| Ref. No. | Part No.     | Description   | Remark                    |
|----------|--------------|---|---------------------------|
| IC1401   | 6-600-014-01 | IC TORX141L (DIGITAL (ASSIGNABLE) DVD/LD OPTICAL IN)        |                           |
| IC1402   | 6-600-014-01 | IC TORX141L (DIGITAL (ASSIGNABLE) TV/SAT OPTICAL IN)        |                           |
| IC1403   | 6-600-014-01 | IC TORX141L (DIGITAL (ASSIGNABLE) MD/DAT OPTICAL IN)        |                           |
| IC1404   | 6-600-012-11 | IC TOTX141L (RED) (DIGITAL (ASSIGNABLE) MD/DAT OPTICAL OUT) |                           |
| IC1405   | 8-759-242-70 | IC TC7WU04F   |                           |
| IC1406   | 8-759-926-17 | IC SN74HC153ANS   |                           |
| IC1407   | 8-759-546-74 | IC TC7WH157FU (TE12R)                                       |                           |
| IC1408   | 8-759-825-15 | IC LC89056W-E   |                           |
| IC1409   | 8-759-447-77 | IC TC7WH74FU (TE12R)  |                           |
| IC1410   | 8-759-242-70 | IC TC7WU04F   |                           |
| IC1501   | 6-702-047-01 | IC CXD9718Q   |                           |
| IC1503   | 8-759-546-74 | IC TC7WH157FU (TE12R)                                       |                           |
| IC1601   | 6-702-092-01 | IC CXD9616BR  |                           |
| IC1602   | 8-759-538-16 | IC IDT71V016S15PH-AUTL                                      |                           |
| IC1701   | 8-759-641-86 | IC BR24C16F-E2  |                           |
| IC1702   | 6-702+913-01 | IC S-80929CNMC-G8Z-T2                                       |                           |
| IC1703   | 6-801-434-01 | IC MB91154PFV-G-108-BNDE1                                   |                           |
| IC1801   | 8-759-450-47 | IC BA05T  |                           |
| IC1802   | 8-759-445-59 | IC BA033T   |                           |
| IC1803   | 8-759-450-47 | IC BA05T  |                           |
| IC1804   | 8-759-445-59 | IC BA033T   |                           |
| IC1805   | 6-700-798-11 | IC uPC2926T-1-E1  |                           |
| IC1806   | 8-759-445-59 | IC BA033T   |                           |
| IC1807   | 8-759-231-53 | IC TA7805S  |                           |
| IC1808   | 8-759-231-53 | IC TA7805S  |                           |
| IC1809   | 8-759-604-86 | IC M5F7807L (DA2ES)   |                           |
|          |              | < JACK >  |                           |
| J1401    | 1-778-228-11 | JACK, PIN 1P (DIGITAL (ASSIGNABLE) DVD/LD COAXIAL IN)       |                           |
|          |              | < SHORT >   |                           |
| JW1001   | 1-211-950-11 | SHORT CHIP  | 0                         |
| JW1002   | 1-216-296-11 | SHORT CHIP  | 0                         |
| JW1003   | 1-216-296-11 | SHORT CHIP  | 0                         |
| JW1004   | 1-216-296-11 | SHORT CHIP  | 0                         |
| JW1005   | 1-216-296-11 | SHORT CHIP  | 0                         |
| JW1006   | 1-216-296-11 | SHORT CHIP  | 0                         |
| JW1007   | 1-216-295-11 | SHORT CHIP  | 0                         |
| JW1008   | 1-216-296-11 | SHORT CHIP  | 0                         |
| JW1009   | 1-211-950-11 | SHORT CHIP  | 0                         |
| JW1010   | 1-216-295-11 | SHORT CHIP  | 0                         |
| JW1011   | 1-216-296-11 | SHORT CHIP  | 0                         |
| JW1101   | 1-216-295-11 | SHORT CHIP  | 0(EXCEPT DB1080: AEP, UK) |
| JW1102   | 1-216-295-11 | SHORT CHIP  | 0(EXCEPT DB1080: AEP, UK) |
| JW1103   | 1-216-295-11 | SHORT CHIP  | 0(EXCEPT DB1080: AEP, UK) |
| JW1104   | 1-216-295-11 | SHORT CHIP  | 0 (DB1080)                |
| JW1105   | 1-216-295-11 | SHORT CHIP  | 0 (DB1080)                |
| JW1110   | 1-216-295-11 | SHORT CHIP  | 0                         |
| JW1301   | 1-216-295-11 | SHORT CHIP  | 0(EXCEPT DB1080: AEP, UK) |
| JW1813   | 1-216-295-11 | SHORT CHIP  | 0                         |

| Ref. No. | Part No.     | Description    | Remark                                 |
|----------|--------------|----------------|--|
|          |              | < TRANSISTOR > |  |
| Q1403    | 8-729-027-43 | TRANSISTOR     | DTC114EKA-T146                         |
| Q1404    | 8-729-027-43 | TRANSISTOR     | DTC114EKA-T146                         |
| Q1701    | 8-729-230-49 | TRANSISTOR     | 2SC2712-YG                             |
| Q1702    | 8-729-230-49 | TRANSISTOR     | 2SC2712-YG                             |
| Q1703    | 8-729-027-43 | TRANSISTOR     | DTC114EKA-T146                         |
| Q1704    | 8-729-230-49 | TRANSISTOR     | 2SC2712-YG                             |
| Q1705    | 8-729-230-49 | TRANSISTOR     | 2SC2712-YG                             |
| Q1801    | 8-729-140-93 | TRANSISTOR     | 2SB733-34                              |
| Q1802    | 8-729-027-43 | TRANSISTOR     | DTC114EKA-T146                         |
| Q1803    | 8-729-140-93 | TRANSISTOR     | 2SB733-34                              |
| Q1804    | 8-729-027-43 | TRANSISTOR     | DTC114EKA-T146                         |
| Q1805    | 8-729-140-93 | TRANSISTOR     | 2SB733-34 (DA2ES)                      |
| Q1806    | 8-729-027-43 | TRANSISTOR     | DTC114EKA-T146 (DA2ES)                 |
| Q1810    | 8-729-209-15 | TRANSISTOR     | 2SD2012                                |
| Q1811    | 8-729-140-93 | TRANSISTOR     | 2SB733-34                              |
| Q1812    | 8-729-027-43 | TRANSISTOR     | DTC114EKA-T146                         |
|          |              | < RESISTOR >   |  |
| R1101    | 1-216-049-11 | RES-CHIP       | 1K 5% 1/10W                            |
| R1102    | 1-216-057-00 | METAL CHIP     | 2.2K 5% 1/10W                          |
| R1121    | 1-216-085-00 | RES-CHIP       | 33K 5% 1/10W                           |
| R1122    | 1-216-085-00 | RES-CHIP       | 33K 5% 1/10W                           |
| R1124    | 1-216-097-11 | RES-CHIP       | 100K 5% 1/10W                          |
| R1131    | 1-216-085-00 | RES-CHIP       | 33K 5% 1/10W                           |
| R1132    | 1-216-085-00 | RES-CHIP       | 33K 5% 1/10W                           |
| R1134    | 1-216-097-11 | RES-CHIP       | 100K 5% 1/10W                          |
| R1201    | 1-216-025-11 | RES-CHIP       | 100 5% 1/10W                           |
| R1202    | 1-216-025-11 | RES-CHIP       | 100 5% 1/10W                           |
| R1203    | 1-216-025-11 | RES-CHIP       | 100 5% 1/10W                           |
| R1204    | 1-216-073-00 | RES-CHIP       | 10K 5% 1/10W                           |
| R1205    | 1-216-025-11 | RES-CHIP       | 100 5% 1/10W                           |
| R1206    | 1-216-025-11 | RES-CHIP       | 100 5% 1/10W                           |
| R1212    | 1-216-025-11 | RES-CHIP       | 100 5% 1/10W                           |
| R1220    | 1-216-071-00 | METAL CHIP     | 8.2K 5% 1/10W (EXCEPT DB1080: AEP, UK) |
| R1220    | 1-216-673-11 | METAL CHIP     | 8.2K 0.5% 1/10W (DB1080: AEP, UK)      |
| R1221    | 1-216-053-00 | METAL CHIP     | 1.5K 5% 1/10W (EXCEPT DB1080: AEP, UK) |
| R1221    | 1-216-655-11 | METAL CHIP     | 1.5K 0.5% 1/10W (DB1080: AEP, UK)      |
| R1222    | 1-208-518-41 | RES-CHIP       | 22K 2% 1/10W (DB1080: AEP, UK)         |
| R1222    | 1-216-081-00 | METAL CHIP     | 22K 5% 1/10W (EXCEPT DB1080: AEP, UK)  |
| R1223    | 1-216-033-00 | METAL CHIP     | 220 5% 1/10W (EXCEPT DB1080: AEP, UK)  |
| R1223    | 1-216-635-11 | METAL CHIP     | 220 0.5% 1/10W (DB1080: AEP, UK)       |
| R1224    | 1-216-097-11 | RES-CHIP       | 100K 5% 1/10W (EXCEPT DB1080: AEP, UK) |
| R1224    | 1-216-699-11 | METAL CHIP     | 100K 0.5% 1/10W (DB1080: AEP, UK)      |
| R1230    | 1-216-071-00 | METAL CHIP     | 8.2K 5% 1/10W (EXCEPT DB1080: AEP, UK) |
| R1230    | 1-216-673-11 | METAL CHIP     | 8.2K 0.5% 1/10W (DB1080: AEP, UK)      |



DIGITAL

| Ref. No. | Part No.     | Description | Remark                                    | Ref. No. | Part No.     | Description | Remark                                    |
|----------|--------------|-------------|---|----------|--------------|-------------|---|
| R1231    | 1-216-053-00 | METAL CHIP  | 1.5K 5% 1/10W<br>(EXCEPT DB1080: AEP, UK) | R1261    | 1-216-655-11 | METAL CHIP  | 1.5K 0.5% 1/10W<br>(DB1080: AEP, UK)      |
| R1231    | 1-216-655-11 | METAL CHIP  | 1.5K 0.5% 1/10W<br>(DB1080: AEP, UK)      | R1262    | 1-208-518-41 | RES-CHIP    | 22K 2% 1/10W<br>(DB1080: AEP, UK)         |
| R1232    | 1-208-518-41 | RES-CHIP    | 22K 2% 1/10W<br>(DB1080: AEP, UK)         | R1262    | 1-216-081-00 | METAL CHIP  | 22K 5% 1/10W<br>(EXCEPT DB1080: AEP, UK)  |
| R1232    | 1-216-081-00 | METAL CHIP  | 22K 5% 1/10W<br>(EXCEPT DB1080: AEP, UK)  | R1263    | 1-216-033-00 | METAL CHIP  | 220 5% 1/10W<br>(EXCEPT DB1080: AEP, UK)  |
| R1233    | 1-216-033-00 | METAL CHIP  | 220 5% 1/10W<br>(EXCEPT DB1080: AEP, UK)  | R1263    | 1-216-635-11 | METAL CHIP  | 220 0.5% 1/10W<br>(DB1080: AEP, UK)       |
| R1233    | 1-216-635-11 | METAL CHIP  | 220 0.5% 1/10W<br>(DB1080: AEP, UK)       | R1264    | 1-216-097-11 | RES-CHIP    | 100K 5% 1/10W<br>(EXCEPT DB1080: AEP, UK) |
| R1234    | 1-216-097-11 | RES-CHIP    | 100K 5% 1/10W<br>(EXCEPT DB1080: AEP, UK) | R1264    | 1-216-699-11 | METAL CHIP  | 100K 0.5% 1/10W<br>(DB1080: AEP, UK)      |
| R1234    | 1-216-699-11 | METAL CHIP  | 100K 0.5% 1/10W<br>(DB1080: AEP, UK)      | R1270    | 1-216-071-00 | METAL CHIP  | 8.2K 5% 1/10W<br>(EXCEPT DB1080: AEP, UK) |
| R1240    | 1-216-071-00 | METAL CHIP  | 8.2K 5% 1/10W<br>(EXCEPT DB1080: AEP, UK) | R1270    | 1-216-673-11 | METAL CHIP  | 8.2K 0.5% 1/10W<br>(DB1080: AEP, UK)      |
| R1240    | 1-216-673-11 | METAL CHIP  | 8.2K 0.5% 1/10W<br>(DB1080: AEP, UK)      | R1271    | 1-216-053-00 | METAL CHIP  | 1.5K 5% 1/10W<br>(EXCEPT DB1080: AEP, UK) |
| R1241    | 1-216-053-00 | METAL CHIP  | 1.5K 5% 1/10W<br>(EXCEPT DB1080: AEP, UK) | R1271    | 1-216-655-11 | METAL CHIP  | 1.5K 0.5% 1/10W<br>(DB1080: AEP, UK)      |
| R1241    | 1-216-655-11 | METAL CHIP  | 1.5K 0.5% 1/10W<br>(DB1080: AEP, UK)      | R1272    | 1-208-518-41 | RES-CHIP    | 22K 2% 1/10W<br>(DB1080: AEP, UK)         |
| R1242    | 1-208-518-41 | RES-CHIP    | 22K 2% 1/10W<br>(DB1080: AEP, UK)         | R1272    | 1-216-081-00 | METAL CHIP  | 22K 5% 1/10W<br>(EXCEPT DB1080: AEP, UK)  |
| R1242    | 1-216-081-00 | METAL CHIP  | 22K 5% 1/10W<br>(EXCEPT DB1080: AEP, UK)  | R1273    | 1-216-033-00 | METAL CHIP  | 220 5% 1/10W<br>(EXCEPT DB1080: AEP, UK)  |
| R1243    | 1-216-033-00 | METAL CHIP  | 220 5% 1/10W<br>(EXCEPT DB1080: AEP, UK)  | R1273    | 1-216-635-11 | METAL CHIP  | 220 0.5% 1/10W<br>(DB1080: AEP, UK)       |
| R1243    | 1-216-635-11 | METAL CHIP  | 220 0.5% 1/10W<br>(DB1080: AEP, UK)       | R1274    | 1-216-097-11 | RES-CHIP    | 100K 5% 1/10W<br>(EXCEPT DB1080: AEP, UK) |
| R1244    | 1-216-097-11 | RES-CHIP    | 100K 5% 1/10W<br>(EXCEPT DB1080: AEP, UK) | R1274    | 1-216-699-11 | METAL CHIP  | 100K 0.5% 1/10W<br>(DB1080: AEP, UK)      |
| R1244    | 1-216-699-11 | METAL CHIP  | 100K 0.5% 1/10W<br>(DB1080: AEP, UK)      | R1280    | 1-216-071-00 | METAL CHIP  | 8.2K 5% 1/10W<br>(EXCEPT DB1080: AEP, UK) |
| R1250    | 1-216-071-00 | METAL CHIP  | 8.2K 5% 1/10W<br>(EXCEPT DB1080: AEP, UK) | R1280    | 1-216-673-11 | METAL CHIP  | 8.2K 0.5% 1/10W<br>(DB1080: AEP, UK)      |
| R1250    | 1-216-673-11 | METAL CHIP  | 8.2K 0.5% 1/10W<br>(DB1080: AEP, UK)      | R1281    | 1-216-053-00 | METAL CHIP  | 1.5K 5% 1/10W<br>(EXCEPT DB1080: AEP, UK) |
| R1251    | 1-216-053-00 | METAL CHIP  | 1.5K 5% 1/10W<br>(EXCEPT DB1080: AEP, UK) | R1281    | 1-216-655-11 | METAL CHIP  | 1.5K 0.5% 1/10W<br>(DB1080: AEP, UK)      |
| R1251    | 1-216-655-11 | METAL CHIP  | 1.5K 0.5% 1/10W<br>(DB1080: AEP, UK)      | R1282    | 1-208-518-41 | RES-CHIP    | 22K 2% 1/10W<br>(DB1080: AEP, UK)         |
| R1252    | 1-208-518-41 | RES-CHIP    | 22K 2% 1/10W<br>(DB1080: AEP, UK)         | R1282    | 1-216-081-00 | METAL CHIP  | 22K 5% 1/10W<br>EXCEPT DB1080: AEP, UK    |
| R1252    | 1-216-081-00 | METAL CHIP  | 22K 5% 1/10W<br>(EXCEPT DB1080: AEP, UK)  | R1283    | 1-216-033-00 | METAL CHIP  | 220 5% 1/10W<br>(EXCEPT DB1080: AEP, UK)  |
| R1253    | 1-216-033-00 | METAL CHIP  | 220 5% 1/10W<br>(EXCEPT DB1080: AEP, UK)  | R1283    | 1-216-635-11 | METAL CHIP  | 220 0.5% 1/10W<br>DB1080: AEP, UK)        |
| R1253    | 1-216-635-11 | METAL CHIP  | 220 0.5% 1/10W<br>(DB1080: AEP, UK)       | R1284    | 1-216-097-11 | RES-CHIP    | 100K 5% 1/10W<br>(EXCEPT DB1080: AEP, UK) |
| R1254    | 1-216-097-11 | RES-CHIP    | 100K 5% 1/10W<br>(EXCEPT DB1080: AEP, UK) | R1284    | 1-216-699-11 | METAL CHIP  | 100K 0.5% 1/10W<br>(DB1080: AEP, UK)      |
| R1254    | 1-216-699-11 | METAL CHIP  | 100K 0.5% 1/10W<br>(DB1080: AEP, UK)      | R1301    | 1-216-298-00 | METAL CHIP  | 2.2 5% 1/10W                              |
| R1260    | 1-216-071-00 | METAL CHIP  | 8.2K 5% 1/10W<br>(EXCEPT DB1080: AEP, UK) | R1303    | 1-216-089-11 | RES-CHIP    | 47K 5% 1/10W                              |
| R1260    | 1-216-673-11 | METAL CHIP  | 8.2K 0.5% 1/10W<br>(DB1080: AEP, UK)      | R1304    | 1-216-089-11 | RES-CHIP    | 47K 5% 1/10W                              |
| R1261    | 1-216-053-00 | METAL CHIP  | 1.5K 5% 1/10W<br>(EXCEPT DB1080: AEP, UK) | R1308    | 1-216-025-11 | RES-CHIP    | 100 5% 1/10W<br>(DB1080: AEP, UK)         |
|          |              |             |   | R1401    | 1-216-022-00 | METAL CHIP  | 75 5% 1/10W                               |
|          |              |             |   | R1402    | 1-216-295-11 | SHORT CHIP  | 0   |
|          |              |             |   | R1403    | 1-216-041-00 | METAL CHIP  | 470 5% 1/10W                              |

# STR-DA2ES/DB1080

## DIGITAL

| Ref. No. | Part No.     | Description | Quantity | Unit | Remark   | Ref. No. | Part No.     | Description | Quantity | Unit | Remark  |
|----------|--------------|-------------|----------|------|----------|----------|--------------|-------------|----------|------|---------|
| R1404    | 1-216-113-00 | METAL CHIP  | 470K     |      | 5% 1/10W | R1655    | 1-216-025-11 | RES-CHIP    | 100      | 5%   | 1/10W   |
| R1405    | 1-216-295-11 | SHORT CHIP  | 0        |      |          | R1656    | 1-216-025-11 | RES-CHIP    | 100      | 5%   | 1/10W   |
| R1406    | 1-216-295-11 | SHORT CHIP  | 0        |      |          | R1657    | 1-216-025-11 | RES-CHIP    | 100      | 5%   | 1/10W   |
| R1407    | 1-216-295-11 | SHORT CHIP  | 0        |      |          | R1666    | 1-216-025-11 | RES-CHIP    | 100      | 5%   | 1/10W   |
| R1408    | 1-216-295-11 | SHORT CHIP  | 0        |      |          | R1667    | 1-216-295-11 | SHORT CHIP  | 0        |      |         |
| R1409    | 1-216-089-11 | RES-CHIP    | 47K      |      | 5% 1/10W | R1701    | 1-216-073-00 | RES-CHIP    | 10K      | 5%   | 1/10W   |
| R1410    | 1-216-089-11 | RES-CHIP    | 47K      |      | 5% 1/10W | R1702    | 1-216-073-00 | RES-CHIP    | 10K      | 5%   | 1/10W   |
| R1411    | 1-216-304-11 | METAL CHIP  | 3.3      |      | 5% 1/10W | R1703    | 1-216-001-00 | METAL CHIP  | 10       | 5%   | 1/10W   |
| R1412    | 1-216-067-00 | METAL CHIP  | 5.6K     |      | 5% 1/10W | R1704    | 1-216-073-00 | RES-CHIP    | 10K      | 5%   | 1/10W   |
| R1413    | 1-216-069-00 | METAL CHIP  | 6.8K     |      | 5% 1/10W | R1705    | 1-216-025-11 | RES-CHIP    | 100      | 5%   | 1/10W   |
| R1418    | 1-216-025-11 | RES-CHIP    | 100      |      | 5% 1/10W | R1706    | 1-216-073-00 | RES-CHIP    | 10K      | 5%   | 1/10W   |
| R1419    | 1-216-073-00 | RES-CHIP    | 10K      |      | 5% 1/10W | R1707    | 1-216-065-00 | RES-CHIP    | 4.7K     | 5%   | 1/10W   |
| R1420    | 1-216-073-00 | RES-CHIP    | 10K      |      | 5% 1/10W | R1708    | 1-216-025-11 | RES-CHIP    | 100      | 5%   | 1/10W   |
| R1421    | 1-216-025-11 | RES-CHIP    | 100      |      | 5% 1/10W | R1709    | 1-216-025-11 | RES-CHIP    | 100      | 5%   | 1/10W   |
| R1422    | 1-216-025-11 | RES-CHIP    | 100      |      | 5% 1/10W | R1710    | 1-216-025-11 | RES-CHIP    | 100      | 5%   | 1/10W   |
| R1423    | 1-216-049-11 | RES-CHIP    | 1K       |      | 5% 1/10W | R1711    | 1-216-025-11 | RES-CHIP    | 100      | 5%   | 1/10W   |
| R1424    | 1-216-121-11 | RES-CHIP    | 1M       |      | 5% 1/10W | R1712    | 1-216-025-11 | RES-CHIP    | 100      | 5%   | 1/10W   |
| R1425    | 1-216-049-11 | RES-CHIP    | 1K       |      | 5% 1/10W | R1713    | 1-216-025-11 | RES-CHIP    | 100      | 5%   | 1/10W   |
| R1426    | 1-216-025-11 | RES-CHIP    | 100      |      | 5% 1/10W | R1714    | 1-216-025-11 | RES-CHIP    | 100      | 5%   | 1/10W   |
| R1427    | 1-216-089-11 | RES-CHIP    | 47K      |      | 5% 1/10W | R1715    | 1-216-025-11 | RES-CHIP    | 100      | 5%   | 1/10W   |
| R1428    | 1-216-065-00 | RES-CHIP    | 4.7K     |      | 5% 1/10W | R1716    | 1-216-025-11 | RES-CHIP    | 100      | 5%   | 1/10W   |
| R1429    | 1-216-295-11 | SHORT CHIP  | 0        |      |          | R1718    | 1-216-025-11 | RES-CHIP    | 100      | 5%   | 1/10W   |
| R1430    | 1-216-025-11 | RES-CHIP    | 100      |      | 5% 1/10W | R1719    | 1-216-025-11 | RES-CHIP    | 100      | 5%   | 1/10W   |
| R1431    | 1-216-121-11 | RES-CHIP    | 1M       |      | 5% 1/10W | R1720    | 1-216-025-11 | RES-CHIP    | 100      | 5%   | 1/10W   |
| R1432    | 1-216-025-11 | RES-CHIP    | 100      |      | 5% 1/10W | R1721    | 1-216-061-00 | RES-CHIP    | 3.3K     | 5%   | 1/10W   |
| R1433    | 1-216-029-00 | METAL CHIP  | 150      |      | 5% 1/10W | R1722    | 1-216-025-11 | RES-CHIP    | 100      | 5%   | 1/10W   |
| R1434    | 1-216-025-11 | RES-CHIP    | 100      |      | 5% 1/10W | R1723    | 1-216-025-11 | RES-CHIP    | 100      | 5%   | 1/10W   |
| R1435    | 1-216-025-11 | RES-CHIP    | 100      |      | 5% 1/10W | R1724    | 1-216-025-11 | RES-CHIP    | 100      | 5%   | 1/10W   |
| R1436    | 1-216-025-11 | RES-CHIP    | 100      |      | 5% 1/10W | R1725    | 1-216-025-11 | RES-CHIP    | 100      | 5%   | 1/10W   |
| R1437    | 1-216-033-00 | METAL CHIP  | 220      |      | 5% 1/10W | R1726    | 1-216-025-11 | RES-CHIP    | 100      | 5%   | 1/10W   |
| R1438    | 1-216-097-11 | RES-CHIP    | 100K     |      | 5% 1/10W | R1727    | 1-216-053-00 | METAL CHIP  | 1.5K     | 5%   | 1/10W   |
| R1439    | 1-216-073-00 | RES-CHIP    | 10K      |      | 5% 1/10W | R1730    | 1-216-025-11 | RES-CHIP    | 100      | 5%   | 1/10W   |
| R1501    | 1-216-025-11 | RES-CHIP    | 100      |      | 5% 1/10W | R1731    | 1-216-025-11 | RES-CHIP    | 100      | 5%   | 1/10W   |
| R1502    | 1-216-025-11 | RES-CHIP    | 100      |      | 5% 1/10W | R1732    | 1-216-025-11 | RES-CHIP    | 100      | 5%   | 1/10W   |
| R1503    | 1-216-025-11 | RES-CHIP    | 100      |      | 5% 1/10W | R1733    | 1-216-025-11 | RES-CHIP    | 100      | 5%   | 1/10W   |
| R1504    | 1-216-025-11 | RES-CHIP    | 100      |      | 5% 1/10W | R1734    | 1-216-073-00 | RES-CHIP    | 10K      | 5%   | 1/10W   |
| R1505    | 1-216-025-11 | RES-CHIP    | 100      |      | 5% 1/10W | R1735    | 1-216-073-00 | RES-CHIP    | 10K      | 5%   | 1/10W   |
| R1506    | 1-216-025-11 | RES-CHIP    | 100      |      | 5% 1/10W | R1736    | 1-216-097-11 | RES-CHIP    | 100K     | 5%   | 1/10W   |
| R1507    | 1-216-025-11 | RES-CHIP    | 100      |      | 5% 1/10W | R1737    | 1-216-097-11 | RES-CHIP    | 100K     | 5%   | 1/10W   |
| R1508    | 1-216-049-11 | RES-CHIP    | 1K       |      | 5% 1/10W | R1738    | 1-216-097-11 | RES-CHIP    | 100K     | 5%   | 1/10W   |
| R1509    | 1-216-295-11 | SHORT CHIP  | 0        |      |          | R1739    | 1-216-025-11 | RES-CHIP    | 100      | 5%   | 1/10W   |
| R1510    | 1-216-025-11 | RES-CHIP    | 100      |      | 5% 1/10W | R1740    | 1-216-025-11 | RES-CHIP    | 100      | 5%   | 1/10W   |
| R1511    | 1-216-025-11 | RES-CHIP    | 100      |      | 5% 1/10W | R1741    | 1-216-073-00 | RES-CHIP    | 10K      | 5%   | 1/10W   |
| R1512    | 1-216-025-11 | RES-CHIP    | 100      |      | 5% 1/10W | R1742    | 1-216-033-00 | METAL CHIP  | 220      | 5%   | 1/10W   |
| R1515    | 1-216-049-11 | RES-CHIP    | 1K       |      | 5% 1/10W | R1743    | 1-216-025-11 | RES-CHIP    | 100      | 5%   | 1/10W   |
| R1602    | 1-216-025-11 | RES-CHIP    | 100      |      | 5% 1/10W | R1744    | 1-216-025-11 | RES-CHIP    | 100      | 5%   | 1/10W   |
| R1603    | 1-216-049-11 | RES-CHIP    | 1K       |      | 5% 1/10W | R1745    | 1-216-025-11 | RES-CHIP    | 100      | 5%   | 1/10W   |
| R1605    | 1-216-025-11 | RES-CHIP    | 100      |      | 5% 1/10W | R1746    | 1-216-025-11 | RES-CHIP    | 100      | 5%   | 1/10W   |
| R1606    | 1-216-065-00 | RES-CHIP    | 4.7K     |      | 5% 1/10W |          |              |             |          |      | (DA2ES) |
| R1607    | 1-216-025-11 | RES-CHIP    | 100      |      | 5% 1/10W |          |              |             |          |      | (DA2ES) |
| R1608    | 1-216-295-11 | SHORT CHIP  | 0        |      |          | R1747    | 1-216-025-11 | RES-CHIP    | 100      | 5%   | 1/10W   |
| R1610    | 1-216-025-11 | RES-CHIP    | 100      |      | 5% 1/10W | R1748    | 1-216-025-11 | RES-CHIP    | 100      | 5%   | 1/10W   |
| R1611    | 1-216-025-11 | RES-CHIP    | 100      |      | 5% 1/10W |          |              |             |          |      | (DA2ES) |
| R1612    | 1-216-033-00 | METAL CHIP  | 220      |      | 5% 1/10W | R1749    | 1-216-025-11 | RES-CHIP    | 100      | 5%   | 1/10W   |
| R1650    | 1-216-025-11 | RES-CHIP    | 100      |      | 5% 1/10W | R1750    | 1-216-025-11 | RES-CHIP    | 100      | 5%   | 1/10W   |
| R1651    | 1-216-025-11 | RES-CHIP    | 100      |      | 5% 1/10W | R1751    | 1-216-073-00 | RES-CHIP    | 10K      | 5%   | 1/10W   |
| R1653    | 1-216-025-11 | RES-CHIP    | 100      |      | 5% 1/10W | R1752    | 1-216-073-00 | RES-CHIP    | 10K      | 5%   | 1/10W   |
| R1654    | 1-216-025-11 | RES-CHIP    | 100      |      | 5% 1/10W | R1753    | 1-216-073-00 | RES-CHIP    | 10K      | 5%   | 1/10W   |

DIGITAL

DISPLAY

| Ref. No. | Part No.     | Description | Remark                                    | Ref. No. | Part No.     | Description                          | Remark                            |
|----------|--------------|-------------|---|----------|--------------|--------------------------------------|-----------------------------------|
| R1754    | 1-216-073-00 | RES-CHIP    | 10K 5% 1/10W                              | R1805    | 1-216-045-00 | METAL CHIP                           | 680 5% 1/10W                      |
| R1755    | 1-216-025-11 | RES-CHIP    | 100 5% 1/10W                              | R1806    | 1-216-073-00 | RES-CHIP                             | 10K 5% 1/10W                      |
| R1757    | 1-216-295-11 | SHORT CHIP  | 0   | R1809    | 1-216-073-00 | RES-CHIP                             | 10K 5% 1/10W                      |
| R1758    | 1-216-073-00 | RES-CHIP    | 10K 5% 1/10W                              | R1810    | 1-216-073-00 | RES-CHIP                             | 10K 5% 1/10W                      |
| R1759    | 1-216-057-00 | METAL CHIP  | 2.2K 5% 1/10W<br>(DB1080: E)              | R1811    | 1-216-295-11 | SHORT CHIP                           | 0 (DB1080)                        |
| R1759    | 1-216-073-00 | RES-CHIP    | 10K 5% 1/10W<br>(DB1080: SP, MY)          | R1812    | 1-216-295-11 | SHORT CHIP                           | 0                                 |
| R1759    | 1-216-081-00 | METAL CHIP  | 22K 5% 1/10W<br>(DB1080: KR)              | R1813    | 1-216-033-00 | METAL CHIP                           | 220 5% 1/10W<br>(DB1080: AEP, UK) |
| R1759    | 1-216-295-11 | SHORT CHIP  | 0 (DB1080: AEP, UK)                       | R1814    | 1-216-295-11 | SHORT CHIP                           | 0                                 |
| R1760    | 1-216-073-00 | RES-CHIP    | 10K 5% 1/10W                              | R1815    | 1-216-025-11 | RES-CHIP                             | 100 5% 1/10W                      |
| R1761    | 1-216-073-00 | RES-CHIP    | 10K 5% 1/10W                              | R1816    | 1-216-073-00 | RES-CHIP                             | 10K 5% 1/10W                      |
| R1762    | 1-216-073-00 | RES-CHIP    | 10K 5% 1/10W                              | R1817    | 1-216-025-11 | RES-CHIP                             | 100 5% 1/10W                      |
| R1763    | 1-216-073-00 | RES-CHIP    | 10K 5% 1/10W                              | R1819    | 1-216-025-11 | RES-CHIP                             | 100 5% 1/10W                      |
| R1764    | 1-216-073-00 | RES-CHIP    | 10K 5% 1/10W                              | R1820    | 1-216-025-11 | RES-CHIP                             | 100 5% 1/10W                      |
| R1765    | 1-216-049-11 | RES-CHIP    | 1K 5% 1/10W                               | R1822    | 1-216-025-11 | RES-CHIP                             | 100 5% 1/10W                      |
| R1766    | 1-216-025-11 | RES-CHIP    | 100 5% 1/10W                              | R1823    | 1-216-025-11 | RES-CHIP                             | 100 5% 1/10W                      |
| R1767    | 1-216-049-11 | RES-CHIP    | 1K 5% 1/10W<br>(DB1080: AEP, UK)          | R1824    | 1-216-025-11 | RES-CHIP                             | 100 5% 1/10W                      |
| R1768    | 1-216-025-11 | RES-CHIP    | 100 5% 1/10W                              | R1825    | 1-216-025-11 | RES-CHIP                             | 100 5% 1/10W                      |
| R1769    | 1-216-077-00 | RES-CHIP    | 15K 5% 1/10W<br>(EXCEPT DA2ES/DB1080: KR) | R1826    | 1-216-073-00 | RES-CHIP                             | 10K 5% 1/10W                      |
| R1770    | 1-216-081-00 | METAL CHIP  | 22K 5% 1/10W                              | R1827    | 1-216-025-11 | RES-CHIP                             | 100 5% 1/10W                      |
| R1771    | 1-216-073-00 | RES-CHIP    | 10K 5% 1/10W                              | R1828    | 1-216-025-11 | RES-CHIP                             | 100 5% 1/10W                      |
| R1772    | 1-216-033-00 | METAL CHIP  | 220 5% 1/10W                              | R1829    | 1-216-073-00 | RES-CHIP                             | 10K 5% 1/10W<br>(DA2ES)           |
| R1773    | 1-216-025-11 | RES-CHIP    | 100 5% 1/10W                              | R1830    | 1-216-045-00 | METAL CHIP                           | 680 5% 1/10W<br>(DA2ES)           |
| R1774    | 1-216-033-00 | METAL CHIP  | 220 5% 1/10W                              | R1831    | 1-216-073-00 | RES-CHIP                             | 10K 5% 1/10W                      |
| R1775    | 1-216-025-11 | RES-CHIP    | 100 5% 1/10W                              |          |              | < VIBRATOR >                         |                                   |
| R1776    | 1-216-025-11 | RES-CHIP    | 100 5% 1/10W                              | X1401    | 1-795-219-21 | VIBRATOR, CRYSTAL (24.576MHz)        |                                   |
| R1777    | 1-216-025-11 | RES-CHIP    | 100 5% 1/10W                              | X1501    | 1-795-711-11 | VIBRATOR, CRYSTAL (12.886MHz)        |                                   |
| R1778    | 1-216-033-00 | METAL CHIP  | 220 5% 1/10W                              | X1601    | 1-795-264-21 | VIBRATOR, CERAMIC (13.5MHz)          |                                   |
| R1779    | 1-216-025-11 | RES-CHIP    | 100 5% 1/10W                              | X1701    | 1-795-179-21 | VIBRATOR, CERAMIC (16.5MHz)          |                                   |
| R1780    | 1-216-025-11 | RES-CHIP    | 100 5% 1/10W                              |          |              | *****                                |                                   |
| R1781    | 1-216-073-00 | RES-CHIP    | 10K 5% 1/10W                              |          |              | A-4728-472-A DISPLAY BOARD, COMPLETE |                                   |
| R1782    | 1-216-073-00 | RES-CHIP    | 10K 5% 1/10W                              |          |              | *****                                |                                   |
| R1783    | 1-216-073-00 | RES-CHIP    | 10K 5% 1/10W                              | *        | 4-921-941-01 | CUSHION (FL)                         |                                   |
| R1784    | 1-216-073-00 | RES-CHIP    | 10K 5% 1/10W                              | *        | 4-990-797-01 | HOLDER (FL)                          |                                   |
| R1785    | 1-216-073-00 | RES-CHIP    | 10K 5% 1/10W                              |          |              | < CAPACITOR >                        |                                   |
| R1786    | 1-216-073-00 | RES-CHIP    | 10K 5% 1/10W                              | C1001    | 1-126-967-11 | ELECT                                | 47uF 20% 50V                      |
| R1787    | 1-216-049-11 | RES-CHIP    | 1K 5% 1/10W                               | C1002    | 1-127-888-11 | CERAMIC                              | 0.1uF 10% 50V                     |
| R1788    | 1-216-049-11 | RES-CHIP    | 1K 5% 1/10W                               | C1003    | 1-127-888-11 | CERAMIC                              | 0.1uF 10% 50V                     |
| R1789    | 1-216-049-11 | RES-CHIP    | 1K 5% 1/10W                               | C1004    | 1-128-809-11 | CERAMIC                              | 100PF 5% 50V                      |
| R1790    | 1-216-049-11 | RES-CHIP    | 1K 5% 1/10W                               | C1005    | 1-128-821-11 | CERAMIC                              | 1000PF 5% 50V                     |
| R1791    | 1-216-049-11 | RES-CHIP    | 1K 5% 1/10W                               | C1006    | 1-127-876-11 | CERAMIC                              | 0.01uF 10% 50V                    |
| R1792    | 1-216-049-11 | RES-CHIP    | 1K 5% 1/10W                               | C1007    | 1-127-888-11 | CERAMIC                              | 0.1uF 10% 50V                     |
| R1793    | 1-216-049-11 | RES-CHIP    | 1K 5% 1/10W                               | C1016    | 1-127-888-11 | CERAMIC                              | 0.1uF 10% 50V                     |
| R1794    | 1-216-049-11 | RES-CHIP    | 1K 5% 1/10W                               | C1020    | 1-128-813-11 | CERAMIC                              | 220PF 5% 50V                      |
| R1795    | 1-216-073-00 | RES-CHIP    | 10K 5% 1/10W                              | C1021    | 1-128-813-11 | CERAMIC                              | 220PF 5% 50V                      |
| R1796    | 1-216-073-00 | RES-CHIP    | 10K 5% 1/10W                              | C1022    | 1-128-813-11 | CERAMIC                              | 220PF 5% 50V                      |
| R1797    | 1-216-073-00 | RES-CHIP    | 10K 5% 1/10W                              | C1028    | 1-127-888-11 | CERAMIC                              | 0.1uF 10% 50V                     |
| R1798    | 1-216-073-00 | RES-CHIP    | 10K 5% 1/10W                              |          |              | < CONNECTOR >                        |                                   |
| R1799    | 1-216-073-00 | RES-CHIP    | 10K 5% 1/10W                              | CN1001   | 1-784-792-11 | CONNECTOR, FFC 31P                   |                                   |
| R1800    | 1-216-025-11 | RES-CHIP    | 100 5% 1/10W                              | CN1002   | 1-770-553-11 | CONNECTOR, BOARD TO BOARD 11P        |                                   |
| R1801    | 1-216-045-00 | METAL CHIP  | 680 5% 1/10W                              | * CN1003 | 1-568-056-11 | PIN, BOARD TO BOARD 8P               |                                   |
| R1802    | 1-216-073-00 | RES-CHIP    | 10K 5% 1/10W                              | CN1004   | 1-770-553-11 | CONNECTOR, BOARD TO BOARD 11P        |                                   |
| R1803    | 1-216-045-00 | METAL CHIP  | 680 5% 1/10W                              |          |              |                                      |                                   |
| R1804    | 1-216-073-00 | RES-CHIP    | 10K 5% 1/10W                              |          |              |                                      |                                   |

# STR-DA2ES/DB1080

**DISPLAY**   **H.P**   **MAIN**

| Ref. No. | Part No.     | Description                                   | Remark |
|----------|--------------|---|--------|
|          |              | < LED >                                       |        |
| D1001    | 8-719-075-60 | LED SELS5823C-TP15 (VIDEO 1)                  |        |
| D1002    | 8-719-075-60 | LED SELS5823C-TP15 (VIDEO 2)                  |        |
| D1003    | 8-719-075-60 | LED SELS5823C-TP15 (VIDEO 3)                  |        |
| D1004    | 8-719-075-60 | LED SELS5823C-TP15 (DVD/LD)                   |        |
| D1005    | 8-719-075-60 | LED SELS5823C-TP15 (TV/SAT)                   |        |
| D1006    | 8-719-075-60 | LED SELS5823C-TP15 (TAPE)                     |        |
| D1007    | 8-719-075-60 | LED SELS5823C-TP15 (CD/SACD)                  |        |
| D1008    | 8-719-075-60 | LED SELS5823C-TP15 (MD/DAT)                   |        |
| D1009    | 8-719-075-60 | LED SELS5823C-TP15 (TUNER)                    |        |
| D1010    | 8-719-075-60 | LED SELS5823C-TP15 (PHONO)                    |        |
| D1011    | 8-719-313-50 | LED SEL6810A-TH12 (NIGHT MODE)                |        |
| D1012    | 8-719-075-60 | LED SELS5823C-TP15<br>(DIGITAL CINEMA SOUND)  |        |
| D1013    | 8-719-075-60 | LED SELS5823C-TP15 (6.1CH DECODING)           |        |
| D1014    | 8-719-046-39 | LED SEL5821A-TP15 (MULTI CH DIRECT)           |        |
| D1015    | 8-719-046-39 | LED SEL5821A-TP15 (A. DIRECT)                 |        |
| D1016    | 8-719-046-39 | LED SEL5821A-TP15 (2CH ST)                    |        |
| D1017    | 8-719-046-39 | LED SEL5821A-TP15 (MODE)                      |        |
| D1018    | 8-719-046-39 | LED SEL5821A-TP15 (AUTO DEC.)                 |        |
| D1019    | 8-719-084-07 | LED SEL5821A-TP15<br>(MULTI CHANNEL DECODING) |        |
| D1020    | 8-719-991-33 | DIODE 1SS133T-77                              |        |
|          |              | < FLUORESCENT INDICATOR TUBE >                |        |
| FL1001   | 1-518-737-11 | INDICATOR TUBE, FLUORESCENT                   |        |
|          |              | < IC >  |        |
| IC1001   | 6-701-920-01 | IC ML9261AMB                                  |        |
| IC1002   | 6-701-888-01 | IC BU2152FS                                   |        |
| IC1011   | 8-759-243-51 | IC TC74ACT08P                                 |        |
|          |              | < TRANSISTOR >                                |        |
| Q1002    | 8-729-119-78 | TRANSISTOR 2SC2785-HFE                        |        |
|          |              | < RESISTOR >                                  |        |
| △ R1001  | 1-249-381-11 | CARBON 1 5% 1/4W F                            |        |
| △ R1002  | 1-249-381-11 | CARBON 1 5% 1/4W F                            |        |
| R1004    | 1-249-417-11 | CARBON 1K 5% 1/4W                             |        |
| R1005    | 1-249-417-11 | CARBON 1K 5% 1/4W                             |        |
| R1007    | 1-249-429-11 | CARBON 10K 5% 1/4W                            |        |
| R1008    | 1-249-429-11 | CARBON 10K 5% 1/4W                            |        |
| R1009    | 1-249-429-11 | CARBON 10K 5% 1/4W                            |        |
| R1010    | 1-249-429-11 | CARBON 10K 5% 1/4W                            |        |
| R1011    | 1-247-807-31 | CARBON 100 5% 1/4W                            |        |
| R1012    | 1-247-807-31 | CARBON 100 5% 1/4W                            |        |
| R1013    | 1-247-807-31 | CARBON 100 5% 1/4W                            |        |
| R1014    | 1-247-807-31 | CARBON 100 5% 1/4W                            |        |
| R1017    | 1-249-429-11 | CARBON 10K 5% 1/4W                            |        |
| R1018    | 1-249-429-11 | CARBON 10K 5% 1/4W                            |        |
| R1024    | 1-249-437-11 | CARBON 47K 5% 1/4W                            |        |
| R1026    | 1-249-437-11 | CARBON 47K 5% 1/4W                            |        |
| R1027    | 1-249-437-11 | CARBON 47K 5% 1/4W                            |        |
| R1031    | 1-249-409-11 | CARBON 220 5% 1/4W                            |        |
| R1032    | 1-249-411-11 | CARBON 330 5% 1/4W                            |        |
| R1033    | 1-249-411-11 | CARBON 330 5% 1/4W                            |        |

| Ref. No. | Part No.     | Description                                     | Remark |
|----------|--------------|---|--------|
| R1034    | 1-249-411-11 | CARBON 330 5% 1/4W                              |        |
| R1035    | 1-249-411-11 | CARBON 330 5% 1/4W                              |        |
| R1036    | 1-249-411-11 | CARBON 330 5% 1/4W                              |        |
| R1037    | 1-249-402-11 | CARBON 56 5% 1/4W                               |        |
| R1038    | 1-249-409-11 | CARBON 220 5% 1/4W                              |        |
| R1040    | 1-249-429-11 | CARBON 10K 5% 1/4W                              |        |
| R1041    | 1-247-807-31 | CARBON 100 5% 1/4W                              |        |
| R1042    | 1-249-417-11 | CARBON 1K 5% 1/4W                               |        |
| R1043    | 1-249-417-11 | CARBON 1K 5% 1/4W                               |        |
| R1044    | 1-247-807-31 | CARBON 100 5% 1/4W                              |        |
| R1049    | 1-247-807-31 | CARBON 100 5% 1/4W                              |        |
| R1050    | 1-247-807-31 | CARBON 100 5% 1/4W                              |        |
|          |              | < ROTARY ENCODER >                              |        |
| RV1001   | 1-418-725-41 | ENCODER, ROTARY (12TYPE)<br>(MASTER VOLUME)     |        |
| *****    |              |   |        |
|          | 1-684-335-11 | H.P BOARD<br>*****                              |        |
|          |              | < CONNECTOR >                                   |        |
| CN849    | 1-784-922-11 | PIN, CONNECTOR 5P                               |        |
|          |              | < TERMINAL >                                    |        |
| * EB849  | 1-537-738-21 | TERMINAL, EARTH                                 |        |
|          |              | < JACK >  |        |
| J849     | 1-815-313-21 | JACK (PHONES)                                   |        |
| *****    |              |   |        |
|          | A-4728-469-A | MAIN BOARD, COMPLETE (DA2ES: US)                |        |
|          | A-4728-494-A | MAIN BOARD, COMPLETE (DA2ES: CND)               |        |
|          | A-4728-497-A | MAIN BOARD, COMPLETE (DB1080: SP, MY)           |        |
|          | A-4728-508-A | MAIN BOARD, COMPLETE (DB1080: E, KR)            |        |
|          | A-4728-518-A | MAIN BOARD, COMPLETE (DB1080: AEP, UK)<br>***** |        |
|          | 7-685-872-09 | SCREW +BVTT 3X8 (S)                             |        |
|          |              | < CAPACITOR >                                   |        |
| C107     | 1-127-868-11 | CERAMIC 2200PF 10% 50V                          |        |
| C119     | 1-127-868-11 | CERAMIC 2200PF 10% 50V                          |        |
| C120     | 1-127-876-11 | CERAMIC 0.01uF 10% 50V                          |        |
| C121     | 1-127-868-11 | CERAMIC 2200PF 10% 50V                          |        |
| C122     | 1-127-868-11 | CERAMIC 2200PF 10% 50V                          |        |
| C123     | 1-128-809-11 | CERAMIC 100PF 5% 50V                            |        |
| C131     | 1-128-809-11 | CERAMIC 100PF 5% 50V<br>(DB1080)                |        |
| C132     | 1-128-809-11 | CERAMIC 100PF 5% 50V<br>(DB1080)                |        |
| C133     | 1-128-813-11 | CERAMIC 220PF 5% 50V<br>(DB1080)                |        |
| C134     | 1-128-813-11 | CERAMIC 220PF 5% 50V<br>DB1080)                 |        |
| C135     | 1-126-961-11 | ELECT 2.2uF 20% 50V<br>(EXCEPT DB1080: AEP, UK) |        |
| C135     | 1-119-821-11 | ELECT 2.2uF 20% 50V<br>(DB1080: AEP, UK)        |        |

|  |  |
|--|--|
| The components identified by mark △ or dotted line with mark △ are critical for safety. Replace only with part number specified. | Les composants identifiés par une marque △ sont critiques pour la sécurité. Ne les remplacer que par une pièce portant le numéro spécifié. |
|--|--|

| Ref. No. | Part No.     | Description | Remark                                    | Ref. No. | Part No.     | Description | Remark                                   |
|----------|--------------|-------------|---|----------|--------------|-------------|--|
| C136     | 1-126-961-11 | ELECT       | 2.2uF 20% 50V<br>EXCEPT DB1080: AEP, UK)  | C409     | 1-126-934-11 | ELECT       | 220uF 20% 10V<br>(DA2ES)                 |
| C136     | 1-119-821-11 | ELECT       | 2.2uF 20% 50V<br>(DB1080: AEP, UK)        | C409     | 1-128-832-11 | ELECT       | 220uF 20% 10V<br>(DB1080: E, SP, MY, KR) |
| C137     | 1-128-809-11 | CERAMIC     | 100PF 5% 50V<br>(DB1080)                  | C409     | 1-135-667-11 | ELECT       | 220uF 10V<br>(DB1080: AEP, UK)           |
| C138     | 1-128-809-11 | CERAMIC     | 100PF 5% 50V<br>(DB1080)                  | C410     | 1-128-809-11 | CERAMIC     | 100PF 5% 50V                             |
| C139     | 1-126-934-11 | ELECT       | 220uF 20% 10V<br>(EXCEPT DB1080: AEP, UK) | C411     | 1-107-597-11 | CERAMIC     | 22PF 10% 500V                            |
| C139     | 1-128-832-11 | ELECT       | 220uF 20% 10V<br>(DB1080: AEP, UK)        | C412     | 1-107-597-11 | CERAMIC     | 22PF 10% 500V                            |
| C140     | 1-126-934-11 | ELECT       | 220uF 20% 10V<br>(EXCEPT DB1080: AEP, UK) | C414     | 1-136-161-00 | MYLAR       | 0.047uF 5% 50V                           |
| C140     | 1-128-832-11 | ELECT       | 220uF 20% 10V<br>(DB1080: AEP, UK)        | C415     | 1-136-165-00 | MYLAR       | 0.1uF 5% 50V                             |
| C141     | 1-125-896-11 | MYLAR       | 0.0091uF 5% 50V                           | C418     | 1-126-933-11 | ELECT       | 100uF 20% 16V<br>(DA2ES)                 |
| C142     | 1-125-896-11 | MYLAR       | 0.0091uF 5% 50V                           | C418     | 1-127-718-11 | ELECT       | 100uF 20% 16V<br>(DB1080: E, SP, MY, KR) |
| C143     | 1-136-159-00 | MYLAR       | 0.033uF 5% 50V                            | C418     | 1-135-709-11 | ELECT       | 100uF 16V<br>(DB1080: AEP, UK)           |
| C144     | 1-136-159-00 | MYLAR       | 0.033uF 5% 50V                            | C421     | 1-126-965-11 | ELECT       | 22uF 20% 50V<br>(DA2ES)                  |
| C145     | 1-119-821-11 | ELECT       | 2.2uF 20% 50V<br>(DB1080: AEP, UK)        | C421     | 1-128-858-11 | ELECT       | 22uF 20% 50V<br>(DB1080: E, SP, MY, KR)  |
| C145     | 1-126-961-11 | ELECT       | 2.2uF 20% 50V<br>(EXCEPT DB1080: AEP, UK) | C421     | 1-135-744-11 | ELECT       | 22uF 50V<br>(DB1080: AEP, UK)            |
| C146     | 1-119-821-11 | ELECT       | 2.2uF 20% 50V<br>(DB1080: AEP, UK)        | C451     | 1-126-965-11 | ELECT       | 22uF 20% 50V<br>(DA2ES)                  |
| C146     | 1-126-961-11 | ELECT       | 2.2uF 20% 50V<br>(EXCEPT DB1080: AEP, UK) | C451     | 1-128-858-11 | ELECT       | 22uF 20% 50V<br>(DB1080: E, SP, MY, KR)  |
| C161     | 1-127-868-11 | CERAMIC     | 2200PF 10% 50V                            | C451     | 1-135-744-11 | ELECT       | 22uF 50V<br>(DB1080: AEP, UK)            |
| C162     | 1-127-868-11 | CERAMIC     | 2200PF 10% 50V                            | C452     | 1-102-110-00 | CERAMIC     | 220PF 10% 50V                            |
| C163     | 1-127-868-11 | CERAMIC     | 2200PF 10% 50V                            | C454     | 1-126-965-11 | ELECT       | 22uF 20% 50V<br>(DA2ES)                  |
| C164     | 1-127-868-11 | CERAMIC     | 2200PF 10% 50V                            | C454     | 1-128-858-11 | ELECT       | 22uF 20% 50V<br>(DB1080: E, SP, MY, KR)  |
| C165     | 1-128-809-11 | CERAMIC     | 100PF 5% 50V                              | C454     | 1-135-744-11 | ELECT       | 22uF 50V<br>(DB1080: AEP, UK)            |
| C179     | 1-127-868-11 | CERAMIC     | 2200PF 10% 50V<br>(DA2ES)                 | C455     | 1-102-110-00 | CERAMIC     | 220PF 10% 50V                            |
| C180     | 1-127-868-11 | CERAMIC     | 2200PF 10% 50V<br>(DA2ES)                 | C456     | 1-102-233-00 | CERAMIC     | 33PF 10% 500V                            |
| C181     | 1-128-809-11 | CERAMIC     | 100PF 5% 50V<br>(DA2ES)                   | C458     | 1-102-230-00 | CERAMIC     | 4PF 0.25PF 500V                          |
| C401     | 1-126-965-11 | ELECT       | 22uF 20% 50V<br>(DA2ES)                   | C459     | 1-126-934-11 | ELECT       | 220uF 20% 10V<br>(DA2ES)                 |
| C401     | 1-128-858-11 | ELECT       | 22uF 20% 50V<br>(DB1080: E, SP, MY, KR)   | C459     | 1-128-832-11 | ELECT       | 220uF 20% 10V<br>(DB1080: E, SP, MY, KR) |
| C401     | 1-135-744-11 | ELECT       | 22uF 50V<br>(DB1080: AEP, UK)             | C459     | 1-135-667-11 | ELECT       | 220uF 10V<br>(DB1080: AEP, UK)           |
| C402     | 1-102-110-00 | CERAMIC     | 220PF 10% 50V                             | C460     | 1-128-809-11 | CERAMIC     | 100PF 5% 50V                             |
| C403     | 1-119-824-11 | ELECT       | 10uF 20% 50V<br>(DB1080: E, SP, MY, KR)   | C461     | 1-107-597-11 | CERAMIC     | 22PF 10% 500V                            |
| C403     | 1-126-964-11 | ELECT       | 10uF 20% 50V<br>(DA2ES)                   | C462     | 1-107-597-11 | CERAMIC     | 22PF 10% 500V                            |
| C403     | 1-135-743-11 | ELECT       | 10uF 50V<br>(DB1080: AEP, UK)             | C464     | 1-136-161-00 | MYLAR       | 0.047uF 5% 50V                           |
| C404     | 1-126-965-11 | ELECT       | 22uF 20% 50V<br>(DA2ES)                   | C465     | 1-136-165-00 | MYLAR       | 0.1uF 5% 50V                             |
| C404     | 1-128-858-11 | ELECT       | 22uF 20% 50V<br>(DB1080: E, SP, MY, KR)   | C468     | 1-126-933-11 | ELECT       | 100uF 20% 16V<br>(DA2ES)                 |
| C404     | 1-135-744-11 | ELECT       | 22uF 50V<br>(DB1080: AEP, UK)             | C468     | 1-127-718-11 | ELECT       | 100uF 20% 16V<br>(DB1080: E, SP, MY, KR) |
| C405     | 1-102-110-00 | CERAMIC     | 220PF 10% 50V                             | C468     | 1-135-709-11 | ELECT       | 100uF 16V<br>(DB1080: AEP, UK)           |
| C406     | 1-102-233-00 | CERAMIC     | 33PF 10% 500V                             | C469     | 1-128-809-11 | CERAMIC     | 100PF 5% 50V                             |
| C408     | 1-102-230-00 | CERAMIC     | 4PF 0.25PF 500V                           | C471     | 1-126-965-11 | ELECT       | 22uF 20% 50V<br>(DA2ES)                  |
|          |              |             |   | C471     | 1-128-858-11 | ELECT       | 22uF 20% 50V<br>(DB1080: E, SP, MY, KR)  |

# STR-DA2ES/DB1080

## MAIN

| Ref. No. | Part No.     | Description | Remark                                   | Ref. No. | Part No.     | Description | Remark                                   |
|----------|--------------|-------------|--|----------|--------------|-------------|--|
| C471     | 1-135-744-11 | ELECT       | 22uF 50V<br>(DB1080: AEP, UK)            | C555     | 1-102-110-00 | CERAMIC     | 220PF 10% 50V                            |
| C501     | 1-126-965-11 | ELECT       | 22uF 20% 50V<br>(DA2ES)                  | C556     | 1-102-233-00 | CERAMIC     | 33PF 10% 500V                            |
| C501     | 1-128-858-11 | ELECT       | 22uF 20% 50V<br>(DB1080: E, SP, MY, KR)  | C557     | 1-128-809-11 | CERAMIC     | 100PF 5% 50V                             |
| C501     | 1-135-744-11 | ELECT       | 22uF 50V<br>(DB1080: AEP, UK)            | C558     | 1-102-230-00 | CERAMIC     | 4PF 0.25PF 500V                          |
| C502     | 1-102-110-00 | CERAMIC     | 220PF 10% 50V                            | C559     | 1-126-934-11 | ELECT       | 220uF 20% 10V<br>(DA2ES)                 |
| C503     | 1-119-824-11 | ELECT       | 10uF 20% 50V<br>(DB1080: E, SP, MY, KR)  | C559     | 1-128-832-11 | ELECT       | 220uF 20% 10V<br>(DB1080: E, SP, MY, KR) |
| C503     | 1-126-964-11 | ELECT       | 10uF 20% 50V<br>(DA2ES)                  | C559     | 1-135-667-11 | ELECT       | 220uF 10V<br>(DB1080: AEP, UK)           |
| C503     | 1-135-743-11 | ELECT       | 10uF 50V<br>(DB1080: AEP, UK)            | C560     | 1-128-809-11 | CERAMIC     | 100PF 5% 50V                             |
| C504     | 1-126-965-11 | ELECT       | 22uF 20% 50V<br>(DA2ES)                  | C561     | 1-107-597-11 | CERAMIC     | 22PF 10% 500V                            |
| C504     | 1-128-858-11 | ELECT       | 22uF 20% 50V<br>(DB1080: E, SP, MY, KR)  | C562     | 1-107-597-11 | CERAMIC     | 22PF 10% 500V                            |
| C504     | 1-135-744-11 | ELECT       | 22uF 50V<br>(DB1080: AEP, UK)            | C564     | 1-136-161-00 | MYLAR       | 0.047uF 5% 50V                           |
| C505     | 1-102-110-00 | CERAMIC     | 220PF 10% 50V                            | C565     | 1-136-165-00 | MYLAR       | 0.1uF 5% 50V                             |
| C506     | 1-102-233-00 | CERAMIC     | 33PF 10% 500V                            | C568     | 1-126-933-11 | ELECT       | 100uF 20% 16V<br>(DA2ES)                 |
| C507     | 1-128-809-11 | CERAMIC     | 100PF 5% 50V                             | C568     | 1-127-718-11 | ELECT       | 100uF 20% 16V<br>(DB1080: E, SP, MY, KR) |
| C508     | 1-102-230-00 | CERAMIC     | 4PF 0.25PF 500V                          | C568     | 1-135-709-11 | ELECT       | 100uF 16V<br>(DB1080: AEP, UK)           |
| C509     | 1-126-934-11 | ELECT       | 220uF 20% 10V<br>(DA2ES)                 | C571     | 1-126-965-11 | ELECT       | 22uF 20% 50V<br>(DA2ES)                  |
| C509     | 1-128-832-11 | ELECT       | 220uF 20% 10V<br>(DB1080: E, SP, MY, KR) | C571     | 1-128-858-11 | ELECT       | 22uF 20% 50V<br>(DB1080: E, SP, MY, KR)  |
| C509     | 1-135-667-11 | ELECT       | 220uF 10V<br>(DB1080: AEP, UK)           | C571     | 1-135-744-11 | ELECT       | 22uF 50V<br>(DB1080: AEP, UK)            |
| C510     | 1-128-809-11 | CERAMIC     | 100PF 5% 50V                             | C601     | 1-126-965-11 | ELECT       | 22uF 20% 50V<br>(DA2ES)                  |
| C511     | 1-107-597-11 | CERAMIC     | 22PF 10% 500V                            | C601     | 1-128-858-11 | ELECT       | 22uF 20% 50V<br>(DB1080: E, SP, MY, KR)  |
| C512     | 1-107-597-11 | CERAMIC     | 22PF 10% 500V                            | C601     | 1-135-744-11 | ELECT       | 22uF 50V<br>(DB1080: AEP, UK)            |
| C514     | 1-136-161-00 | MYLAR       | 0.047uF 5% 50V                           | C602     | 1-102-110-00 | CERAMIC     | 220PF 10% 50V                            |
| C515     | 1-136-165-00 | MYLAR       | 0.1uF 5% 50V                             | C603     | 1-119-824-11 | ELECT       | 10uF 20% 50V<br>(DB1080: E, SP, MY, KR)  |
| C518     | 1-126-933-11 | ELECT       | 100uF 20% 16V<br>(DA2ES)                 | C603     | 1-126-964-11 | ELECT       | 10uF 20% 50V<br>(DA2ES)                  |
| C518     | 1-127-718-11 | ELECT       | 100uF 20% 16V<br>(DB1080: E, SP, MY, KR) | C603     | 1-135-743-11 | ELECT       | 10uF 50V<br>(DB1080: AEP, UK)            |
| C518     | 1-135-709-11 | ELECT       | 100uF 16V<br>(DB1080: AEP, UK)           | C604     | 1-126-965-11 | ELECT       | 22uF 20% 50V<br>(DA2ES)                  |
| C519     | 1-128-809-11 | CERAMIC     | 100PF 5% 50V                             | C604     | 1-128-858-11 | ELECT       | 22uF 20% 50V<br>(DB1080: E, SP, MY, KR)  |
| C521     | 1-126-965-11 | ELECT       | 22uF 20% 50V<br>(DA2ES)                  | C604     | 1-135-744-11 | ELECT       | 22uF 50V<br>(DB1080: AEP, UK)            |
| C521     | 1-128-858-11 | ELECT       | 22uF 20% 50V<br>(DB1080: E, SP, MY, KR)  | C605     | 1-102-110-00 | CERAMIC     | 220PF 10% 50V                            |
| C521     | 1-135-744-11 | ELECT       | 22uF 50V<br>(DB1080: AEP, UK)            | C606     | 1-102-233-00 | CERAMIC     | 33PF 10% 500V                            |
| C551     | 1-126-965-11 | ELECT       | 22uF 20% 50V<br>(DA2ES)                  | C607     | 1-128-809-11 | CERAMIC     | 100PF 5% 50V                             |
| C551     | 1-128-858-11 | ELECT       | 22uF 20% 50V<br>(DB1080: E, SP, MY, KR)  | C608     | 1-102-230-00 | CERAMIC     | 4PF 0.25PF 500V                          |
| C551     | 1-135-744-11 | ELECT       | 22uF 50V<br>(DB1080: AEP, UK)            | C609     | 1-126-934-11 | ELECT       | 220uF 20% 10V<br>(DA2ES)                 |
| C552     | 1-102-110-00 | CERAMIC     | 220PF 10% 50V                            | C609     | 1-128-832-11 | ELECT       | 220uF 20% 10V<br>(DB1080: E, SP, MY, KR) |
| C554     | 1-126-965-11 | ELECT       | 22uF 20% 50V<br>(DA2ES)                  | C609     | 1-135-667-11 | ELECT       | 220uF 10V<br>(DB1080: AEP, UK)           |
| C554     | 1-128-858-11 | ELECT       | 22uF 20% 50V<br>(DB1080: E, SP, MY, KR)  | C610     | 1-128-809-11 | CERAMIC     | 100PF 5% 50V                             |
| C554     | 1-135-744-11 | ELECT       | 22uF 50V<br>(DB1080: AEP, UK)            | C611     | 1-107-597-11 | CERAMIC     | 22PF 10% 500V                            |
|          |              |             |  | C612     | 1-107-597-11 | CERAMIC     | 22PF 10% 500V                            |
|          |              |             |  | C614     | 1-136-161-00 | MYLAR       | 0.047uF 5% 50V                           |
|          |              |             |  | C615     | 1-136-165-00 | MYLAR       | 0.1uF 5% 50V                             |

| Ref. No. | Part No.     | Description | Remark  |        |                                | Ref. No. | Part No.     | Description | Remark |     |                                 |
|----------|--------------|-------------|---------|--------|--------------------------------|----------|--------------|-------------|--------|-----|---------------------------------|
| C618     | 1-126-933-11 | ELECT       | 100uF   | 20%    | 16V<br>(DA2ES)                 | C702     | 1-102-110-00 | CERAMIC     | 220PF  | 10% | 50V                             |
|          |              |             |         |        |                                | C703     | 1-126-965-11 | ELECT       | 22uF   | 20% | 50V<br>(DA2ES)                  |
| C618     | 1-127-718-11 | ELECT       | 100uF   | 20%    | 16V<br>(DB1080: E, SP, MY, KR) | C703     | 1-128-858-11 | ELECT       | 22uF   | 20% | 50V<br>(DB1080: E, SP, MY, KR)  |
| C618     | 1-135-709-11 | ELECT       | 100uF   |        | 16V<br>(DB1080: AEP, UK)       | C703     | 1-135-744-11 | ELECT       | 22uF   |     | 50V<br>(DB1080: AEP, UK)        |
| C619     | 1-128-809-11 | CERAMIC     | 100PF   | 5%     | 50V                            | C718     | 1-126-933-11 | ELECT       | 100uF  | 20% | 16V<br>(DA2ES)                  |
| C621     | 1-126-965-11 | ELECT       | 22uF    | 20%    | 50V<br>(DA2ES)                 | C718     | 1-127-718-11 | ELECT       | 100uF  | 20% | 16V<br>(DB1080: E, SP, MY, KR)  |
| C621     | 1-128-858-11 | ELECT       | 22uF    | 20%    | 50V<br>(DB1080: E, SP, MY, KR) | C718     | 1-135-709-11 | ELECT       | 100uF  |     | 16V<br>(DB1080: AEP, UK)        |
| C621     | 1-135-744-11 | ELECT       | 22uF    |        | 50V<br>(DB1080: AEP, UK)       | C721     | 1-126-965-11 | ELECT       | 22uF   | 20% | 50V<br>(DA2ES)                  |
| C651     | 1-126-965-11 | ELECT       | 22uF    | 20%    | 50V<br>(DA2ES)                 | C721     | 1-128-858-11 | ELECT       | 22uF   | 20% | 50V<br>(DB1080: E, SP, MY, KR)  |
| C651     | 1-128-858-11 | ELECT       | 22uF    | 20%    | 50V<br>(DB1080: E, SP, MY, KR) | C721     | 1-135-744-11 | ELECT       | 22uF   |     | 50V<br>(DB1080: AEP, UK)        |
| C651     | 1-135-744-11 | ELECT       | 22uF    |        | 50V<br>(DB1080: AEP, UK)       | C790     | 1-128-560-11 | ELECT       | 22uF   | 20% | 100V<br>(DA2ES)                 |
| C652     | 1-102-110-00 | CERAMIC     | 220PF   | 10%    | 50V                            | C790     | 1-128-886-11 | ELECT       | 100uF  | 20% | 100V<br>(DB1080: E, SP, MY, KR) |
| C654     | 1-126-965-11 | ELECT       | 22uF    | 20%    | 50V<br>(DA2ES)                 | C790     | 1-135-730-51 | ELECT       | 100uF  |     | 100V<br>(DB1080: AEP, UK)       |
| C654     | 1-128-858-11 | ELECT       | 22uF    | 20%    | 50V<br>(DB1080: E, SP, MY, KR) | C795     | 1-128-560-11 | ELECT       | 22uF   | 20% | 100V<br>(DA2ES)                 |
| C654     | 1-135-744-11 | ELECT       | 22uF    |        | 50V<br>(DB1080: AEP, UK)       | C795     | 1-128-886-11 | ELECT       | 100uF  | 20% | 100V<br>(DB1080: E, SP, MY, KR) |
| C655     | 1-102-110-00 | CERAMIC     | 220PF   | 10%    | 50V                            | C795     | 1-135-730-51 | ELECT       | 100uF  |     | 100V<br>(DB1080: AEP, UK)       |
| C656     | 1-102-233-00 | CERAMIC     | 33PF    | 10%    | 500V                           | C801     | 1-126-941-11 | ELECT       | 470uF  | 20% | 25V<br>(DA2ES)                  |
| C657     | 1-128-809-11 | CERAMIC     | 100PF   | 5%     | 50V                            | C801     | 1-127-726-11 | ELECT       | 470uF  | 20% | 25V<br>(DB1080: E, SP, MY, KR)  |
| C658     | 1-102-230-00 | CERAMIC     | 4PF     | 0.25PF | 500V                           | C801     | 1-135-684-11 | ELECT       | 470uF  |     | 25V<br>(DB1080: AEP, UK)        |
| C659     | 1-126-934-11 | ELECT       | 220uF   | 20%    | 10V<br>(DA2ES)                 | C802     | 1-126-941-11 | ELECT       | 470uF  | 20% | 25V<br>(DA2ES)                  |
| C659     | 1-128-832-11 | ELECT       | 220uF   | 20%    | 10V<br>(DB1080: E, SP, MY, KR) | C802     | 1-127-726-11 | ELECT       | 470uF  | 20% | 25V<br>(DB1080: E, SP, MY, KR)  |
| C659     | 1-135-667-11 | ELECT       | 220uF   |        | 10V<br>(DB1080: AEP, UK)       | C802     | 1-135-684-11 | ELECT       | 470uF  |     | 25V<br>(DB1080: AEP, UK)        |
| C660     | 1-128-809-11 | CERAMIC     | 100PF   | 5%     | 50V                            | C809     | 1-128-560-11 | ELECT       | 22uF   | 20% | 100V<br>(DA2ES)                 |
| C661     | 1-107-597-11 | CERAMIC     | 22PF    | 10%    | 500V                           | C809     | 1-128-883-11 | ELECT       | 22uF   | 20% | 100V<br>(DB1080: E, SP, MY, KR) |
| C662     | 1-107-597-11 | CERAMIC     | 22PF    | 10%    | 500V                           | C809     | 1-135-727-11 | ELECT       | 22uF   |     | 100V<br>(DB1080: AEP, UK)       |
| C664     | 1-136-161-00 | MYLAR       | 0.047uF | 5%     | 50V                            | C810     | 1-128-560-11 | ELECT       | 22uF   | 20% | 100V<br>(DA2ES)                 |
| C665     | 1-136-165-00 | MYLAR       | 0.1uF   | 5%     | 50V                            | C810     | 1-128-883-11 | ELECT       | 22uF   | 20% | 100V<br>(DB1080: E, SP, MY, KR) |
| C668     | 1-126-933-11 | ELECT       | 100uF   | 20%    | 16V<br>(DA2ES)                 | C810     | 1-135-727-11 | ELECT       | 22uF   |     | 100V<br>(DB1080: AEP, UK)       |
| C668     | 1-127-718-11 | ELECT       | 100uF   | 20%    | 16V<br>(DB1080: E, SP, MY, KR) | C814     | 1-126-933-11 | ELECT       | 100uF  | 20% | 16V                             |
| C668     | 1-135-709-11 | ELECT       | 100uF   |        | 16V<br>(DB1080: AEP, UK)       | C815     | 1-126-933-11 | ELECT       | 100uF  | 20% | 16V                             |
| C669     | 1-128-809-11 | CERAMIC     | 100PF   | 5%     | 50V                            | C816     | 1-127-888-11 | CERAMIC     | 0.1uF  | 10% | 50V                             |
| C671     | 1-126-965-11 | ELECT       | 22uF    | 20%    | 50V<br>(DA2ES)                 | C817     | 1-126-947-11 | ELECT       | 47uF   | 20% | 35V<br>(DA2ES)                  |
| C671     | 1-128-858-11 | ELECT       | 22uF    | 20%    | 50V<br>(DB1080: E, SP, MY, KR) | C817     | 1-128-850-11 | ELECT       | 47uF   | 20% | 35V<br>(DB1080: E, SP, MY, KR)  |
| C671     | 1-135-744-11 | ELECT       | 22uF    |        | 50V<br>(DB1080: AEP, UK)       |          |              |             |        |     |                                 |
| C701     | 1-126-965-11 | ELECT       | 22uF    | 20%    | 50V<br>(DA2ES)                 |          |              |             |        |     |                                 |
| C701     | 1-128-858-11 | ELECT       | 22uF    | 20%    | 50V<br>(DB1080: E, SP, MY, KR) |          |              |             |        |     |                                 |
| C701     | 1-135-744-11 | ELECT       | 22uF    |        | 50V<br>(DB1080: AEP, UK)       |          |              |             |        |     |                                 |

# STR-DA2ES/DB1080

## MAIN

| Ref. No. | Part No.     | Description                      | Remark                                  | Ref. No. | Part No.     | Description  | Remark |
|----------|--------------|----------------------------------|---|----------|--------------|--|--------|
| C817     | 1-135-775-11 | ELECT                            | 47uF 35V<br>(DB1080: AEP, UK)           | IC503    | 6-700-943-01 | IC uPC2581V-S  |        |
| C818     | 1-128-551-11 | ELECT                            | 22uF 20% 25V<br>(DA2ES)                 | IC521    | 8-759-636-74 | IC M5218AP-22  |        |
| C818     | 1-128-858-11 | ELECT                            | 22uF 20% 25V<br>(DB1080: E, SP, MY, KR) | IC601    | 6-702-387-01 | IC CXD9725M  |        |
| C818     | 1-135-703-11 | ELECT                            | 22uF 25V<br>(DB1080: AEP, UK)           | IC602    | 8-759-636-74 | IC M5218AP-22  |        |
| C819     | 1-128-551-11 | ELECT                            | 22uF 20% 25V<br>(DA2ES)                 | IC603    | 6-700-943-01 | IC uPC2581V  |        |
| C819     | 1-128-858-11 | ELECT                            | 22uF 20% 25V<br>(DB1080: E, SP, MY, KR) | IC621    | 8-759-636-74 | IC M5218AP-22  |        |
| C819     | 1-135-703-11 | ELECT                            | 22uF 25V<br>(DB1080: AEP, UK)           | IC651    | 6-702-387-01 | IC CXD9725M  |        |
| C821     | 1-127-876-11 | CERAMIC                          | 0.01uF 10% 50V                          | IC652    | 8-759-636-74 | IC M5218AP-22  |        |
|          |              | < CONNECTOR >                    |   | IC801    | 8-759-231-59 | IC TA7815S   |        |
| CN101    | 1-784-776-11 | CONNECTOR, FFC 15P (DA2ES)       |   | IC802    | 8-759-245-87 | IC TA79015S  |        |
| CN101    | 1-568-828-11 | CONNECTOR, FFC 9P (DB1080)       |   | IC804    | 8-759-243-51 | IC TC74ACT08P  |        |
| CN801    | 1-784-922-11 | PIN, CONNECTOR 5P                |   | IC805    | 8-759-243-51 | IC TC74ACT08P  |        |
| CN802    | 1-785-101-21 | PIN, CONNECTOR (3.96mm PITCH) 3P |   |          |              | < JACK >   |        |
| CN803    | 1-785-102-11 | PIN, CONNECTOR (3.96mm PITCH) 4P |   | J101     | 1-779-599-11 | JACK, PIN 6P (MULTI CH IN 2 FRONT/<br>SURROUND/CENTER/SUB WOOFER)    |        |
| CN804    | 1-784-923-11 | PIN, CONNECTOR 7P                |   | J111     | 1-779-599-11 | JACK, PIN 6P (MULTI CH IN 1 FRONT/<br>SURROUND/CENTER/SURROUND BACK) |        |
| CN805    | 1-784-928-11 | PIN, CONNECTOR 13P               |   | J112     | 1-774-785-11 | JACK, PIN 1P (MULTI CH IN 1 SUB WOOFER)                              |        |
| CN806    | 1-569-814-11 | CONNECTOR, BOARD TO BOARD 21P    |   | J131     | 1-695-188-31 | JACK, PIN 4P (PHONO IN, CD/SACD IN)                                  |        |
| CN807    | 1-569-814-11 | CONNECTOR, BOARD TO BOARD 21P    |   | J151     | 1-695-188-31 | JACK, PIN 4P (MD/DAT OUT, MD/DAT IN)                                 |        |
| CN809    | 1-779-977-11 | PIN, CONNECTOR 6P                |   | J152     | 1-695-188-31 | JACK, PIN 4P (TAPE OUT, TAPE IN)                                     |        |
|          |              | < DIODE >                        |   |          |              | < COIL >   |        |
| D790     | 8-719-947-65 | DIODE MTZJ-T-72-16B (DA2ES: CND) |   | L401     | 1-422-009-13 | COIL, AIR-CORE   |        |
| D790     | 8-719-947-70 | DIODE MTZJ-T-72-18C (DA2ES: US)  |   | L451     | 1-422-009-13 | COIL, AIR-CORE   |        |
| D790     | 8-719-947-84 | DIODE MTZJ-T-72-24D (DB1080)     |   | L501     | 1-422-009-13 | COIL, AIR-CORE   |        |
| D791     | 8-719-911-19 | DIODE 1SS119-25                  |   | L551     | 1-422-009-13 | COIL, AIR-CORE   |        |
| D796     | 8-719-911-19 | DIODE 1SS119-25                  |   | L601     | 1-422-009-13 | COIL, AIR-CORE   |        |
|          |              |                                  |   | L651     | 1-422-009-13 | COIL, AIR-CORE   |        |
| D802     | 8-719-911-19 | DIODE 1SS119-25                  |   |          |              | < TRANSISTOR >   |        |
| D803     | 8-719-911-19 | DIODE 1SS119-25                  |   | Q401     | 8-729-141-30 | TRANSISTOR 2SC3623A-LK   |        |
| D804     | 8-719-911-19 | DIODE 1SS119-25                  |   | Q451     | 8-729-141-30 | TRANSISTOR 2SC3623A-LK   |        |
| D809     | 8-719-911-19 | DIODE 1SS119-25                  |   | Q501     | 8-729-141-30 | TRANSISTOR 2SC3623A-LK   |        |
| D810     | 8-719-911-19 | DIODE 1SS119-25                  |   | Q551     | 8-729-141-30 | TRANSISTOR 2SC3623A-LK   |        |
|          |              |                                  |   | Q601     | 8-729-141-30 | TRANSISTOR 2SC3623A-LK   |        |
| D811     | 8-719-911-19 | DIODE 1SS119-25                  |   | Q651     | 8-729-141-30 | TRANSISTOR 2SC3623A-LK   |        |
| D812     | 8-719-911-19 | DIODE 1SS119-25                  |   | Q701     | 8-729-141-30 | TRANSISTOR 2SC3623A-LK   |        |
| D813     | 8-719-911-19 | DIODE 1SS119-25                  |   | Q790     | 8-729-032-65 | TRANSISTOR 2SD2396H  |        |
| D814     | 8-719-911-19 | DIODE 1SS119-25                  |   | Q791     | 8-729-140-84 | TRANSISTOR 2SC1841-PAFAEA  |        |
| D815     | 8-719-985-88 | DIODE HZS6B2LTA                  |   | Q795     | 8-729-024-95 | TRANSISTOR 2SB1565EF   |        |
|          |              |                                  |   | Q807     | 8-729-119-79 | TRANSISTOR 2SC2785-FEK   |        |
| D818     | 8-719-911-19 | DIODE 1SS119-25                  |   | Q808     | 8-729-119-79 | TRANSISTOR 2SC2785-FEK   |        |
| D819     | 8-719-911-19 | DIODE 1SS119-25                  |   | Q809     | 8-729-119-79 | TRANSISTOR 2SC2785-FEK   |        |
| D820     | 8-719-911-19 | DIODE 1SS119-25                  |   | Q810     | 8-729-900-63 | TRANSISTOR DTA124ES  |        |
|          |              | < IC >                           |   | Q813     | 8-729-900-63 | TRANSISTOR DTA124ES  |        |
| IC111    | 8-759-835-79 | IC TC9274N-016                   |   | Q815     | 8-729-119-79 | TRANSISTOR 2SC2785-FEK   |        |
| IC131    | 8-759-636-74 | IC M5218AP-22                    |   | Q823     | 8-729-119-79 | TRANSISTOR 2SC2785-FEK   |        |
| IC151    | 8-759-582-64 | IC TC9273N-004                   |   | Q824     | 8-729-119-78 | TRANSISTOR 2SC2785-HFE   |        |
| IC171    | 8-759-582-66 | IC TC9273N-013 (DA2ES)           |   | Q826     | 8-729-119-79 | TRANSISTOR 2SC2785-FEK   |        |
| IC401    | 6-702-387-01 | IC CXD9725M                      |   |          |              | < RESISTOR >   |        |
| IC402    | 8-759-636-74 | IC M5218AP-22                    |   | R101     | 1-249-417-11 | CARBON 1K 5% 1/4W  |        |
| IC403    | 6-700-943-01 | IC uPC2581V-S                    |   | R102     | 1-249-417-11 | CARBON 1K 5% 1/4W  |        |
| IC421    | 8-759-636-74 | IC M5218AP-22                    |   | R103     | 1-249-417-11 | CARBON 1K 5% 1/4W  |        |
| IC501    | 6-702-387-01 | IC CXD9725M                      |   | R104     | 1-249-417-11 | CARBON 1K 5% 1/4W  |        |
| IC502    | 8-759-636-74 | IC M5218AP-22                    |   |          |              |  |        |



| Ref. No. | Part No.     | Description | Remark                                   | Ref. No. | Part No.     | Description            | Remark                                   |
|----------|--------------|-------------|--|----------|--------------|------------------------|--|
| R105     | 1-249-417-11 | CARBON      | 1K 5% 1/4W                               | R404     | 1-249-417-11 | CARBON                 | 1K 5% 1/4W                               |
| R106     | 1-249-417-11 | CARBON      | 1K 5% 1/4W                               | R407     | 1-249-433-11 | CARBON                 | 22K 5% 1/4W                              |
| R111     | 1-249-417-11 | CARBON      | 1K 5% 1/4W                               | R408     | 1-243-115-22 | CARBON                 | 1K 5% 1/4W<br>(DB1080: AEP, UK)          |
| R112     | 1-249-417-11 | CARBON      | 1K 5% 1/4W                               | R408     | 1-249-417-11 | CARBON                 | 1K 5% 1/4W<br>(EXCEPT DB1080: AEP, UK)   |
| R113     | 1-249-417-11 | CARBON      | 1K 5% 1/4W                               | R409     | 1-243-159-22 | CARBON                 | 68K 5% 1/4W<br>(DB1080: AEP, UK)         |
| R114     | 1-249-417-11 | CARBON      | 1K 5% 1/4W                               | R409     | 1-249-439-11 | CARBON                 | 68K 5% 1/4W<br>(EXCEPT DB1080: AEP, UK)  |
| R115     | 1-249-417-11 | CARBON      | 1K 5% 1/4W                               | R410     | 1-249-422-11 | CARBON                 | 2.7K 5% 1/4W<br>(EXCEPT DB1080: AEP, UK) |
| R116     | 1-249-417-11 | CARBON      | 1K 5% 1/4W                               | R410     | 1-249-683-31 | CARBON                 | 2.7K 5% 1/2W<br>(DB1080: AEP, UK)        |
| R117     | 1-249-417-11 | CARBON      | 1K 5% 1/4W                               | R411     | 1-249-439-11 | CARBON                 | 68K 5% 1/4W<br>(EXCEPT DB1080: AEP, UK)  |
| R119     | 1-249-417-11 | CARBON      | 1K 5% 1/4W                               | R411     | 1-249-494-11 | CARBON                 | 68K 5% 1/2W<br>(DB1080: AEP, UK)         |
| R131     | 1-249-421-11 | CARBON      | 2.2K 5% 1/4W<br>(DB1080)                 | △R412    | 1-249-405-11 | CARBON                 | 100 5% 1/4W F                            |
| R132     | 1-249-421-11 | CARBON      | 2.2K 5% 1/4W<br>(DB1080)                 | △R413    | 1-249-405-11 | CARBON                 | 100 5% 1/4W F                            |
| R133     | 1-249-441-11 | CARBON      | 100K 5% 1/4W                             | △R414    | 1-234-182-11 | ENCAPSULATED COMPONENT | 0.22 5W F<br>(EXCEPT DB1080: AEP, UK)    |
| R134     | 1-249-441-11 | CARBON      | 100K 5% 1/4W                             | △R414    | 1-234-572-21 | ENCAPSULATED COMPONENT | 0.22 5W F<br>(DB1080: AEP, UK)           |
| R135     | 1-249-408-11 | CARBON      | 180 5% 1/4W                              | △R416    | 1-249-393-11 | CARBON                 | 10 5% 1/4W F                             |
| R136     | 1-249-408-11 | CARBON      | 180 5% 1/4W                              | △R417    | 1-249-393-11 | CARBON                 | 10 5% 1/4W F                             |
| R137     | 1-249-428-11 | CARBON      | 8.2K 5% 1/4W                             | R421     | 1-243-163-22 | CARBON                 | 100K 5% 1/4W<br>(DB1080: AEP, UK)        |
| R138     | 1-249-428-11 | CARBON      | 8.2K 5% 1/4W                             | R421     | 1-249-441-11 | CARBON                 | 100K 5% 1/4W<br>(EXCEPT DB1080: AEP, UK) |
| R139     | 1-249-441-11 | CARBON      | 100K 5% 1/4W                             | R451     | 1-249-427-11 | CARBON                 | 6.8K 5% 1/4W                             |
| R140     | 1-249-441-11 | CARBON      | 100K 5% 1/4W                             | R452     | 1-243-115-22 | CARBON                 | 1K 5% 1/4W<br>(DB1080: AEP, UK)          |
| R141     | 1-247-807-31 | CARBON      | 100 5% 1/4W                              | R452     | 1-249-417-11 | CARBON                 | 1K 5% 1/4W<br>(EXCEPT DB1080: AEP, UK)   |
| R142     | 1-247-807-31 | CARBON      | 100 5% 1/4W                              | R453     | 1-243-163-22 | CARBON                 | 100K 5% 1/4W<br>(DB1080: AEP, UK)        |
| R143     | 1-249-441-11 | CARBON      | 100K 5% 1/4W                             | R453     | 1-249-441-11 | CARBON                 | 100K 5% 1/4W<br>(EXCEPT DB1080: AEP, UK) |
| R144     | 1-249-441-11 | CARBON      | 100K 5% 1/4W                             | R458     | 1-243-115-22 | CARBON                 | 1K 5% 1/4W<br>(DB1080: AEP, UK)          |
| R145     | 1-249-413-11 | CARBON      | 470 5% 1/4W                              | R458     | 1-249-417-11 | CARBON                 | 1K 5% 1/4W<br>(EXCEPT DB1080: AEP, UK)   |
| R146     | 1-249-413-11 | CARBON      | 470 5% 1/4W                              | R459     | 1-243-159-22 | CARBON                 | 68K 5% 1/4W<br>(DB1080: AEP, UK)         |
| R147     | 1-249-441-11 | CARBON      | 100K 5% 1/4W                             | R459     | 1-249-439-11 | CARBON                 | 68K 5% 1/4W<br>(EXCEPT DB1080: AEP, UK)  |
| R148     | 1-249-441-11 | CARBON      | 100K 5% 1/4W                             | R460     | 1-249-422-11 | CARBON                 | 2.7K 5% 1/4W<br>(EXCEPT DB1080: AEP, UK) |
| R151     | 1-243-115-22 | CARBON      | 1K 5% 1/4W<br>(DB1080: AEP, UK)          | R460     | 1-249-683-31 | CARBON                 | 2.7K 5% 1/2W<br>(DB1080: AEP, UK)        |
| R151     | 1-249-417-11 | CARBON      | 1K 5% 1/4W<br>(EXCEPT DB1080: AEP, UK)   | R461     | 1-249-439-11 | CARBON                 | 68K 5% 1/4W<br>(EXCEPT DB1080: AEP, UK)  |
| R152     | 1-243-115-22 | CARBON      | 1K 5% 1/4W<br>(DB1080: AEP, UK)          | R461     | 1-249-494-11 | CARBON                 | 68K 5% 1/2W<br>(DB1080: AEP, UK)         |
| R152     | 1-249-417-11 | CARBON      | 1K 5% 1/4W<br>(EXCEPT DB1080: AEP, UK)   | △R462    | 1-249-405-11 | CARBON                 | 100 5% 1/4W F                            |
| R153     | 1-249-421-11 | CARBON      | 2.2K 5% 1/4W                             | △R463    | 1-249-405-11 | CARBON                 | 100 5% 1/4W F                            |
| R154     | 1-249-421-11 | CARBON      | 2.2K 5% 1/4W                             | △R464    | 1-234-182-11 | ENCAPSULATED COMPONENT | 0.22 5W F<br>(EXCEPT DB1080: AEP, UK)    |
| R155     | 1-249-417-11 | CARBON      | 1K 5% 1/4W                               | △R464    | 1-234-572-21 | ENCAPSULATED COMPONENT | 0.22 5W F<br>(DB1080: AEP, UK)           |
| R156     | 1-249-417-11 | CARBON      | 1K 5% 1/4W                               | △R466    | 1-249-393-11 | CARBON                 | 10 5% 1/4W F                             |
| R157     | 1-249-421-11 | CARBON      | 2.2K 5% 1/4W                             |          |              |                        |  |
| R158     | 1-249-421-11 | CARBON      | 2.2K 5% 1/4W                             |          |              |                        |  |
| R159     | 1-249-417-11 | CARBON      | 1K 5% 1/4W                               |          |              |                        |  |
| R160     | 1-249-417-11 | CARBON      | 1K 5% 1/4W                               |          |              |                        |  |
| R161     | 1-249-417-11 | CARBON      | 1K 5% 1/4W                               |          |              |                        |  |
| R181     | 1-249-417-11 | CARBON      | 1K 5% 1/4W<br>(DA2ES)                    |          |              |                        |  |
| R401     | 1-249-427-11 | CARBON      | 6.8K 5% 1/4W                             |          |              |                        |  |
| R402     | 1-243-115-22 | CARBON      | 1K 5% 1/4W<br>(DB1080: AEP, UK)          |          |              |                        |  |
| R402     | 1-249-417-11 | CARBON      | 1K 5% 1/4W<br>(EXCEPT DB1080: AEP, UK)   |          |              |                        |  |
| R403     | 1-243-163-22 | CARBON      | 100K 5% 1/4W<br>(DB1080: AEP, UK)        |          |              |                        |  |
| R403     | 1-249-441-11 | CARBON      | 100K 5% 1/4W<br>(EXCEPT DB1080: AEP, UK) |          |              |                        |  |

The components identified by mark △ or dotted line with mark △ are critical for safety. Replace only with part number specified.

Les composants identifiés par une marque △ sont critiques pour la sécurité. Ne les remplacer que par une pièce portant le numéro spécifié.

# STR-DA2ES/DB1080

## MAIN

| Ref. No. | Part No.     | Description            | Remark                                   | Ref. No. | Part No.     | Description            | Remark                                   |
|----------|--------------|------------------------|--|----------|--------------|------------------------|--|
| △ R467   | 1-249-393-11 | CARBON                 | 10 5% 1/4W F                             | R560     | 1-249-422-11 | CARBON                 | 2.7K 5% 1/4W<br>(EXCEPT DB1080: AEP, UK) |
| R471     | 1-243-163-22 | CARBON                 | 100K 5% 1/4W<br>(DB1080: AEP, UK)        | R560     | 1-249-683-31 | CARBON                 | 2.7K 5% 1/2W<br>(DB1080: AEP, UK)        |
| R471     | 1-249-441-11 | CARBON                 | 100K 5% 1/4W<br>(EXCEPT DB1080: AEP, UK) | R561     | 1-249-439-11 | CARBON                 | 68K 5% 1/4W<br>(EXCEPT DB1080: AEP, UK)  |
| R501     | 1-249-427-11 | CARBON                 | 6.8K 5% 1/4W                             | R561     | 1-249-494-11 | CARBON                 | 68K 5% 1/2W<br>DB1080: AEP, UK)          |
| R502     | 1-243-115-22 | CARBON                 | 1K 5% 1/4W<br>(DB1080: AEP, UK)          | △ R562   | 1-249-405-11 | CARBON                 | 100 5% 1/4W F                            |
| R502     | 1-249-417-11 | CARBON                 | 1K 5% 1/4W<br>(EXCEPT DB1080: AEP, UK)   | △ R563   | 1-249-405-11 | CARBON                 | 100 5% 1/4W F                            |
| R503     | 1-243-163-22 | CARBON                 | 100K 5% 1/4W<br>(DB1080: AEP, UK)        | △ R564   | 1-234-182-11 | ENCAPSULATED COMPONENT | 0.22 5W F<br>(EXCEPT DB1080: AEP, UK)    |
| R503     | 1-249-441-11 | CARBON                 | 100K 5% 1/4W<br>(EXCEPT DB1080: AEP, UK) | △ R564   | 1-234-572-21 | ENCAPSULATED COMPONENT | 0.22 5W F<br>(DB1080: AEP, UK)           |
| R504     | 1-249-417-11 | CARBON                 | 1K 5% 1/4W                               | △ R566   | 1-249-393-11 | CARBON                 | 10 5% 1/4W F                             |
| R507     | 1-249-433-11 | CARBON                 | 22K 5% 1/4W                              | △ R567   | 1-249-393-11 | CARBON                 | 10 5% 1/4W F                             |
| R508     | 1-243-115-22 | CARBON                 | 1K 5% 1/4W<br>(DB1080: AEP, UK)          | R571     | 1-243-163-22 | CARBON                 | 100K 5% 1/4W<br>(DB1080: AEP, UK)        |
| R508     | 1-249-417-11 | CARBON                 | 1K 5% 1/4W<br>(EXCEPT DB1080: AEP, UK)   | R571     | 1-249-441-11 | CARBON                 | 100K 5% 1/4W<br>(EXCEPT DB1080: AEP, UK) |
| R509     | 1-243-159-22 | CARBON                 | 68K 5% 1/4W<br>(DB1080: AEP, UK)         | R601     | 1-249-427-11 | CARBON                 | 6.8K 5% 1/4W                             |
| R509     | 1-249-439-11 | CARBON                 | 68K 5% 1/4W<br>(EXCEPT DB1080: AEP, UK)  | R602     | 1-243-115-22 | CARBON                 | 1K 5% 1/4W<br>(DB1080: AEP, UK)          |
| R510     | 1-249-422-11 | CARBON                 | 2.7K 5% 1/4W<br>(EXCEPT DB1080: AEP, UK) | R602     | 1-249-417-11 | CARBON                 | 1K 5% 1/4W<br>(EXCEPT DB1080: AEP, UK)   |
| R510     | 1-249-683-31 | CARBON                 | 2.7K 5% 1/2W<br>(DB1080: AEP, UK)        | R603     | 1-243-163-22 | CARBON                 | 100K 5% 1/4W<br>(DB1080: AEP, UK)        |
| R511     | 1-249-439-11 | CARBON                 | 68K 5% 1/4W<br>(EXCEPT DB1080: AEP, UK)  | R603     | 1-249-441-11 | CARBON                 | 100K 5% 1/4W<br>(EXCEPT DB1080: AEP, UK) |
| R511     | 1-249-494-11 | CARBON                 | 68K 5% 1/2W<br>(DB1080: AEP, UK)         | R604     | 1-249-417-11 | CARBON                 | 1K 5% 1/4W                               |
| △ R512   | 1-249-405-11 | CARBON                 | 100 5% 1/4W F                            | R607     | 1-249-433-11 | CARBON                 | 22K 5% 1/4W                              |
| △ R513   | 1-249-405-11 | CARBON                 | 100 5% 1/4W F                            | R608     | 1-243-115-22 | CARBON                 | 1K 5% 1/4W<br>(DB1080: AEP, UK)          |
| △ R514   | 1-234-182-11 | ENCAPSULATED COMPONENT | 0.22 5W F<br>(EXCEPT DB1080: AEP, UK)    | R608     | 1-249-417-11 | CARBON                 | 1K 5% 1/4W<br>(EXCEPT DB1080: AEP, UK)   |
| △ R514   | 1-234-572-21 | ENCAPSULATED COMPONENT | 0.22 5W F<br>(DB1080: AEP, UK)           | R609     | 1-243-159-22 | CARBON                 | 68K 5% 1/4W<br>(DB1080: AEP, UK)         |
| △ R516   | 1-249-393-11 | CARBON                 | 10 5% 1/4W F                             | R609     | 1-249-439-11 | CARBON                 | 68K 5% 1/4W<br>(EXCEPT DB1080: AEP, UK)  |
| △ R517   | 1-249-393-11 | CARBON                 | 10 5% 1/4W F                             | R610     | 1-249-422-11 | CARBON                 | 2.7K 5% 1/4W<br>(EXCEPT DB1080: AEP, UK) |
| R521     | 1-243-163-22 | CARBON                 | 100K 5% 1/4W<br>(DB1080: AEP, UK)        | R610     | 1-249-683-31 | CARBON                 | 2.7K 5% 1/2W<br>(DB1080: AEP, UK)        |
| R521     | 1-249-441-11 | CARBON                 | 100K 5% 1/4W<br>(EXCEPT DB1080: AEP, UK) | R611     | 1-249-439-11 | CARBON                 | 68K 5% 1/4W<br>(EXCEPT DB1080: AEP, UK)  |
| R551     | 1-249-427-11 | CARBON                 | 6.8K 5% 1/4W                             | R611     | 1-249-494-11 | CARBON                 | 68K 5% 1/2W<br>(DB1080: AEP, UK)         |
| R552     | 1-243-115-22 | CARBON                 | 1K 5% 1/4W<br>(DB1080: AEP, UK)          | △ R612   | 1-249-405-11 | CARBON                 | 100 5% 1/4W F                            |
| R552     | 1-249-417-11 | CARBON                 | 1K 5% 1/4W<br>(EXCEPT DB1080: AEP, UK)   | △ R613   | 1-249-405-11 | CARBON                 | 100 5% 1/4W F                            |
| R553     | 1-243-163-22 | CARBON                 | 100K 5% 1/4W<br>(DB1080: AEP, UK)        | △ R614   | 1-234-182-11 | ENCAPSULATED COMPONENT | 0.22 5W F<br>(EXCEPT DB1080: AEP, UK)    |
| R553     | 1-249-441-11 | CARBON                 | 100K 5% 1/4W<br>(EXCEPT DB1080: AEP, UK) | △ R614   | 1-234-572-21 | ENCAPSULATED COMPONENT | 0.22 5W F<br>(DB1080: AEP, UK)           |
| R558     | 1-243-115-22 | CARBON                 | 1K 5% 1/4W<br>(DB1080: AEP, UK)          | △ R616   | 1-249-393-11 | CARBON                 | 10 5% 1/4W F                             |
| R558     | 1-249-417-11 | CARBON                 | 1K 5% 1/4W<br>(EXCEPT DB1080: AEP, UK)   | △ R617   | 1-249-393-11 | CARBON                 | 10 5% 1/4W F                             |
| R559     | 1-243-159-22 | CARBON                 | 68K 5% 1/4W<br>(DB1080: AEP, UK)         | R621     | 1-243-163-22 | CARBON                 | 100K 5% 1/4W<br>(DB1080: AEP, UK)        |
| R559     | 1-249-439-11 | CARBON                 | 68K 5% 1/4W<br>(EXCEPT DB1080: AEP, UK)  | R621     | 1-249-441-11 | CARBON                 | 100K 5% 1/4W<br>(EXCEPT DB1080: AEP, UK) |
|          |              |                        |  | R651     | 1-249-427-11 | CARBON                 | 6.8K 5% 1/4W                             |
|          |              |                        |  | R652     | 1-243-115-22 | CARBON                 | 1K 5% 1/4W<br>(DB1080: AEP, UK)          |

The components identified by mark △ or dotted line with mark △ are critical for safety. Replace only with part number specified.

Les composants identifiés par une marque △ sont critiques pour la sécurité. Ne les remplacer que par une pièce portant le numéro spécifié.

|      |     |
|------|-----|
| MAIN | MIX |
|------|-----|

| Ref. No.   | Part No.     | Description            | Remark                                   | Ref. No.      | Part No.     | Description  | Remark       |                      |     |  |  |
|--|--------------|------------------------|--|---------------|--------------|--|--------------|----------------------|-----|--|--|
| R652   | 1-249-417-11 | CARBON                 | 1K 5% 1/4W<br>(EXCEPT DB1080: AEP, UK)   | R815          | 1-249-429-11 | CARBON   | 10K 5% 1/4W  |                      |     |  |  |
| R653   | 1-243-163-22 | CARBON                 | 100K 5% 1/4W<br>(DB1080: AEP, UK)        | R816          | 1-249-429-11 | CARBON   | 10K 5% 1/4W  |                      |     |  |  |
| R653   | 1-249-441-11 | CARBON                 | 100K 5% 1/4W<br>(EXCEPT DB1080: AEP, UK) | R817          | 1-249-429-11 | CARBON   | 10K 5% 1/4W  |                      |     |  |  |
| R654   | 1-243-115-22 | CARBON                 | 1K 5% 1/4W<br>(DB1080: AEP, UK)          | R818          | 1-249-429-11 | CARBON   | 10K 5% 1/4W  |                      |     |  |  |
| R654   | 1-249-417-11 | CARBON                 | 1K 5% 1/4W<br>(EXCEPT DB1080: AEP, UK)   | △R820         | 1-249-393-11 | CARBON   | 10 5% 1/4W F |                      |     |  |  |
| R658   | 1-243-115-22 | CARBON                 | 1K 5% 1/4W<br>(DB1080: AEP, UK)          | △R822         | 1-249-393-11 | CARBON   | 10 5% 1/4W F |                      |     |  |  |
| R658   | 1-249-417-11 | CARBON                 | 1K 5% 1/4W<br>(EXCEPT DB1080: AEP, UK)   | △R824         | 1-215-867-00 | METAL OXIDE  | 470 5% 1W F  |                      |     |  |  |
| R659   | 1-243-159-22 | CARBON                 | 68K 5% 1/4W<br>(DB1080: AEP, UK)         | △R825         | 1-215-867-00 | METAL OXIDE  | 470 5% 1W F  |                      |     |  |  |
| R659   | 1-249-439-11 | CARBON                 | 68K 5% 1/4W<br>(EXCEPT DB1080: AEP, UK)  | R826          | 1-247-903-00 | CARBON   | 1M 5% 1/4W   |                      |     |  |  |
| R660   | 1-249-422-11 | CARBON                 | 2.7K 5% 1/4W<br>(EXCEPT DB1080: AEP, UK) | R827          | 1-249-417-11 | CARBON   | 1K 5% 1/4W   |                      |     |  |  |
| R660   | 1-249-683-31 | CARBON                 | 2.7K 5% 1/2W<br>(DB1080: AEP, UK)        | R828          | 1-249-425-11 | CARBON   | 4.7K 5% 1/4W |                      |     |  |  |
| R661   | 1-249-439-11 | CARBON                 | 68K 5% 1/4W<br>(EXCEPT DB1080: AEP, UK)  | △R829         | 1-249-393-11 | CARBON   | 10 5% 1/4W F |                      |     |  |  |
| R661   | 1-249-494-11 | CARBON                 | 68K 5% 1/2W<br>(DB1080: AEP, UK)         | △R830         | 1-249-393-11 | CARBON   | 10 5% 1/4W F |                      |     |  |  |
| △R662  | 1-249-405-11 | CARBON                 | 100 5% 1/4W F                            | R831          | 1-249-429-11 | CARBON   | 10K 5% 1/4W  |                      |     |  |  |
| △R663  | 1-249-405-11 | CARBON                 | 100 5% 1/4W F                            | R832          | 1-249-425-11 | CARBON   | 4.7K 5% 1/4W |                      |     |  |  |
| △R664  | 1-234-182-11 | ENCAPSULATED COMPONENT | 0.22 5W F<br>(EXCEPT DB1080: AEP, UK)    | R833          | 1-247-903-00 | CARBON   | 1M 5% 1/4W   |                      |     |  |  |
| △R664  | 1-234-572-21 | ENCAPSULATED COMPONENT | 0.22 5W F<br>(DB1080: AEP, UK)           | R836          | 1-249-429-11 | CARBON   | 10K 5% 1/4W  |                      |     |  |  |
| △R666  | 1-249-393-11 | CARBON                 | 10 5% 1/4W F                             | R837          | 1-249-429-11 | CARBON   | 10K 5% 1/4W  |                      |     |  |  |
| △R667  | 1-249-393-11 | CARBON                 | 10 5% 1/4W F                             | R838          | 1-249-421-11 | CARBON   | 2.2K 5% 1/4W |                      |     |  |  |
| R671   | 1-243-163-22 | CARBON                 | 100K 5% 1/4W<br>(DB1080: AEP, UK)        | R839          | 1-249-429-11 | CARBON   | 10K 5% 1/4W  |                      |     |  |  |
| R671   | 1-249-441-11 | CARBON                 | 100K 5% 1/4W<br>(EXCEPT DB1080: AEP, UK) | △R840         | 1-249-399-11 | CARBON   | 33 5% 1/4W F |                      |     |  |  |
| R701   | 1-249-427-11 | CARBON                 | 6.8K 5% 1/4W                             | △R841         | 1-249-399-11 | CARBON   | 33 5% 1/4W F |                      |     |  |  |
| R702   | 1-243-115-22 | CARBON                 | 1K 5% 1/4W<br>(DB1080: AEP, UK)          | △R845         | 1-249-399-11 | CARBON   | 33 5% 1/4W F |                      |     |  |  |
| R702   | 1-249-417-11 | CARBON                 | 1K 5% 1/4W<br>(EXCEPT DB1080: AEP, UK)   | △R846         | 1-249-399-11 | CARBON   | 33 5% 1/4W F |                      |     |  |  |
| R703   | 1-243-163-22 | CARBON                 | 100K 5% 1/4W<br>(DB1080: AEP, UK)        | R847          | 1-249-421-11 | CARBON   | 2.2K 5% 1/4W |                      |     |  |  |
| R703   | 1-249-441-11 | CARBON                 | 100K 5% 1/4W<br>(EXCEPT DB1080: AEP, UK) | R848          | 1-249-429-11 | CARBON   | 10K 5% 1/4W  |                      |     |  |  |
| R721   | 1-243-163-22 | CARBON                 | 100K 5% 1/4W<br>(DB1080: AEP, UK)        | △R849         | 1-249-393-11 | CARBON   | 10 5% 1/4W F |                      |     |  |  |
| R721   | 1-249-441-11 | CARBON                 | 100K 5% 1/4W<br>(EXCEPT DB1080: AEP, UK) | < RELAY >     |              |  |              |                      |     |  |  |
| R732   | 1-249-441-11 | CARBON                 | 100K 5% 1/4W<br>(EXCEPT DB1080: AEP, UK) | RY801         | 1-515-920-11 | RELAY (24V)  |              |                      |     |  |  |
| △R790  | 1-249-393-11 | CARBON                 | 10 5% 1/4W F                             | RY803         | 1-515-920-11 | RELAY (24V)  |              |                      |     |  |  |
| △R791  | 1-215-873-81 | METAL OXIDE            | 4.7K 5% 1W F                             | RY805         | 1-515-793-11 | RELAY  |              |                      |     |  |  |
| R792   | 1-249-413-11 | CARBON                 | 470 5% 1/4W                              | RY806         | 1-515-920-11 | RELAY (24V)  |              |                      |     |  |  |
| △R795  | 1-249-393-11 | CARBON                 | 10 5% 1/4W F                             | RY807         | 1-755-483-11 | RELAY  |              |                      |     |  |  |
| R796   | 1-249-425-11 | CARBON                 | 4.7K 5% 1/4W                             | < TERMINAL >  |              |  |              |                      |     |  |  |
| R797   | 1-249-413-11 | CARBON                 | 470 5% 1/4W                              | TM501         | 1-694-935-11 | TERMINAL BOARD (SP) (8P) (SPEAKERS<br>SURROUND/CENTER/SURROUND BACK) | (DA2ES)      |                      |     |  |  |
| R812   | 1-249-421-11 | CARBON                 | 2.2K 5% 1/4W                             | TM501         | 1-694-935-21 | TERMINAL BOARD (SP) (8P) (SPEAKERS<br>SURROUND/CENTER/SURROUND BACK) | (DB1080)     |                      |     |  |  |
| R813   | 1-249-421-11 | CARBON                 | 2.2K 5% 1/4W                             | *****         |              |  |              |                      |     |  |  |
| R814   | 1-249-421-11 | CARBON                 | 2.2K 5% 1/4W                             |               | 1-685-267-11 | MIX BOARD  | *****        |                      |     |  |  |
| <div style="border: 1px solid black; padding: 5px;">                 The components identified by mark △ or dotted line with mark △ are critical for safety. Replace only with part number specified.             </div> |              |                        |  | < CAPACITOR > |              |  |              |                      |     |  |  |
|  |              |                        |  | C753          | 1-127-876-11 | CERAMIC  | 0.01uF       | 10%                  | 50V |  |  |
|  |              |                        |  | C754          | 1-128-809-11 | CERAMIC  | 100PF        | 5%                   | 50V |  |  |
|  |              |                        |  | C755          | 1-126-965-11 | ELECT  | 22uF         | 20%                  | 50V |  |  |
|  |              |                        |  | C755          | 1-128-858-11 | ELECT  | 22uF         | 20%                  | 50V |  |  |
|  |              |                        |  | C755          | 1-135-744-11 | ELECT  | 22uF         |                      | 50V |  |  |
|  |              |                        |  | C765          | 1-126-965-11 | ELECT  | 22uF         | 20%                  | 50V |  |  |
|  |              |                        |  | C765          | 1-128-858-11 | ELECT  | 22uF         | 20%                  | 50V |  |  |
|  |              |                        |  |               |              |  |              | (DB1080: SP, MY, KR) |     |  |  |
|  |              |                        |  |               |              |  |              | (DB1080: AEP, UK)    |     |  |  |

|  |  |
|--|--|
| The components identified by mark △ or dotted line with mark △ are critical for safety. Replace only with part number specified. | Les composants identifiés par une marque △ sont critiques pour la sécurité. Ne les remplacer que par une pièce portant le numéro spécifié. |
|--|--|

# STR-DA2ES/DB1080

**MIX**   **MUTING**   **POWER**   **S-VIDEO**

| Ref. No.      | Part No.     | Description                      | Remark                   |
|---------------|--------------|----------------------------------|--------------------------|
| C765          | 1-135-744-11 | ELECT 22uF                       | 50V<br>(DB1080: AEP, UK) |
| < CONNECTOR > |              |                                  |                          |
| CN751         | 1-779-439-11 | PIN, BOARD TO BOARD (L TYPE) 13P |                          |
| < IC >        |              |                                  |                          |
| IC751         | 8-759-590-10 | IC TC9273F-012 (EL)              |                          |
| IC752         | 8-759-636-74 | IC M5218AP-22                    |                          |
| IC753         | 8-759-636-74 | IC M5218AP-22                    |                          |
| < RESISTOR >  |              |                                  |                          |
| R751          | 1-249-429-11 | CARBON 10K                       | 5% 1/4W                  |
| R752          | 1-249-431-11 | CARBON 15K                       | 5% 1/4W                  |
| R753          | 1-249-425-11 | CARBON 4.7K                      | 5% 1/4W                  |
| R754          | 1-249-429-11 | CARBON 10K                       | 5% 1/4W                  |
| R755          | 1-249-429-11 | CARBON 10K                       | 5% 1/4W                  |
| R756          | 1-249-429-11 | CARBON 10K                       | 5% 1/4W                  |
| R757          | 1-249-399-11 | CARBON 33                        | 5% 1/4W                  |
| R758          | 1-249-417-11 | CARBON 1K                        | 5% 1/4W                  |
| R759          | 1-249-431-11 | CARBON 15K                       | 5% 1/4W                  |
| R761          | 1-249-429-11 | CARBON 10K                       | 5% 1/4W                  |
| R762          | 1-249-431-11 | CARBON 15K                       | 5% 1/4W                  |
| R763          | 1-249-425-11 | CARBON 4.7K                      | 5% 1/4W                  |
| R764          | 1-249-429-11 | CARBON 10K                       | 5% 1/4W                  |
| R765          | 1-249-429-11 | CARBON 10K                       | 5% 1/4W                  |
| R766          | 1-249-429-11 | CARBON 10K                       | 5% 1/4W                  |
| R767          | 1-249-399-11 | CARBON 33                        | 5% 1/4W                  |
| R769          | 1-249-431-11 | CARBON 15K                       | 5% 1/4W                  |

\*\*\*\*\*

1-684-332-11 MUTING BOARD

\*\*\*\*\*

< CONNECTOR >

\* CN1951 1-695-808-11 CONNECTOR, PC BOARD 8P

< LED >

D1951 8-719-046-39 LED SEL5821A-TP15 (AUDIO SPLIT)

< RESISTOR >

R1951 1-249-417-11 CARBON 1K 5% 1/4W

R1952 1-249-421-11 CARBON 2.2K 5% 1/4W

R1953 1-249-409-11 CARBON 220 5% 1/4W

< ROTARY ENCODER >

RV1951 1-467-808-21 ENCODER, ROTARY (FUNCTION)

< SWITCH >

S1951 1-762-875-21 SWITCH, KEYBOARD (INPUT MODE)

S1952 1-762-875-21 SWITCH, KEYBOARD (AUDIO SPLIT)

S1953 1-762-875-21 SWITCH, KEYBOARD (MUTING)

\*\*\*\*\*

| Ref. No.      | Part No.     | Description                                     | Remark  |
|---------------|--------------|---|---------|
|               | 1-684-333-11 | POWER BOARD<br>*****                            |         |
| < CAPACITOR > |              |   |         |
| C1901         | 1-126-947-11 | ELECT 47uF                                      | 20% 16V |
| < CONNECTOR > |              |   |         |
| CN1901        | 1-770-404-11 | HOUSING, CONNECTOR (PC BOARD) 11P               |         |
| < DIODE >     |              |   |         |
| D1901         | 8-719-911-19 | DIODE 1SS119-25 (EXCEPT DB1080: E)              |         |
| D1902         | 8-719-911-19 | DIODE 1SS119-25 (EXCEPT DB1080: E)              |         |
| < IC >        |              |   |         |
| IC1901        | 8-759-826-34 | IC NJL74H400A<br>(REMOTE CONTROL RECEIVER)      |         |
| < RESISTOR >  |              |   |         |
| R1901         | 1-247-807-31 | CARBON 100                                      | 5% 1/4W |
| R1902         | 1-249-393-11 | CARBON 10                                       | 5% 1/4W |
| R1903         | 1-249-433-11 | CARBON 22K                                      | 5% 1/4W |
| R1904         | 1-249-417-11 | CARBON 1K                                       | 5% 1/4W |
| R1905         | 1-249-433-11 | CARBON 22K                                      | 5% 1/4W |
| < SWITCH >    |              |   |         |
| S1901         | 1-762-268-11 | SWITCH, ROTARY (SPEAKERS)<br>(EXCEPT DB1080: E) |         |
| S1901         | 1-786-151-11 | SWITCH, ROTARY (SPEAKERS) (DB1080: E)           |         |
| S1902         | 1-762-875-21 | SWITCH, KEYBOARD (DIMMER)                       |         |
| S1903         | 1-762-875-21 | SWITCH, KEYBOARD (DISPLAY)                      |         |
| S1904         | 1-762-875-21 | SWITCH, KEYBOARD (I/⏻)                          |         |

\*\*\*\*\*

A-4728-488-A S-VIDEO BOARD, COMPLETE (DA2ES)

A-4728-504-A S-VIDEO BOARD, COMPLETE (DB1080)

\*\*\*\*\*

< CAPACITOR >

C852 1-128-805-11 CERAMIC 47PF 5% 50V

C853 1-128-805-11 CERAMIC 47PF 5% 50V

C854 1-128-825-11 CERAMIC 2200PF 5% 50V

C855 1-136-165-00 MYLAR 0.1uF 5% 50V

C856 1-136-165-00 MYLAR 0.1uF 5% 50V

C857 1-136-165-00 MYLAR 0.1uF 5% 50V

C858 1-126-964-11 ELECT 10uF 20% 50V

C859 1-126-964-11 ELECT 10uF 20% 50V

C860 1-126-964-11 ELECT 10uF 20% 50V

C861 1-128-825-11 CERAMIC 2200PF 5% 50V

C862 1-128-825-11 CERAMIC 2200PF 5% 50V

C863 1-127-888-11 CERAMIC 0.1uF 10% 50V

C864 1-136-165-00 MYLAR 0.1uF 5% 50V

C865 1-128-817-11 CERAMIC 470PF 5% 50V

C866 1-126-947-11 ELECT 47uF 20% 16V

(DA2ES)

C867 1-127-888-11 CERAMIC 0.1uF 10% 50V

C868 1-128-817-11 CERAMIC 470PF 5% 50V

(DA2ES)

S-VIDEO

SP

| Ref. No. | Part No.     | Description   | Remark |     |      | Ref. No.     | Part No.      | Description     | Remark |     |                          |
|----------|--------------|---|--------|-----|------|--------------|---------------|-----------------|--------|-----|--------------------------|
| C869     | 1-127-888-11 | CERAMIC   | 0.1uF  | 10% | 50V  | R866         | 1-249-427-11  | CARBON          | 6.8K   | 5%  | 1/4W                     |
| C870     | 1-126-964-11 | ELECT   | 10uF   | 20% | 50V  |              |               |                 |        |     | (DA2ES)                  |
| C872     | 1-127-888-11 | CERAMIC   | 0.1uF  | 10% | 50V  | R867         | 1-249-429-11  | CARBON          | 10K    | 5%  | 1/4W                     |
|          |              | < CONNECTOR >   |        |     |      |              |               |                 |        |     | (DA2ES)                  |
| * CN851  | 1-569-306-11 | SOCKET, CONNECTOR (L TYRE) 15P (DB1080)                           |        |     |      | R868         | 1-249-427-11  | CARBON          | 6.8K   | 5%  | 1/4W                     |
| CN851    | 1-569-308-11 | SOCKET, CONNECTOR (L TYRE) 19P (DA2ES)                            |        |     |      |              |               |                 |        |     | (DA2ES)                  |
| * CN853  | 1-564-720-11 | PIN, CONNECTOR (SMALL TYPE) 4P                                    |        |     |      | R869         | 1-249-429-11  | CARBON          | 10K    | 5%  | 1/4W                     |
|          |              | < DIODE >   |        |     |      |              |               |                 |        |     | (DA2ES)                  |
| D850     | 8-719-911-19 | DIODE 1SS119-25   |        |     |      | R872         | 1-247-807-31  | CARBON          | 100    | 5%  | 1/4W                     |
| D851     | 8-719-911-19 | DIODE 1SS119-25   |        |     |      |              |               |                 |        |     | (DA2ES)                  |
|          |              | < IC >  |        |     |      | R873         | 1-249-429-11  | CARBON          | 10K    | 5%  | 1/4W                     |
| IC850    | 6-701-890-01 | IC NJM2595D   |        |     |      |              |               |                 |        |     | (DA2ES)                  |
| IC851    | 8-759-666-33 | IC NJM2145D (DA2ES)   |        |     |      | R874         | 1-247-807-31  | CARBON          | 100    | 5%  | 1/4W                     |
| IC852    | 6-701-890-01 | IC NJM2595D   |        |     |      |              |               |                 |        |     | (DA2ES)                  |
|          |              | < CONNECTOR/JACK >  |        |     |      | *****        |               |                 |        |     |                          |
| J850     | 1-764-676-11 | CONNECTOR (ROUND TYPE)<br>(TV/SAT S-VIDEO IN), DVD/LD S-VIDEO IN) |        |     |      | 1-684-338-11 | SP BOARD      |                 |        |     |                          |
| J851     | 1-537-943-11 | CONNECTOR (DIN) 1P (MONITOR S-VIDEO IN)                           |        |     |      |              | *****         |                 |        |     |                          |
| J852     | 1-764-676-11 | CONNECTOR (ROUND TYPE)<br>(VIDEO 1 S-VIDEO IN/OUT)                |        |     |      |              | < CAPACITOR > |                 |        |     |                          |
| J853     | 1-563-330-11 | JACK (VIDEO 1 CTRL S OUT)) (DA2ES)                                |        |     |      | C445         | 1-128-809-11  | CERAMIC         | 100PF  | 5%  | 50V                      |
| J854     | 1-563-330-11 | JACK (DVD/LD CTRL S OUT) (DA2ES)                                  |        |     |      |              |               |                 |        |     | (DA2ES/DB1080: AEP, UK)  |
| J855     | 1-563-330-11 | JACK (TV/SAT CTRL S STATUS IN) (DA2ES)                            |        |     |      | C445         | 1-128-817-11  | CERAMIC         | 470PF  | 5%  | 50V                      |
| J856     | 1-563-330-11 | JACK (MONITOR CTRL S OUT) (DA2ES)                                 |        |     |      |              |               |                 |        |     | (DB1080: E, SP, MY, KR)  |
|          |              | < TRANSISTOR >  |        |     |      | C446         | 1-127-872-11  | CERAMIC         | 4700PF | 10% | 50V                      |
| Q850     | 8-729-116-02 | TRANSISTOR BA1A4M-TP (DA2ES)                                      |        |     |      |              |               |                 |        |     | (DB1080)                 |
| Q851     | 8-729-422-57 | TRANSISTOR UN4111 (DA2ES)   |        |     |      | C449         | 1-126-965-11  | ELECT           | 22uF   | 20% | 50V                      |
| Q852     | 8-729-422-57 | TRANSISTOR UN4111 (DA2ES)   |        |     |      |              |               |                 |        |     | (EXCEPT DB1080: AEP, UK) |
| Q853     | 8-729-116-02 | TRANSISTOR BA1A4M-TP (DA2ES)                                      |        |     |      | C449         | 1-128-858-11  | ELECT           | 22uF   | 20% | 50V                      |
|          |              | < RESISTOR >  |        |     |      |              |               |                 |        |     | (DB1080: AEP, UK)        |
| R850     | 1-249-417-11 | CARBON  | 1K     | 5%  | 1/4W | C495         | 1-128-809-11  | CERAMIC         | 100PF  | 5%  | 50V                      |
|          |              |   |        |     |      |              |               |                 |        |     | (DA2ES/DB1080: AEP, UK)  |
| R851     | 1-249-417-11 | CARBON  | 1K     | 5%  | 1/4W | C495         | 1-128-817-11  | CERAMIC         | 470PF  | 5%  | 50V                      |
|          |              |   |        |     |      |              |               |                 |        |     | (DB1080: E, SP, MY, KR)  |
| R852     | 1-249-417-11 | CARBON  | 1K     | 5%  | 1/4W | C496         | 1-127-872-11  | CERAMIC         | 4700PF | 10% | 50V                      |
|          |              |   |        |     |      |              |               |                 |        |     | (DB1080)                 |
| R853     | 1-249-417-11 | CARBON  | 1K     | 5%  | 1/4W | C497         | 1-128-809-11  | CERAMIC         | 100PF  | 5%  | 50V                      |
|          |              |   |        |     |      | C499         | 1-126-965-11  | ELECT           | 22uF   | 20% | 50V                      |
| R854     | 1-247-804-11 | CARBON  | 75     | 5%  | 1/4W |              |               |                 |        |     | (EXCEPT DB1080: AEP, UK) |
|          |              |   |        |     |      | C499         | 1-128-858-11  | ELECT           | 22uF   | 20% | 50V                      |
| R855     | 1-247-804-11 | CARBON  | 75     | 5%  | 1/4W |              |               |                 |        |     | (DB1080: AEP, UK)        |
| R856     | 1-247-804-11 | CARBON  | 75     | 5%  | 1/4W | C549         | 1-126-965-11  | ELECT           | 22uF   | 20% | 50V                      |
| R857     | 1-247-804-11 | CARBON  | 75     | 5%  | 1/4W |              |               |                 |        |     | (EXCEPT DB1080: AEP, UK) |
| R858     | 1-247-804-11 | CARBON  | 75     | 5%  | 1/4W | C549         | 1-128-858-11  | ELECT           | 22uF   | 20% | 50V                      |
| R859     | 1-247-804-11 | CARBON  | 75     | 5%  | 1/4W |              |               |                 |        |     | (DB1080: AEP, UK)        |
| R860     | 1-247-804-11 | CARBON  | 75     | 5%  | 1/4W | C599         | 1-126-965-11  | ELECT           | 22uF   | 20% | 50V                      |
| R861     | 1-247-804-11 | CARBON  | 75     | 5%  | 1/4W |              |               |                 |        |     | (EXCEPT DB1080: AEP, UK) |
| R862     | 1-247-804-11 | CARBON  | 75     | 5%  | 1/4W | C599         | 1-128-858-11  | ELECT           | 22uF   | 20% | 50V                      |
| R863     | 1-247-804-11 | CARBON  | 75     | 5%  | 1/4W |              |               |                 |        |     | (DB1080: AEP, UK)        |
| R864     | 1-249-425-11 | CARBON  | 4.7K   | 5%  | 1/4W | C649         | 1-126-965-11  | ELECT           | 22uF   | 20% | 50V                      |
|          |              |   |        |     |      |              |               |                 |        |     | (EXCEPT DB1080: AEP, UK) |
|          |              |   |        |     |      | C649         | 1-128-858-11  | ELECT           | 22uF   | 20% | 50V                      |
|          |              |   |        |     |      |              |               |                 |        |     | (DB1080: AEP, UK)        |
|          |              |   |        |     |      | C699         | 1-126-965-11  | ELECT           | 22uF   | 20% | 50V                      |
|          |              |   |        |     |      |              |               |                 |        |     | (EXCEPT DB1080: AEP, UK) |
|          |              |   |        |     |      | C699         | 1-128-858-11  | ELECT           | 22uF   | 20% | 50V                      |
|          |              |   |        |     |      |              |               |                 |        |     | (DB1080: AEP, UK)        |
|          |              |   |        |     |      |              |               |                 |        |     | < DIODE >                |
| R865     | 1-249-429-11 | CARBON  | 10K    | 5%  | 1/4W | D448         | 8-719-911-19  | DIODE 1SS119-25 |        |     |                          |
|          |              |   |        |     |      | D449         | 8-719-911-19  | DIODE 1SS119-25 |        |     |                          |
|          |              |   |        |     |      |              |               |                 |        |     | (DA2ES)                  |

The components identified by mark  $\Delta$  or dotted line with mark  $\Delta$  are critical for safety. Replace only with part number specified.

Les composants identifiés par une marque  $\Delta$  sont critiques pour la sécurité. Ne les remplacer que par une pièce portant le numéro spécifié.

# STR-DA2ES/DB1080

**SP**   **SP-B**   **SW**

| Ref. No.      | Part No.     | Description   | Remark  |
|---------------|--------------|---|---|
| < JACK >      |              |   |   |
| J449          | 1-766-396-11 | JACK, PIN 4P (PRE OUT FRONT/SURROUND)                           |   |
| J699          | 1-784-017-11 | JACK, PIN 4P (PRE OUT CENTER/<br>SURROUND BACK, SUB WOOFER OUT) |   |
| < RESISTOR >  |              |   |   |
| △ R446        | 1-249-393-11 | CARBON  | 10    5%    1/4W F<br>(DB1080)                    |
| △ R447        | 1-249-393-11 | CARBON  | 10    5%    1/4W F                                |
| R448          | 1-249-417-11 | CARBON  | 1K    5%    1/4W                                  |
| R449          | 1-249-441-11 | CARBON  | 100K    5%    1/4W                                |
| △ R496        | 1-249-393-11 | CARBON  | 10    5%    1/4W F<br>(DB1080)                    |
| △ R497        | 1-249-393-11 | CARBON  | 10    5%    1/4W F                                |
| R498          | 1-249-417-11 | CARBON  | 1K    5%    1/4W                                  |
| R499          | 1-249-441-11 | CARBON  | 100K    5%    1/4W                                |
| R548          | 1-249-417-11 | CARBON  | 1K    5%    1/4W                                  |
| R549          | 1-249-441-11 | CARBON  | 100K    5%    1/4W                                |
| R598          | 1-249-417-11 | CARBON  | 1K    5%    1/4W                                  |
| R599          | 1-249-441-11 | CARBON  | 100K    5%    1/4W                                |
| R648          | 1-249-417-11 | CARBON  | 1K    5%    1/4W                                  |
| R649          | 1-249-441-11 | CARBON  | 100K    5%    1/4W                                |
| R698          | 1-249-417-11 | CARBON  | 1K    5%    1/4W                                  |
| R699          | 1-249-441-11 | CARBON  | 100K    5%    1/4W                                |
| R748          | 1-243-115-22 | CARBON  | 1K    5%    1/4W<br>(DB1080: AEP, UK)             |
| R748          | 1-249-417-11 | CARBON  | 1K    5%    1/4W<br>(EXCEPT DB1080: AEP, UK)      |
| < RELAY >     |              |   |   |
| RY448         | 1-515-920-11 | RELAY (24V)   |   |
| RY449         | 1-755-485-11 | RELAY   |   |
| RY549         | 1-755-485-11 | RELAY   |   |
| RY699         | 1-755-485-11 | RELAY   |   |
| < TERMINAL >  |              |   |   |
| TM449         | 1-694-933-11 | TERMINAL BOARD (4P) (FRONT A SPEAKERS)<br>(DA2ES)               |   |
| TM449         | 1-694-933-21 | TERMINAL BOARD (4P) (FRONT A SPEAKERS)<br>(DB1080)              |   |
| *****         |              |   |   |
|               | 1-685-199-11 | SP-B BOARD (EXCEPT DB1080: E)<br>*****                          |   |
| < CAPACITOR > |              |   |   |
| C443          | 1-127-872-11 | CERAMIC   | 4700PF    10%    50V<br>(EXCEPT DA2ES/DB1080: KR) |
| C444          | 1-128-809-11 | CERAMIC   | 100PF    5%    50V<br>(DA2ES)                     |
| C444          | 1-128-817-11 | CERAMIC   | 470PF    5%    50V<br>(EXCEPT DA2ES/DB1080: KR)   |
| C493          | 1-127-872-11 | CERAMIC   | 4700PF    10%    50V<br>(EXCEPT DA2ES/DB1080: KR) |
| C494          | 1-128-809-11 | CERAMIC   | 100PF    5%    50V<br>(DA2ES)                     |
| C494          | 1-128-817-11 | CERAMIC   | 470PF    5%    50V<br>(EXCEPT DA2ES/DB1080: KR)   |

| Ref. No.       | Part No.     | Description   | Remark   |
|----------------|--------------|---|--|
| < CONNECTOR >  |              |   |  |
| CN444          | 1-691-769-11 | PLUG (MICRO CONNECTOR) 7P<br>(EXCEPT DB1080: E)         |  |
| < DIODE >      |              |   |  |
| D444           | 8-719-911-19 | DIODE 1SS119-25 (EXCEPT DB1080: E)                      |  |
| < TRANSISTOR > |              |   |  |
| Q444           | 8-729-119-78 | TRANSISTOR 2SC2785-HFE<br>(EXCEPT DB1080: E)            |  |
| < RESISTOR >   |              |   |  |
| R441           | 1-249-429-11 | CARBON  | 10K    5%    1/4W<br>(EXCEPT DB1080: E)        |
| R442           | 1-249-421-11 | CARBON  | 2.2K    5%    1/4W<br>(EXCEPT DB1080: E)       |
| △ R443         | 1-249-393-11 | CARBON  | 10    5%    1/4W F<br>(EXCEPT DA2ES/DB1080: E) |
| △ R444         | 1-249-393-11 | CARBON  | 10    5%    1/4W F<br>(EXCEPT DB1080: E)       |
| △ R493         | 1-249-393-11 | CARBON  | 10    5%    1/4W F<br>(EXCEPT DA2ES/DB1080: E) |
| < RELAY >      |              |   |  |
| RY444          | 1-515-920-11 | RELAY (24V) (EXCEPT DB1080: E)                          |  |
| < TERMINAL >   |              |   |  |
| TM444          | 1-537-925-52 | TERMINAL BOARD (FRONT B SPEAKERS)<br>(EXCEPT DB1080: E) |  |
| *****          |              |   |  |
|                | A-4728-475-A | SW BOARD, COMPLETE<br>*****                             |  |
| < CONNECTOR >  |              |   |  |
| CN1051         | 1-770-404-11 | HOUSING, CONNECTOR (PC BOARD) 11P                       |  |
| < RESISTOR >   |              |   |  |
| R1052          | 1-249-417-11 | CARBON  | 1K    5%    1/4W                               |
| R1053          | 1-249-421-11 | CARBON  | 2.2K    5%    1/4W                             |
| R1054          | 1-249-421-11 | CARBON  | 2.2K    5%    1/4W                             |
| R1055          | 1-249-425-11 | CARBON  | 4.7K    5%    1/4W                             |
| R1056          | 1-249-429-11 | CARBON  | 10K    5%    1/4W                              |
| R1057          | 1-249-433-11 | CARBON  | 22K    5%    1/4W                              |
| R1058          | 1-249-437-11 | CARBON  | 47K    5%    1/4W                              |
| R1062          | 1-249-417-11 | CARBON  | 1K    5%    1/4W                               |
| R1063          | 1-249-421-11 | CARBON  | 2.2K    5%    1/4W                             |
| R1064          | 1-249-421-11 | CARBON  | 2.2K    5%    1/4W                             |
| R1065          | 1-249-425-11 | CARBON  | 4.7K    5%    1/4W                             |
| R1066          | 1-249-429-11 | CARBON  | 10K    5%    1/4W                              |
| R1067          | 1-249-433-11 | CARBON  | 22K    5%    1/4W                              |
| R1068          | 1-249-437-11 | CARBON  | 47K    5%    1/4W                              |
| R1073          | 1-249-421-11 | CARBON  | 2.2K    5%    1/4W                             |
| R1074          | 1-249-421-11 | CARBON  | 2.2K    5%    1/4W                             |
| R1075          | 1-249-425-11 | CARBON  | 4.7K    5%    1/4W                             |
| R1076          | 1-249-429-11 | CARBON  | 10K    5%    1/4W                              |
| R1077          | 1-249-433-11 | CARBON  | 22K    5%    1/4W                              |
| R1084          | 1-249-421-11 | CARBON  | 2.2K    5%    1/4W                             |

|  |  |
|--|--|
| The components identified by mark △ or dotted line with mark △ are critical for safety. Replace only with part number specified. | Les composants identifiés par une marque △ sont critiques pour la sécurité. Ne les remplacer que par une pièce portant le numéro spécifié. |
|--|--|

SW

UP CONVERT

| Ref. No. | Part No.     | Description                            | Remark       | Ref. No. | Part No.     | Description                        | Remark |
|----------|--------------|--|--------------|----------|--------------|------------------------------------|--------|
| R1085    | 1-249-425-11 | CARBON                                 | 4.7K 5% 1/4W |          | A-4728-955-A | UP CONVERT BOARD, COMPLETE (DA2ES) |        |
| R1086    | 1-249-429-11 | CARBON                                 | 10K 5% 1/4W  |          |              | *****                              |        |
| R1087    | 1-249-433-11 | CARBON                                 | 22K 5% 1/4W  |          |              | < CAPACITOR >                      |        |
| R1092    | 1-249-417-11 | CARBON                                 | 1K 5% 1/4W   |          |              |                                    |        |
| R1093    | 1-249-421-11 | CARBON                                 | 2.2K 5% 1/4W |          |              |                                    |        |
| R1094    | 1-249-421-11 | CARBON                                 | 2.2K 5% 1/4W |          |              |                                    |        |
| R1095    | 1-249-425-11 | CARBON                                 | 4.7K 5% 1/4W |          |              |                                    |        |
|          |              | < ROTARY ENCODER >                     |              |          |              |                                    |        |
| RV1051   | 1-418-921-11 | ENCODER, ROTARY (JOG DIAL )            |              |          |              |                                    |        |
|          |              | < SWITCH >                             |              |          |              |                                    |        |
| S1051    | 1-762-875-21 | SWITCH, KEYBOARD (ENTER)               |              |          |              |                                    |        |
| S1052    | 1-762-875-21 | SWITCH, KEYBOARD (>)                   |              |          |              |                                    |        |
| S1053    | 1-762-875-21 | SWITCH, KEYBOARD (<)                   |              |          |              |                                    |        |
| S1054    | 1-762-875-21 | SWITCH, KEYBOARD (LEVEL)               |              |          |              |                                    |        |
| S1055    | 1-762-875-21 | SWITCH, KEYBOARD (SURR)                |              |          |              |                                    |        |
| S1056    | 1-762-875-21 | SWITCH, KEYBOARD (EQ)                  |              |          |              |                                    |        |
| S1057    | 1-762-875-21 | SWITCH, KEYBOARD (CUSTOMIZE)           |              |          |              |                                    |        |
| S1058    | 1-762-875-21 | SWITCH, KEYBOARD (SET UP)              |              |          |              |                                    |        |
| S1061    | 1-762-875-21 | SWITCH, KEYBOARD (EQUALIZER)           |              |          |              |                                    |        |
| S1062    | 1-762-875-21 | SWITCH, KEYBOARD (NIGHT MODE)          |              |          |              |                                    |        |
| S1063    | 1-762-875-21 | SWITCH, KEYBOARD (TEST TONE)           |              |          |              |                                    |        |
| S1064    | 1-762-875-21 | SWITCH, KEYBOARD (TUNING +)            |              |          |              |                                    |        |
|          |              | (EXCEPT DB1080: AEP, UK)               |              |          |              |                                    |        |
| S1064    | 1-762-875-21 | SWITCH, KEYBOARD (TUNING/PTY SELECT +) |              |          |              |                                    |        |
|          |              | (DB1080: AEP, UK)                      |              |          |              |                                    |        |
| S1065    | 1-762-875-21 | SWITCH, KEYBOARD (TUNING -)            |              |          |              |                                    |        |
|          |              | (EXCEPT DB1080: AEP, UK)               |              |          |              |                                    |        |
| S1065    | 1-762-875-21 | SWITCH, KEYBOARD (TUNING/PTY SELECT -) |              |          |              |                                    |        |
|          |              | (DB1080: AEP, UK)                      |              |          |              |                                    |        |
| S1066    | 1-762-875-21 | SWITCH, KEYBOARD (2ND ROOM) (DA2ES)    |              |          |              |                                    |        |
| S1066    | 1-762-875-21 | SWITCH, KEYBOARD (RDS, PTY)            |              |          |              |                                    |        |
|          |              | (DB1080: AEP, UK)                      |              |          |              |                                    |        |
| S1066    | 1-762-875-21 | SWITCH, KEYBOARD (SLEEP)               |              |          |              |                                    |        |
|          |              | (DB1080: E, SP, MY, KR)                |              |          |              |                                    |        |
| S1067    | 1-762-875-21 | SWITCH, KEYBOARD (FM MODE)             |              |          |              |                                    |        |
| S1068    | 1-762-875-21 | SWITCH, KEYBOARD (MEMORY)              |              |          |              |                                    |        |
| S1073    | 1-762-875-21 | SWITCH, KEYBOARD (ON SCREEN)           |              |          |              |                                    |        |
| S1074    | 1-762-875-21 | SWITCH, KEYBOARD (DPLII/NEO:6)         |              |          |              |                                    |        |
| S1075    | 1-762-875-21 | SWITCH, KEYBOARD (6.1CH DECODING)      |              |          |              |                                    |        |
| S1076    | 1-762-875-21 | SWITCH, KEYBOARD (CINEMA STUDIO EX)    |              |          |              |                                    |        |
| S1077    | 1-762-875-21 | SWITCH, KEYBOARD                       |              |          |              |                                    |        |
|          |              | (DIGITAL CONCERT HALL)                 |              |          |              |                                    |        |
| S1084    | 1-762-875-21 | SWITCH, KEYBOARD (MODE -)              |              |          |              |                                    |        |
| S1085    | 1-762-875-21 | SWITCH, KEYBOARD (MULTI CH DIRECT)     |              |          |              |                                    |        |
| S1086    | 1-762-875-21 | SWITCH, KEYBOARD (A.DIRECT)            |              |          |              |                                    |        |
| S1087    | 1-762-875-21 | SWITCH, KEYBOARD (MODE +)              |              |          |              |                                    |        |
| S1091    | 1-762-875-21 | SWITCH, KEYBOARD (FM/AM)               |              |          |              |                                    |        |
| S1092    | 1-762-875-21 | SWITCH, KEYBOARD (PRESET TUNING -)     |              |          |              |                                    |        |
| S1093    | 1-762-875-21 | SWITCH, KEYBOARD (PRESET TUNING +)     |              |          |              |                                    |        |
| S1094    | 1-762-875-21 | SWITCH, KEYBOARD (2CH ST)              |              |          |              |                                    |        |
| S1095    | 1-762-875-21 | SWITCH, KEYBOARD (AUTO DEC.)           |              |          |              |                                    |        |
| *****    |              |  |              |          |              |                                    |        |
|          |              | < CONNECTOR >                          |              |          |              |                                    |        |
| CN3101   | 1-766-724-11 | CONNECTOR, BOARD TO BOARD 7P           |              |          |              |                                    |        |
|          |              | < FERRITE BEAD >                       |              |          |              |                                    |        |
| FB3101   | 1-469-152-11 | FERRITE                                | 0uH          |          |              |                                    |        |
| FB3102   | 1-469-152-11 | FERRITE                                | 0uH          |          |              |                                    |        |
| FB3103   | 1-469-152-11 | FERRITE                                | 0uH          |          |              |                                    |        |
|          |              | < IC >                                 |              |          |              |                                    |        |
| IC3100   | 8-759-678-99 | IC TC90A45F                            |              |          |              |                                    |        |
| IC3101   | 8-759-826-19 | IC MM1093NF                            |              |          |              |                                    |        |
|          |              | < SHORT >                              |              |          |              |                                    |        |
| JW3121   | 1-216-295-11 | SHORT CHIP                             | 0            |          |              |                                    |        |

# STR-DA2ES/DB1080

**UP CONVERT**

**V3-OPT**

**VIDEO**

| Ref. No.       | Part No.     | Description | Remark        |
|----------------|--------------|-------------|---------------|
| JW3122         | 1-216-295-11 | SHORT CHIP  | 0             |
| JW3123         | 1-216-295-11 | SHORT CHIP  | 0             |
| < COIL >       |              |             |               |
| L3100          | 1-412-064-11 | INDUCTOR    | 100uH         |
| L3101          | 1-412-011-31 | INDUCTOR    | 27uH          |
| L3102          | 1-412-064-11 | INDUCTOR    | 100uH         |
| L3103          | 1-412-011-31 | INDUCTOR    | 27uH          |
| L3104          | 1-412-011-31 | INDUCTOR    | 27uH          |
| L3105          | 1-414-194-11 | INDUCTOR    | 33uH          |
| < TRANSISTOR > |              |             |               |
| Q3100          | 8-729-230-49 | TRANSISTOR  | 2SC2712-YG    |
| Q3101          | 8-729-230-49 | TRANSISTOR  | 2SC2712-YG    |
| Q3102          | 8-729-216-22 | TRANSISTOR  | 2SA1162-G     |
| Q3103          | 8-729-230-49 | TRANSISTOR  | 2SC2712-YG    |
| Q3104          | 8-729-230-49 | TRANSISTOR  | 2SC2712-YG    |
| Q3105          | 8-729-230-49 | TRANSISTOR  | 2SC2712-YG    |
| Q3106          | 8-729-216-22 | TRANSISTOR  | 2SA1162-G     |
| Q3107          | 8-729-216-22 | TRANSISTOR  | 2SA1162-G     |
| Q3108          | 8-729-230-49 | TRANSISTOR  | 2SC2712-YG    |
| Q3109          | 8-729-230-49 | TRANSISTOR  | 2SC2712-YG    |
| Q3110          | 8-729-230-49 | TRANSISTOR  | 2SC2712-YG    |
| Q3111          | 8-729-216-22 | TRANSISTOR  | 2SA1162-G     |
| Q3112          | 8-729-216-22 | TRANSISTOR  | 2SA1162-G     |
| < RESISTOR >   |              |             |               |
| R3101          | 1-216-051-00 | METAL CHIP  | 1.2K 5% 1/10W |
| R3102          | 1-216-069-00 | METAL CHIP  | 6.8K 5% 1/10W |
| R3103          | 1-216-043-00 | RES-CHIP    | 560 5% 1/10W  |
| R3104          | 1-216-051-00 | METAL CHIP  | 1.2K 5% 1/10W |
| R3105          | 1-216-047-00 | RES-CHIP    | 820 5% 1/10W  |
| R3106          | 1-216-047-00 | RES-CHIP    | 820 5% 1/10W  |
| R3107          | 1-216-075-00 | METAL CHIP  | 12K 5% 1/10W  |
| R3108          | 1-216-043-00 | RES-CHIP    | 560 5% 1/10W  |
| R3110          | 1-216-047-00 | RES-CHIP    | 820 5% 1/10W  |
| R3111          | 1-216-047-00 | RES-CHIP    | 820 5% 1/10W  |
| R3112          | 1-216-043-00 | RES-CHIP    | 560 5% 1/10W  |
| R3113          | 1-216-051-00 | METAL CHIP  | 1.2K 5% 1/10W |
| R3114          | 1-216-069-00 | METAL CHIP  | 6.8K 5% 1/10W |
| R3115          | 1-216-043-00 | RES-CHIP    | 560 5% 1/10W  |
| R3116          | 1-216-051-00 | METAL CHIP  | 1.2K 5% 1/10W |
| R3117          | 1-216-047-00 | RES-CHIP    | 820 5% 1/10W  |
| R3118          | 1-216-025-11 | RES-CHIP    | 100 5% 1/10W  |
| R3120          | 1-216-075-00 | METAL CHIP  | 12K 5% 1/10W  |
| R3121          | 1-216-043-00 | RES-CHIP    | 560 5% 1/10W  |
| R3122          | 1-260-354-71 | CARBON      | 150 5% 1/2W   |
| R3123          | 1-216-047-00 | RES-CHIP    | 820 5% 1/10W  |
| R3124          | 1-216-043-00 | RES-CHIP    | 560 5% 1/10W  |
| R3125          | 1-216-051-00 | METAL CHIP  | 1.2K 5% 1/10W |
| R3126          | 1-216-069-00 | METAL CHIP  | 6.8K 5% 1/10W |
| R3127          | 1-216-043-00 | RES-CHIP    | 560 5% 1/10W  |
| R3128          | 1-216-051-00 | METAL CHIP  | 1.2K 5% 1/10W |
| R3129          | 1-216-047-00 | RES-CHIP    | 820 5% 1/10W  |
| R3130          | 1-216-025-11 | RES-CHIP    | 100 5% 1/10W  |
| R3131          | 1-216-039-00 | METAL CHIP  | 390 5% 1/10W  |
| R3132          | 1-216-075-00 | METAL CHIP  | 12K 5% 1/10W  |

| Ref. No.            | Part No.                                | Description                      | Remark                                     |
|---------------------|---|----------------------------------|--|
| R3133               | 1-216-043-00                            | RES-CHIP                         | 560 5% 1/10W                               |
| R3134               | 1-260-354-71                            | CARBON                           | 150 5% 1/2W                                |
| R3136               | 1-216-073-00                            | RES-CHIP                         | 10K 5% 1/10W                               |
| R3137               | 1-216-073-00                            | RES-CHIP                         | 10K 5% 1/10W                               |
| R3138               | 1-216-067-00                            | METAL CHIP                       | 5.6K 5% 1/10W                              |
| R3139               | 1-216-077-00                            | RES-CHIP                         | 15K 5% 1/10W                               |
| R3140               | 1-216-121-11                            | RES-CHIP                         | 1M 5% 1/10W                                |
| R3141               | 1-216-039-00                            | METAL CHIP                       | 390 5% 1/10W                               |
| R3142               | 1-216-022-00                            | METAL CHIP                       | 75 5% 1/10W                                |
| R3143               | 1-216-022-00                            | METAL CHIP                       | 75 5% 1/10W                                |
| R3144               | 1-216-049-11                            | RES-CHIP                         | 1K 5% 1/10W                                |
| R3145               | 1-216-045-00                            | METAL CHIP                       | 680 5% 1/10W                               |
| R3146               | 1-216-035-00                            | METAL CHIP                       | 270 5% 1/10W                               |
| < VIBRATOR >        |   |                                  |  |
| X3100               | 1-781-342-21                            | OSCILLATOR, CRYSTAL (3.5795MHz)  |  |
| *****               |   |                                  |  |
|                     | 1-684-337-11                            | V3-OPT BOARD                     |  |
| *****               |   |                                  |  |
| < CAPACITOR >       |   |                                  |  |
| C289                | 1-127-888-11                            | CERAMIC                          | 0.1uF 10% 50V                              |
| < CONNECTOR >       |   |                                  |  |
| * CN289             | 1-564-719-11                            | PIN, CONNECTOR (SMALL TYPE) 3P   |  |
| < IC >              |   |                                  |  |
| IC289               | 6-600-057-01                            | IC TORX141PL (DIGITAL (OPTICAL)) |  |
| < RESISTOR >        |   |                                  |  |
| R289                | 1-247-807-31                            | CARBON                           | 100 5% 1/4W                                |
| *****               |   |                                  |  |
| A-4728-487-A        | VIDEO BOARD, COMPLETE (DA2ES)           |                                  |  |
| A-4728-503-A        | VIDEO BOARD, COMPLETE                   |                                  |  |
| (DB1080: E, SP, MY) |   |                                  |  |
| A-4728-522-A        | VIDEO BOARD, COMPLETE (DB1080: AEP, UK) |                                  |  |
| A-4730-111-A        | VIDEO BOARD, COMPLETE (DB1080: KR)      |                                  |  |
| *****               |   |                                  |  |
| < CAPACITOR >       |   |                                  |  |
| C301                | 1-127-868-11                            | CERAMIC                          | 2200PF 10% 50V<br>(EXCEPT DB1080: AEP, UK) |
| C308                | 1-126-964-11                            | ELECT                            | 10uF 20% 50V<br>(EXCEPT DB1080: AEP, UK)   |
| C309                | 1-126-964-11                            | ELECT                            | 10uF 20% 50V<br>(EXCEPT DB1080: AEP, UK)   |
| C310                | 1-126-964-11                            | ELECT                            | 10uF 20% 50V<br>(EXCEPT DB1080: AEP, UK)   |
| C311                | 1-126-964-11                            | ELECT                            | 10uF 20% 50V<br>(EXCEPT DB1080: AEP, UK)   |
| C312                | 1-126-964-11                            | ELECT                            | 10uF 20% 50V<br>(EXCEPT DB1080: AEP, UK)   |
| C313                | 1-126-964-11                            | ELECT                            | 10uF 20% 50V<br>(EXCEPT DB1080: AEP, UK)   |
| C314                | 1-126-935-11                            | ELECT                            | 470uF 20% 10V                              |
| C315                | 1-126-916-11                            | ELECT                            | 1000uF 20% 6.3V<br>(DA2ES)                 |



| Ref. No. | Part No.     | Description | Remark |     |                                   | Ref. No.         | Part No.     | Description  | Remark |     |                                 |
|----------|--------------|-------------|--------|-----|-----------------------------------|------------------|--------------|--|--------|-----|---------------------------------|
| C315     | 1-126-935-11 | ELECT       | 470uF  | 20% | 10V<br>(DB1080)                   | C380             | 1-127-888-11 | CERAMIC  | 0.1uF  | 10% | 50V<br>(EXCEPT DB1080: AEP, UK) |
| C318     | 1-126-960-11 | ELECT       | 1uF    | 20% | 50V                               | C381             | 1-127-888-11 | CERAMIC  | 0.1uF  | 10% | 50V<br>(EXCEPT DB1080: AEP, UK) |
| C319     | 1-127-888-11 | CERAMIC     | 0.1uF  | 10% | 50V                               | C382             | 1-127-888-11 | CERAMIC  | 0.1uF  | 10% | 50V<br>(EXCEPT DB1080: AEP, UK) |
| C320     | 1-128-802-11 | CERAMIC     | 27PF   | 5%  | 50V<br>(EXCEPT DA2ES/DB1080: KR)  | C384             | 1-127-888-11 | CERAMIC  | 0.1uF  | 10% | 50V                             |
| C322     | 1-162-199-31 | CERAMIC     | 10PF   | 5%  | 50V                               | C390             | 1-126-965-11 | ELECT  | 22uF   | 20% | 50V<br>(DA2ES)                  |
| C323     | 1-128-803-11 | CERAMIC     | 33PF   | 5%  | 50V                               | C392             | 1-126-964-11 | ELECT  | 10uF   | 20% | 50V<br>(DA2ES)                  |
| C324     | 1-127-888-11 | CERAMIC     | 0.1uF  | 10% | 50V                               | C393             | 1-126-964-11 | ELECT  | 10uF   | 20% | 50V<br>(DA2ES)                  |
| C325     | 1-128-803-11 | CERAMIC     | 33PF   | 5%  | 50V                               | < CONNECTOR >    |              |  |        |     |                                 |
| C326     | 1-162-201-31 | CERAMIC     | 12PF   | 5%  | 50V                               | CN301            | 1-569-323-11 | SOCKET, CONNECTOR 19P (DA2ES)                      |        |     |                                 |
| C328     | 1-127-888-11 | CERAMIC     | 0.1uF  | 10% | 50V                               | CN301            | 1-569-321-11 | SOCKET, CONNECTOR 15P (DB1080)                     |        |     |                                 |
| C329     | 1-128-809-11 | CERAMIC     | 100PF  | 5%  | 50V                               | CN302            | 1-564-505-11 | PLUG, CONNECTOR 2P                                 |        |     |                                 |
| C330     | 1-126-964-11 | ELECT       | 10uF   | 20% | 50V                               | CN303            | 1-569-324-11 | SOCKET, CONNECTOR 21P (DA2ES)                      |        |     |                                 |
| C331     | 1-126-964-11 | ELECT       | 10uF   | 20% | 50V                               | CN303            | 1-569-321-11 | SOCKET, CONNECTOR 15P (DB1080)                     |        |     |                                 |
| C332     | 1-127-888-11 | CERAMIC     | 0.1uF  | 10% | 50V<br>(EXCEPT DA2ES/DB1080: KR)  | * CN306          | 1-564-720-11 | PIN, CONNECTOR (SMALL TYPE) 4P                     |        |     |                                 |
| C333     | 1-127-888-11 | CERAMIC     | 0.1uF  | 10% | 50V                               | CN390            | 1-766-600-21 | CONNECTOR, BOARD TO BOARD 7P<br>(DA2ES/DB1080: KR) |        |     |                                 |
| C335     | 1-128-805-11 | CERAMIC     | 47PF   | 5%  | 50V                               | < TRIMMER >      |              |  |        |     |                                 |
| C336     | 1-128-805-11 | CERAMIC     | 47PF   | 5%  | 50V                               | CT301            | 1-141-442-11 | CAP, CERAMIC TRIMMER<br>(EXCEPT DA2ES/DB1080: KR)  |        |     |                                 |
| C337     | 1-128-805-11 | CERAMIC     | 47PF   | 5%  | 50V                               | CT302            | 1-141-442-11 | CAP, CERAMIC TRIMMER                               |        |     |                                 |
| C339     | 1-127-888-11 | CERAMIC     | 0.1uF  | 10% | 50V                               | CT303            | 1-141-442-91 | CAP, CERAMIC TRIMMER                               |        |     |                                 |
| C340     | 1-126-927-11 | ELECT       | 2200uF | 20% | 10V                               | < DIODE >        |              |  |        |     |                                 |
| C341     | 1-127-888-11 | CERAMIC     | 0.1uF  | 10% | 50V                               | D301             | 8-719-911-19 | DIODE 1SS119-25                                    |        |     |                                 |
| C342     | 1-128-805-11 | CERAMIC     | 47PF   | 5%  | 50V                               | D303             | 8-719-911-19 | DIODE 1SS119-25                                    |        |     |                                 |
| C343     | 1-128-805-11 | CERAMIC     | 47PF   | 5%  | 50V                               | D304             | 8-719-911-19 | DIODE 1SS119-25                                    |        |     |                                 |
| C344     | 1-128-805-11 | CERAMIC     | 47PF   | 5%  | 50V                               | D390             | 8-719-911-19 | DIODE 1SS119-25 (DA2ES)                            |        |     |                                 |
| C345     | 1-128-805-11 | CERAMIC     | 47PF   | 5%  | 50V                               | < FERRITE BEAD > |              |  |        |     |                                 |
| C346     | 1-126-964-11 | ELECT       | 10uF   | 20% | 50V                               | FB303            | 1-412-911-11 | FERRITE  | 0uH    |     |                                 |
| C347     | 1-126-964-11 | ELECT       | 10uF   | 20% | 50V                               | < FILTER >       |              |  |        |     |                                 |
| C348     | 1-126-964-11 | ELECT       | 10uF   | 20% | 50V                               | FL301            | 1-424-543-11 | FILTER, NOISE (EXCEPT DA2ES/DB1080: KR)            |        |     |                                 |
| C349     | 1-126-964-11 | ELECT       | 10uF   | 20% | 50V                               | FL302            | 1-424-543-11 | FILTER, NOISE                                      |        |     |                                 |
| C350     | 1-127-888-11 | CERAMIC     | 0.1uF  | 10% | 50V<br>(EXCEPT DA2ES/DB1080: KR)  | FL303            | 1-424-543-11 | FILTER, NOISE (EXCEPT DA2ES/DB1080: KR)            |        |     |                                 |
| C351     | 1-127-868-11 | CERAMIC     | 2200PF | 10% | 50V                               | FL304            | 1-416-300-21 | FILTER, NOISE                                      |        |     |                                 |
| C352     | 1-127-868-11 | CERAMIC     | 2200PF | 10% | 50V                               | FL305            | 1-416-300-21 | FILTER, NOISE                                      |        |     |                                 |
| C353     | 1-127-868-11 | CERAMIC     | 2200PF | 10% | 50V                               | < IC >           |              |  |        |     |                                 |
| C354     | 1-127-888-11 | CERAMIC     | 0.1uF  | 10% | 50V                               | IC301            | 6-701-891-01 | IC NJM2581D (EXCEPT DB1080: AEP, UK)               |        |     |                                 |
| C355     | 1-126-964-11 | ELECT       | 10uF   | 20% | 50V                               | IC303            | 8-759-231-66 | IC TC74HC4053AP<br>(EXCEPT DB1080: AEP, UK)        |        |     |                                 |
| C358     | 1-127-888-11 | CERAMIC     | 0.1uF  | 10% | 50V                               | IC304            | 8-759-917-18 | IC SN74HCU04AN                                     |        |     |                                 |
| C359     | 1-127-888-11 | CERAMIC     | 0.1uF  | 10% | 50V<br>(EXCEPT DA2ES/DB1080: KR)  | IC305            | 8-759-666-34 | IC BA7622  |        |     |                                 |
| C361     | 1-126-916-11 | ELECT       | 1000uF | 20% | 6.3V<br>(EXCEPT DA2ES/DB1080: KR) | IC306            | 8-759-232-01 | IC TC74HC00AP<br>(EXCEPT DA2ES/DB1080: KR)         |        |     |                                 |
| C362     | 1-126-964-11 | ELECT       | 10uF   | 20% | 50V                               | IC307            | 6-700-367-01 | IC MB90089PF-G-238-BND                             |        |     |                                 |
| C363     | 1-126-964-11 | ELECT       | 10uF   | 20% | 50V                               | IC308            | 6-701-890-01 | IC NJM2595D  |        |     |                                 |
| C366     | 1-126-964-11 | ELECT       | 10uF   | 20% | 50V                               | IC309            | 8-759-822-05 | IC LA7213 (EXCEPT DA2ES/DB1080: KR)                |        |     |                                 |
| C370     | 1-127-888-11 | CERAMIC     | 0.1uF  | 10% | 50V<br>(EXCEPT DA2ES/DB1080: KR)  | IC310            | 8-759-243-51 | IC TC74ACT08P                                      |        |     |                                 |
| C373     | 1-127-888-11 | CERAMIC     | 0.1uF  | 10% | 50V                               | IC311            | 8-759-822-05 | IC LA7213 (EXCEPT DA2ES/DB1080: KR)                |        |     |                                 |
| C372     | 1-126-916-11 | ELECT       | 1000uF | 20% | 6.3V<br>(EXCEPT DA2ES/DB1080: KR) |                  |              |  |        |     |                                 |
| C374     | 1-127-888-11 | CERAMIC     | 0.1uF  | 10% | 50V                               |                  |              |  |        |     |                                 |
| C375     | 1-126-964-11 | ELECT       | 10uF   | 20% | 50V                               |                  |              |  |        |     |                                 |
| C376     | 1-126-960-11 | ELECT       | 1uF    | 20% | 50V<br>(EXCEPT DA2ES/DB1080: KR)  |                  |              |  |        |     |                                 |
| C377     | 1-127-888-11 | CERAMIC     | 0.1uF  | 10% | 50V                               |                  |              |  |        |     |                                 |
| C379     | 1-127-888-11 | CERAMIC     | 0.1uF  | 10% | 50V<br>(EXCEPT DB1080: AEP, UK)   |                  |              |  |        |     |                                 |

VIDEO

| Ref. No.       | Part No.     | Description   | Remark | Ref. No. | Part No.     | Description                                      | Remark |
|----------------|--------------|---|--------|----------|--------------|--|--------|
| < JACK >       |              |   |        |          |              |  |        |
| J301           | 1-816-592-11 | JACK, PIN 9P(COMPONENT VIDEO MONITOR OUT, TV/SAT IN, DVD/LD IN)<br>(EXCEPT DB1080: AEP, UK) |        | R329     | 1-249-393-11 | CARBON 10 5% 1/4W                                |        |
| J302           | 1-774-227-11 | JACK, PIN 1P (MONITOR OUT VIDEO)  |        | R330     | 1-249-393-11 | CARBON 10 5% 1/4W                                |        |
| J303           | 1-563-330-11 | JACK (CONTROL A1 II)  |        | R331     | 1-249-417-11 | CARBON 1K 5% 1/4W                                |        |
| J304           | 1-770-337-11 | JACK, PIN 3P (VIDEO 2 OUT VIDEO, VIDEO 1 IN/OUT VIDEO)                                      |        | R332     | 1-247-807-31 | CARBON 100 5% 1/4W<br>(EXCEPT DA2ES/DB1080: KR)  |        |
| J305           | 1-770-337-11 | JACK, PIN 3P (TV/SAT IN VIDEO, DVD/LD IN VIDEO, VIDEO 2 OUT VIDEO)                          |        | R333     | 1-249-425-11 | CARBON 4.7K 5% 1/4W                              |        |
| < COIL >       |              |   |        |          |              |  |        |
| L301           | 1-410-973-11 | INDUCTOR 22uH   |        | R334     | 1-247-807-31 | CARBON 100 5% 1/4W<br>(DA2ES/DB1080: KR)         |        |
| < TRANSISTOR > |              |   |        |          |              |  |        |
| Q302           | 8-729-116-02 | TRANSISTOR BA1A4M-TP<br>(EXCEPT DB1080: AEP, UK)  |        | R335     | 1-247-804-11 | CARBON 75 5% 1/4W<br>(EXCEPT DA2ES/DB1080: KR)   |        |
| Q304           | 8-729-119-79 | TRANSISTOR 2SC2785-FEK  |        | R336     | 1-247-804-11 | CARBON 75 5% 1/4W<br>(EXCEPT DA2ES/DB1080: KR)   |        |
| Q305           | 8-729-119-79 | TRANSISTOR 2SC2785-FEK  |        | R338     | 1-247-804-11 | CARBON 75 5% 1/4W                                |        |
| Q390           | 8-729-201-53 | TRANSISTOR 2SA1015-GR (DA2ES)   |        | R339     | 1-247-804-11 | CARBON 75 5% 1/4W                                |        |
| Q391           | 8-729-029-66 | TRANSISTOR DTC114ESA (DA2ES)  |        | R340     | 1-247-804-11 | CARBON 75 5% 1/4W                                |        |
| Q392           | 8-729-119-79 | TRANSISTOR 2SC2785-FEK (DA2ES)  |        | R341     | 1-247-804-11 | CARBON 75 5% 1/4W                                |        |
| Q393           | 8-729-201-53 | TRANSISTOR 2SA1015-GR (DA2ES)   |        | R342     | 1-247-804-11 | CARBON 75 5% 1/4W                                |        |
| Q394           | 8-729-119-79 | TRANSISTOR 2SC2785-FEK (DA2ES)  |        | R343     | 1-249-437-11 | CARBON 47K 5% 1/4W                               |        |
| < RESISTOR >   |              |   |        |          |              |  |        |
| R301           | 1-247-804-11 | CARBON 75 5% 1/4W<br>(EXCEPT DB1080: AEP, UK)   |        | R344     | 1-247-804-11 | CARBON 75 5% 1/4W                                |        |
| R302           | 1-247-804-11 | CARBON 75 5% 1/4W<br>(EXCEPT DB1080: AEP, UK)   |        | R345     | 1-249-437-11 | CARBON 47K 5% 1/4W                               |        |
| R303           | 1-247-804-11 | CARBON 75 5% 1/4W<br>(EXCEPT DB1080: AEP, UK)   |        | R346     | 1-247-804-11 | CARBON 75 5% 1/4W                                |        |
| R304           | 1-247-804-11 | CARBON 75 5% 1/4W<br>(EXCEPT DB1080: AEP, UK)   |        | R347     | 1-249-424-11 | CARBON 3.9K 5% 1/4W                              |        |
| R305           | 1-247-804-11 | CARBON 75 5% 1/4W<br>(EXCEPT DB1080: AEP, UK)   |        | R348     | 1-249-437-11 | CARBON 47K 5% 1/4W                               |        |
| R306           | 1-247-804-11 | CARBON 75 5% 1/4W<br>(EXCEPT DB1080: AEP, UK)   |        | R349     | 1-249-418-11 | CARBON 1.2K 5% 1/4W                              |        |
| R307           | 1-247-804-11 | CARBON 75 5% 1/4W<br>(EXCEPT DB1080: AEP, UK)   |        | R350     | 1-249-437-11 | CARBON 47K 5% 1/4W                               |        |
| R309           | 1-247-804-11 | CARBON 75 5% 1/4W<br>(EXCEPT DB1080: AEP, UK)   |        | R351     | 1-247-804-11 | CARBON 75 5% 1/4W                                |        |
| R310           | 1-247-804-11 | CARBON 75 5% 1/4W<br>(EXCEPT DB1080: AEP, UK)   |        | R352     | 1-249-411-11 | CARBON 330 5% 1/4W<br>(EXCEPT DA2ES/DB1080: KR)  |        |
| R317           | 1-247-903-00 | CARBON 1M 5% 1/4W<br>(EXCEPT DA2ES/DB1080: KR)  |        | R353     | 1-247-883-00 | CARBON 150K 5% 1/4W<br>(EXCEPT DA2ES/DB1080: KR) |        |
| R318           | 1-247-804-11 | CARBON 75 5% 1/4W<br>(EXCEPT DA2ES/DB1080: KR)  |        | R355     | 1-249-411-11 | CARBON 330 5% 1/4W<br>(EXCEPT DA2ES/DB1080: KR)  |        |
| R319           | 1-249-411-11 | CARBON 330 5% 1/4W<br>(EXCEPT DA2ES/DB1080: KR)   |        | R356     | 1-247-883-00 | CARBON 150K 5% 1/4W<br>(EXCEPT DA2ES/DB1080: KR) |        |
| R320           | 1-249-417-11 | CARBON 1K 5% 1/4W   |        | R357     | 1-247-807-31 | CARBON 100 5% 1/4W<br>(EXCEPT DB1080: AEP, UK)   |        |
| R321           | 1-249-417-11 | CARBON 1K 5% 1/4W   |        | R389     | 1-249-419-11 | CARBON 1.5K 5% 1/4W<br>(DA2ES)                   |        |
| R322           | 1-249-417-11 | CARBON 1K 5% 1/4W   |        | △ R390   | 1-249-381-11 | CARBON 1 5% 1/4W F<br>(DA2ES)                    |        |
| R323           | 1-247-804-11 | CARBON 75 5% 1/4W<br>(EXCEPT DA2ES/DB1080: KR)  |        | R391     | 1-249-429-11 | CARBON 10K 5% 1/4W<br>(DA2ES)                    |        |
| R324           | 1-247-903-00 | CARBON 1M 5% 1/4W   |        | R392     | 1-249-421-11 | CARBON 2.2K 5% 1/4W<br>(DA2ES)                   |        |
| R325           | 1-249-429-11 | CARBON 10K 5% 1/4W<br>(EXCEPT DB1080: AEP, UK)  |        | R393     | 1-249-419-11 | CARBON 1.5K 5% 1/4W<br>(DA2ES)                   |        |
| R327           | 1-249-411-11 | CARBON 330 5% 1/4W  |        | R394     | 1-249-429-11 | CARBON 10K 5% 1/4W<br>(DA2ES)                    |        |
| R328           | 1-247-807-31 | CARBON 100 5% 1/4W  |        | R395     | 1-249-421-11 | CARBON 2.2K 5% 1/4W<br>(DA2ES)                   |        |
| < RELAY >      |              |   |        |          |              |  |        |
|                |              |   |        | RY390    | 1-755-359-11 | RELAY  |        |

|  |  |
|--|--|
| The components identified by mark △ or dotted line with mark △ are critical for safety. Replace only with part number specified. | Les composants identifiés par une marque △ sont critiques pour la sécurité. Ne les remplacer que par une pièce portant le numéro spécifié. |
|--|--|

VIDEO

VIDEO 3

VIDEO.AU

| Ref. No. | Part No.     | Description                         | Remark                    | Ref. No. | Part No.     | Description                          | Remark                |
|----------|--------------|-------------------------------------|---------------------------|----------|--------------|--------------------------------------|-----------------------|
|          |              | < VIBRATOR >                        |                           | C189     | 1-127-868-11 | CERAMIC 2200PF 10%                   | 50V (DA2ES)           |
| X301     | 1-781-820-21 | VIBRATOR, CRYSTAL (17.734475MHz)    |                           | C190     | 1-126-965-11 | ELECT 22uF 20%                       | 50V (DA2ES)           |
| X302     | 1-781-821-21 | VIBRATOR, CRYSTAL (14.31818MHz)     | (EXCEPT DA2ES/DB1080: KR) | C191     | 1-126-965-11 | ELECT 22uF 20%                       | 50V (DA2ES)           |
| *****    |              |                                     |                           |          |              |                                      |                       |
|          | 1-684-336-11 | VIDEO 3 BOARD                       |                           | C201     | 1-127-868-11 | CERAMIC 2200PF 10%                   | 50V                   |
|          |              | *****                               |                           | C202     | 1-127-868-11 | CERAMIC 2200PF 10%                   | 50V                   |
|          |              | < CAPACITOR >                       |                           | C211     | 1-127-868-11 | CERAMIC 2200PF 10%                   | 50V                   |
| C293     |              | CERAMIC                             | 0.047uF 10% 50V           | C212     | 1-127-868-11 | CERAMIC 2200PF 10%                   | 50V                   |
| C294     | 1-127-880-11 | CERAMIC                             | 0.022uF 10% 50V           | C213     | 1-128-809-11 | CERAMIC 100PF 5%                     | 50V                   |
|          |              | < CONNECTOR >                       |                           | C214     | 1-127-876-11 | CERAMIC 0.01uF 10%                   | 50V                   |
|          |              | < CONNECTOR >                       |                           | * CN201  | 1-569-306-11 | SOCKET, CONNECTOR (L TYRE) 15P       | (DA2ES)               |
| CN299    | 1-784-923-11 | PIN, CONNECTOR 7P                   |                           | CN201    | 1-568-441-11 | SOCKET, CONNECTOR 9P                 | (DB1080)              |
|          |              | < TERMINAL >                        |                           | * CN202  | 1-564-719-11 | PIN, CONNECTOR (SMALL TYPE) 3P       |                       |
| * EB299  | 1-537-738-21 | TERMINAL, EARTH                     |                           |          |              | < DIODE >                            |                       |
|          |              | < JACK >                            |                           | D171     | 8-719-911-19 | DIODE 1SS119-25                      | (DA2ES)               |
| J298     | 1-770-571-11 | JACK BLOCK, PIN (L TYPE) 3P         |                           |          |              | < IC >                               |                       |
|          |              | (VIDEO 3 INPUT VIDEO/AUDIO)         |                           | IC172    | 8-759-636-74 | IC M5218AP-22                        | (DA2ES)               |
| J299     | 1-784-808-11 | TERMINAL, S (VIDEO 3 INPUT S-VIDEO) |                           | IC173    | 8-759-835-76 | IC TC94A07P                          | (DA2ES)               |
|          |              | < RESISTOR >                        |                           | IC174    | 8-759-636-74 | IC M5218AP-22                        | (DA2ES)               |
| R295     | 1-247-804-11 | CARBON                              | 75 5% 1/4W                | IC201    | 8-759-582-65 | IC TC9273N-014                       |                       |
| R296     | 1-247-804-11 | CARBON                              | 75 5% 1/4W                |          |              | < JACK >                             |                       |
| R298     | 1-249-417-11 | CARBON                              | 1K 5% 1/4W                | J171     | 1-770-272-11 | JACK, PIN 2P (2ND ROOU OUT VARIABLE) | (DA2ES)               |
| R299     | 1-249-417-11 | CARBON                              | 1K 5% 1/4W                | J201     | 1-774-411-11 | JACK, PIN 6P (TV/SAT AUDIO IN,       |                       |
| *****    |              |                                     |                           |          |              |                                      |                       |
|          | A-4728-492-A | VIDEO.AU BOARD, COMPLETE            | (DA2ES)                   | J202     | 1-774-411-11 | JACK, PIN 6P (VIDEO 2 AUDIO IN,      | VIDEO 1 AUDIO IN/OUT) |
|          | A-4728-505-A | VIDEO.AU BOARD, COMPLETE            | (DB1080)                  |          |              | < TRANSISTOR >                       |                       |
|          |              | *****                               |                           | Q171     | 8-729-119-79 | TRANSISTOR 2SC2785-FEK               | (DA2ES)               |
|          |              | < CAPACITOR >                       |                           |          |              | < RESISTOR >                         |                       |
| C173     | 1-126-965-11 | ELECT                               | 22uF 20% 50V              | R171     | 1-249-425-11 | CARBON 4.7K 5%                       | 1/4W (DA2ES)          |
| C174     | 1-126-965-11 | ELECT                               | 22uF 20% 50V              | R172     | 1-249-425-11 | CARBON 4.7K 5%                       | 1/4W (DA2ES)          |
| C175     | 1-128-813-11 | CERAMIC                             | 220PF 5% 50V              | R173     | 1-247-807-31 | CARBON 100 5%                        | 1/4W (DA2ES)          |
| C176     | 1-128-813-11 | CERAMIC                             | 220PF 5% 50V              | R174     | 1-247-807-31 | CARBON 100 5%                        | 1/4W (DA2ES)          |
| C177     | 1-126-965-11 | ELECT                               | 22uF 20% 50V              | R175     | 1-249-437-11 | CARBON 47K 5%                        | 1/4W (DA2ES)          |
| C178     | 1-126-965-11 | ELECT                               | 22uF 20% 50V              | R176     | 1-249-437-11 | CARBON 47K 5%                        | 1/4W (DA2ES)          |
| C179     | 1-127-868-11 | CERAMIC                             | 2200PF 10% 50V            | R177     | 1-249-441-11 | CARBON 100K 5%                       | 1/4W (DA2ES)          |
| C182     | 1-126-933-11 | ELECT                               | 100uF 20% 16V             | R178     | 1-249-441-11 | CARBON 100K 5%                       | 1/4W (DA2ES)          |
| C183     | 1-126-933-11 | ELECT                               | 100uF 20% 16V             | R179     | 1-249-417-11 | CARBON 1K 5%                         | 1/4W (DA2ES)          |
| C184     | 1-128-809-11 | CERAMIC                             | 100PF 5% 50V              | R180     | 1-249-417-11 | CARBON 1K 5%                         | 1/4W (DA2ES)          |
| C188     | 1-127-868-11 | CERAMIC                             | 2200PF 10% 50V            |          |              |                                      |                       |
|          |              | (DA2ES)                             |                           |          |              |                                      |                       |

# STR-DA2ES/DB1080

## VIDEO.AU

## V.SWITCH

| Ref. No.      | Part No.     | Description   | Remark         |
|---------------|--------------|---|----------------|
| △R182         | 1-249-393-11 | CARBON 10 5%  | 1/4W F (DA2ES) |
| R183          | 1-249-429-11 | CARBON 10K 5%                                       | 1/4W (DA2ES)   |
| R184          | 1-249-425-11 | CARBON 4.7K 5%                                      | 1/4W (DA2ES)   |
| R185          | 1-249-417-11 | CARBON 1K 5%  | 1/4W (DA2ES)   |
| R186          | 1-249-441-11 | CARBON 100K 5%                                      | 1/4W (DA2ES)   |
| R187          | 1-249-441-11 | CARBON 100K 5%                                      | 1/4W (DA2ES)   |
| R201          | 1-249-417-11 | CARBON 1K 5%  | 1/4W           |
| R202          | 1-249-417-11 | CARBON 1K 5%  | 1/4W           |
| R203          | 1-249-421-11 | CARBON 2.2K 5%                                      | 1/4W           |
| R204          | 1-249-417-11 | CARBON 1K 5%  | 1/4W           |
| R205          | 1-249-421-11 | CARBON 2.2K 5%                                      | 1/4W           |
| R206          | 1-249-417-11 | CARBON 1K 5%  | 1/4W           |
| R211          | 1-249-417-11 | CARBON 1K 5%  | 1/4W           |
| R251          | 1-249-417-11 | CARBON 1K 5%  | 1/4W           |
| R252          | 1-249-417-11 | CARBON 1K 5%  | 1/4W           |
| R253          | 1-249-421-11 | CARBON 2.2K 5%                                      | 1/4W           |
| R254          | 1-249-417-11 | CARBON 1K 5%  | 1/4W           |
| R255          | 1-249-421-11 | CARBON 2.2K 5%                                      | 1/4W           |
| R256          | 1-249-417-11 | CARBON 1K 5%  | 1/4W           |
| △R842         | 1-249-399-11 | CARBON 33 5%  | 1/4W F         |
| △R843         | 1-249-399-11 | CARBON 33 5%  | 1/4W F         |
| < RELAY >     |              |   |                |
| RY171         | 1-755-485-11 | RELAY (DA2ES)                                       |                |
| *****         |              |   |                |
|               | 1-684-339-11 | V.SWITCH BOARD (DB1080: E)                          |                |
| *****         |              |   |                |
|               | 1-533-217-41 | HOLDER, FUSE  |                |
| < CONNECTOR > |              |   |                |
| CN49          | 1-568-106-11 | PIN, CONNECTOR (3.96mm PITCH) 4P                    |                |
| < SWITCH >    |              |   |                |
| △VS49         | 1-571-437-21 | SWITCH, POWER VOLTAGE CHANGE (VOLTAGE SELECTOR)     |                |
| *****         |              |   |                |
| MISCELLANEOUS |              |   |                |
| *****         |              |   |                |
| 64            | 1-765-352-11 | WIRE (FLAT TYPE) (31 CORE)                          |                |
| 155           | 1-773-001-11 | WIRE (FLAT TYPE) (15 CORE) (DB1080)                 |                |
| 155           | 1-773-105-11 | WIRE (FLAT TYPE) (19 CORE) (DA2ES)                  |                |
| 157           | 1-773-003-11 | WIRE (FLAT TYPE) (15 CORE) (DB1080)                 |                |
| 157           | 1-773-143-11 | WIRE (FLAT TYPE) (21 CORE) (DA2ES)                  |                |
| 201           | 1-773-001-11 | WIRE (FLAT TYPE) (15 CORE) (DB1080: AEP, UK)        |                |
| 201           | 1-769-937-11 | WIRE (FLAT TYPE) (11 CORE) (EXCEPT DB1080: AEP, UK) |                |
| 202           | 1-769-905-11 | WIRE (FLAT TYPE) (9 CORE) (DB1080)                  |                |
| 202           | 1-773-002-11 | WIRE (FLAT TYPE) (15 CORE) (DA2ES)                  |                |
| △256          | 1-769-079-21 | CORD, POWER (KR)                                    |                |

| Ref. No.    | Part No.     | Description  | Remark |
|-------------|--------------|--|--------|
| △256        | 1-769-743-11 | CORD, POWER (CND)                                      |        |
| △256        | 1-769-744-11 | CORD, POWER (AEP, UK)                                  |        |
| △256        | 1-777-071-22 | CORD, POWER (E, SP, MY)                                |        |
| △256        | 1-783-532-11 | CORD, POWER (US)                                       |        |
| △F1         | 1-532-504-51 | FUSE (T4AL/250V) (DB1080)                              |        |
| △F1         | 1-576-048-11 | FUSE, GLASS TUBE (10A/125V) (DA2ES)                    |        |
| △F2         | 1-532-464-51 | FUSE (T2.5AL/250V) (DB1080: AEP, UK, SP, MY)           |        |
| △F2         | 1-576-048-11 | FUSE, GLASS TUBE (10A/125V) (DA2ES)                    |        |
| △F49        | 1-532-504-51 | FUSE (T4AL/250V) (DB1080: E)                           |        |
| △F903       | 1-532-464-51 | FUSE (T2.5AL/250V) (DB1080)                            |        |
| △F903       | 1-533-419-11 | FUSE, GLASS CYLINDRICAL (DIA.5) (4A/125V) (DA2ES: CND) |        |
| △F903       | 1-576-108-11 | FUSE (4A/125V) (DA2ES: US)                             |        |
| △F904       | 1-532-464-51 | FUSE (T2.5AL/250V) (DB1080)                            |        |
| △F904       | 1-533-419-11 | FUSE, GLASS CYLINDRICAL (DIA.5) (4A/125V) (DA2ES: CND) |        |
| △F904       | 1-576-108-11 | FUSE (4A/125V) (DA2ES: US)                             |        |
| Q402        | 8-729-051-92 | TRANSISTOR 2SD2560                                     |        |
| Q403        | 8-729-051-93 | TRANSISTOR 2SB1647                                     |        |
| Q431        | 8-729-026-08 | TRANSISTOR 2SC4495                                     |        |
| Q452        | 8-729-051-92 | TRANSISTOR 2SD2560                                     |        |
| Q453        | 8-729-051-93 | TRANSISTOR 2SB1647                                     |        |
| Q491        | 8-729-026-08 | TRANSISTOR 2SC4495                                     |        |
| Q502        | 8-729-051-92 | TRANSISTOR 2SD2560                                     |        |
| Q503        | 8-729-051-93 | TRANSISTOR 2SB1647                                     |        |
| Q531        | 8-729-026-08 | TRANSISTOR 2SC4495                                     |        |
| Q552        | 8-729-051-92 | TRANSISTOR 2SD2560                                     |        |
| Q553        | 8-729-051-93 | TRANSISTOR 2SB1647                                     |        |
| Q581        | 8-729-026-08 | TRANSISTOR 2SC4495                                     |        |
| Q602        | 8-729-051-92 | TRANSISTOR 2SD2560                                     |        |
| Q603        | 8-729-051-93 | TRANSISTOR 2SB1647                                     |        |
| Q631        | 8-729-026-08 | TRANSISTOR 2SC4495                                     |        |
| Q652        | 8-729-051-92 | TRANSISTOR 2SD2560                                     |        |
| Q653        | 8-729-051-93 | TRANSISTOR 2SB1647                                     |        |
| Q681        | 8-729-026-08 | TRANSISTOR 2SC4495                                     |        |
| △T901       | 1-437-683-11 | TRANSFORMER, POWER (US, CND)                           |        |
| △T901       | 1-437-686-11 | TRANSFORMER, POWER (E)                                 |        |
| △T901       | 1-437-687-11 | TRANSFORMER, POWER (AEP, UK, SP, MY, KR)               |        |
| TU301       | 1-693-577-21 | TUNER (US, CND, E)                                     |        |
| TU301       | 1-693-578-21 | TUNER (AEP, UK)  |        |
| TU301       | 1-693-580-21 | TUNER (SP, MY, KR)                                     |        |
| *****       |              |  |        |
| ACCESSORIES |              |  |        |
| *****       |              |  |        |
|             | 1-477-124-11 | COMMANDER, STANDARD (RM-PG411) (DA2ES)                 |        |
|             | 1-477-333-11 | REMOTE COMMANDER (RM-LP211) (DB1080)                   |        |
|             | 1-501-374-11 | ANTENNA, LOOP (AM)                                     |        |
|             | 1-501-594-13 | ANTENNA (FM) (DB1080: AEP, UK, SP, MY, KR)             |        |
| △           | 1-569-008-21 | ADAPTOR, CONVERSION (E)                                |        |
| △           | 1-770-019-51 | ADAPTOR, CONVERSION PLUG (UK)                          |        |
|             | 1-777-172-11 | CORD, CONNECTION (CONTROL S CORD) (MINI JACK) (DA2ES)  |        |
|             | 1-777-560-11 | CORD, CONNECTION (AUDIO/VIDEO/CONTROL S CORD) (DA2ES)  |        |

The components identified by mark △ or dotted line with mark △ are critical for safety. Replace only with part number specified.

Les composants identifiés par une marque △ sont critiques pour la sécurité. Ne les remplacer que par une pièce portant le numéro spécifié.

| Ref. No.     | Part No. | Description  | Remark | Ref. No.     | Part No. | Description   | Remark |
|--------------|----------|--|--------|--------------|----------|---|--------|
| 1-793-184-21 |          | CONNECTOR (F TYPE ADAPTOR)<br>(DA2ES/DB1080: E)                        |        | 4-241-688-21 |          | MANUAL, INSTRUCTION (HUNGARIAN,<br>CZECH) (DB1080: AEP) |        |
| 3-071-119-01 |          | COVER, BATTERY (for RM-PG411) (DA2ES)                                  |        | 4-241-688-31 |          | MANUAL, INSTRUCTION (TURKISH)<br>(DB1080: AEP)          |        |
| 4-241-478-01 |          | COVER, BATTERY (for RM-LP211) (DB1080)                                 |        | 4-241-688-41 |          | MANUAL, INSTRUCTION (SLOVAKIAN)<br>(DB1080: AEP)        |        |
| 4-241-669-11 |          | MANUAL, INSTRUCTION (ENGLISH) (DA2ES)                                  |        |              |          |   |        |
| 4-241-669-21 |          | MANUAL, INSTRUCTION (FRENCH)<br>(DA2ES: CND)                           |        |              |          |   |        |
| 4-241-670-11 |          | MANUAL, INSTRUCTION (ENGLISH)<br>(DB1080: AEP, UK, E, SP, MY)          |        |              |          |   |        |
| 4-241-670-21 |          | MANUAL, INSTRUCTION (FRENCH)<br>(DB1080: AEP, E, SP, MY)               |        |              |          |   |        |
| 4-241-670-31 |          | MANUAL, INSTRUCTION (SPANISH)<br>(DB1080: AEP, E, SP, MY)              |        |              |          |   |        |
| 4-241-670-41 |          | MANUAL, INSTRUCTION (GERMAN, DUTCH,<br>SWEDISH) (DB1080: AEP)          |        |              |          |   |        |
| 4-241-670-51 |          | MANUAL, INSTRUCTION (ITALIAN, POLISH)<br>(DB1080: AEP)                 |        |              |          |   |        |
| 4-241-670-61 |          | MANUAL, INSTRUCTION<br>(TRADITIONAL CHINESE) (DB1080: E, SP, MY)       |        |              |          |   |        |
| 4-241-670-71 |          | MANUAL, INSTRUCTION (KOREAN)<br>(DB1080: KR)                           |        |              |          |   |        |
| 4-241-671-11 |          | MANUAL, INSTRUCTION (PORTUGUESE)<br>(DB1080: AEP)                      |        |              |          |   |        |
| 4-241-671-21 |          | MANUAL, INSTRUCTION (DANISH, FINNISH)<br>(DB1080: AEP)                 |        |              |          |   |        |
| 4-241-671-31 |          | MANUAL, INSTRUCTION (RUSSIAN)<br>(DB1080: AEP)                         |        |              |          |   |        |
| 4-241-675-11 |          | MANUAL, INSTRUCTION (ENGLISH)<br>(DB1080: AEP, UK, E, SP, MY)          |        |              |          |   |        |
| 4-241-675-21 |          | MANUAL, INSTRUCTION (FRENCH)<br>(DB1080: AEP, E, SP, MY)               |        |              |          |   |        |
| 4-241-675-31 |          | MANUAL, INSTRUCTION (SPANISH)<br>(DB1080: AEP, E, SP, MY)              |        |              |          |   |        |
| 4-241-675-41 |          | MANUAL, INSTRUCTION (GERMAN, DUTCH,<br>SWEDISH) (DB1080: AEP)          |        |              |          |   |        |
| 4-241-675-51 |          | MANUAL, INSTRUCTION (ITALIAN, POLISH)<br>(DB1080: AEP)                 |        |              |          |   |        |
| 4-241-675-61 |          | MANUAL, INSTRUCTION<br>(TRADITIONAL CHINESE) (DB1080: E, SP, MY)       |        |              |          |   |        |
| 4-241-675-71 |          | MANUAL, INSTRUCTION (KOREAN)<br>(DB1080: KR)                           |        |              |          |   |        |
| 4-241-676-11 |          | MANUAL, INSTRUCTION (for RM-LP211)<br>(PORTUGUESE) (DB1080: AEP)       |        |              |          |   |        |
| 4-241-676-21 |          | MANUAL, INSTRUCTION (for RM-LP211)<br>(DANISH, FINNISH) (DB1080: AEP)  |        |              |          |   |        |
| 4-241-676-31 |          | MANUAL, INSTRUCTION (for RM-LP211)<br>(RUSSIAN) (DB1080: AEP)          |        |              |          |   |        |
| 4-241-677-11 |          | MANUAL, INSTRUCTION (for RM-PG411)<br>(ENGLISH) (DA2ES: US)            |        |              |          |   |        |
| 4-241-677-21 |          | MANUAL, INSTRUCTION (for RM-PG411)<br>(FRENCH) (DA2ES: CND)            |        |              |          |   |        |
| 4-241-679-11 |          | MANUAL, INSTRUCTION (for RM-LP211)<br>(GREEK) (DB1080: AEP)            |        |              |          |   |        |
| 4-241-679-21 |          | MANUAL, INSTRUCTION (for RM-LP211)<br>(HUNGARIAN, CZECH) (DB1080: AEP) |        |              |          |   |        |
| 4-241-679-31 |          | MANUAL, INSTRUCTION (for RM-LP211)<br>(TURKISH) (DB1080: AEP)          |        |              |          |   |        |
| 4-241-679-41 |          | MANUAL, INSTRUCTION (for RM-LP211)<br>(SLOVAKIAN) (DB1080: AEP)        |        |              |          |   |        |
| 4-241-688-11 |          | MANUAL, INSTRUCTION (GREEK)<br>(DB1080: AEP)                           |        |              |          |   |        |

